
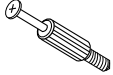
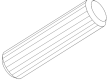



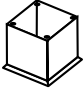

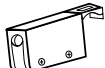
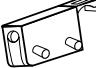
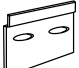



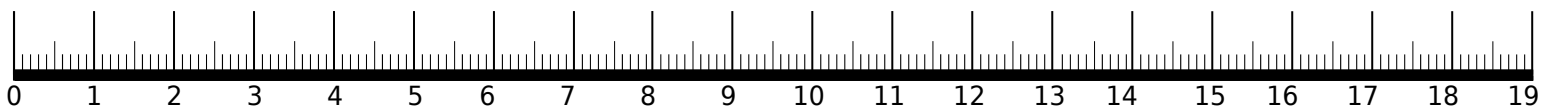
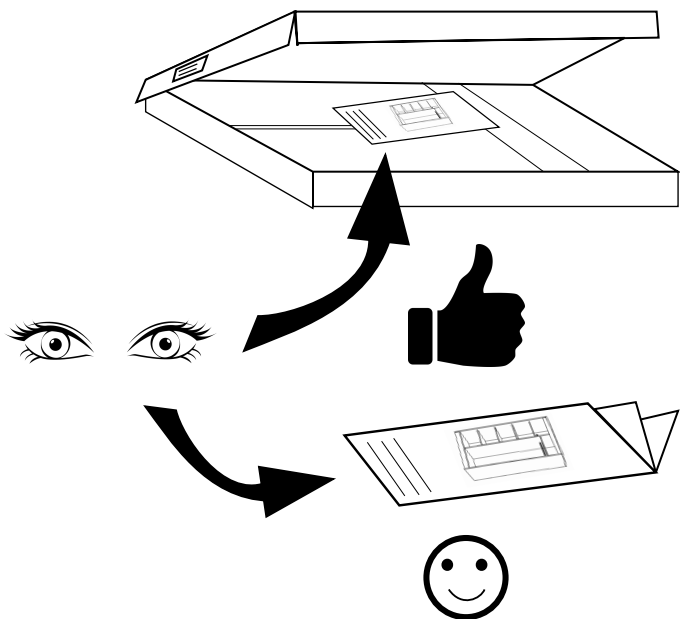
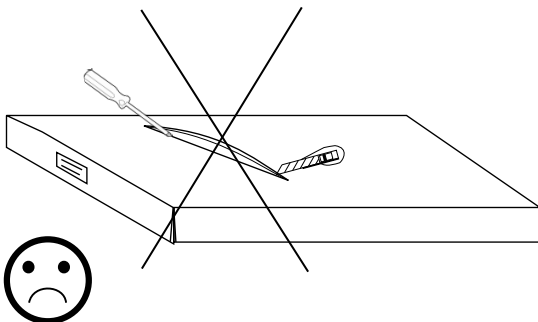
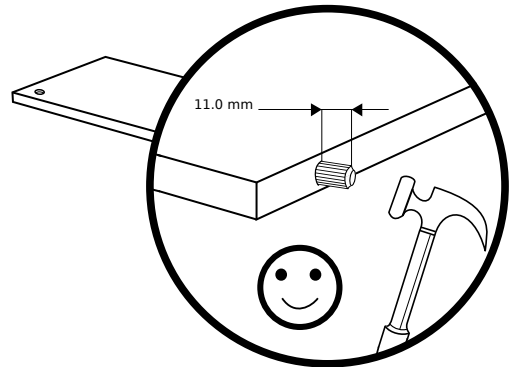
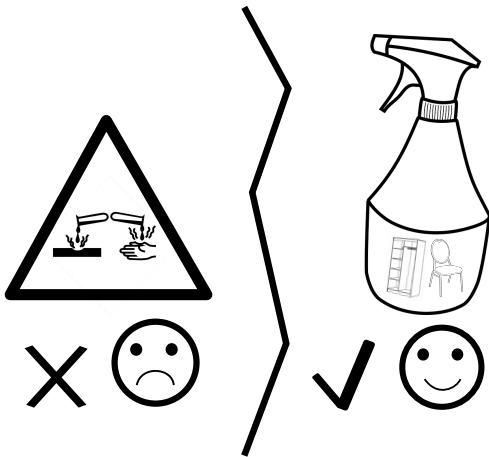
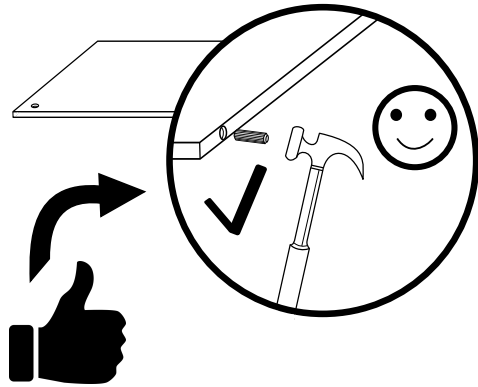
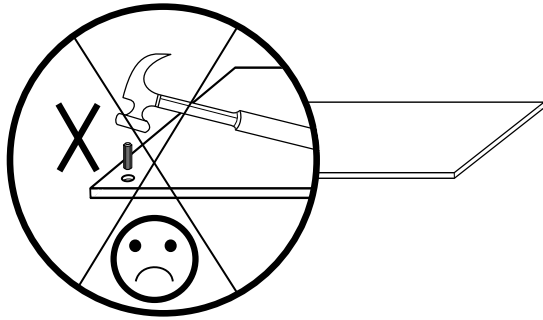
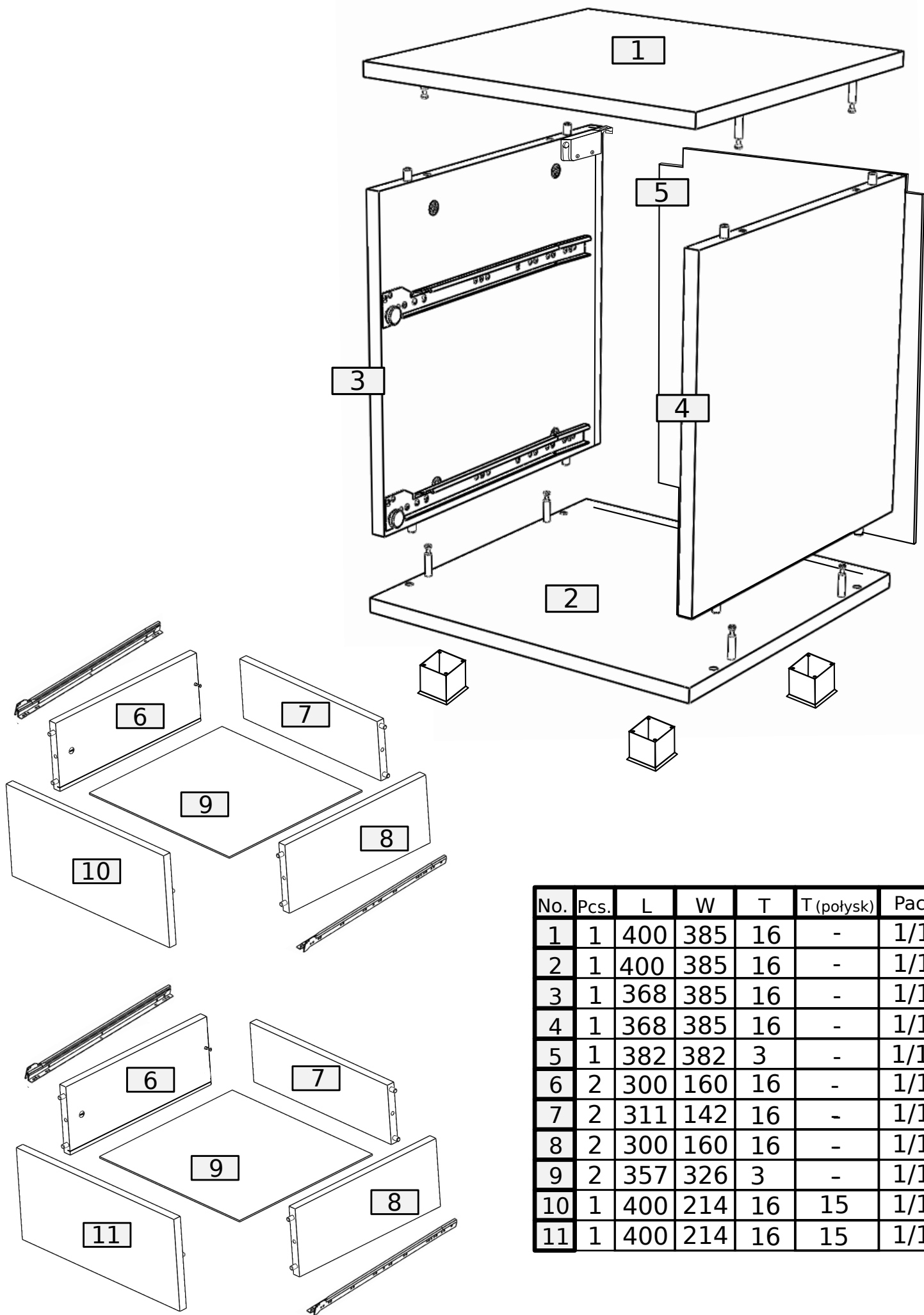


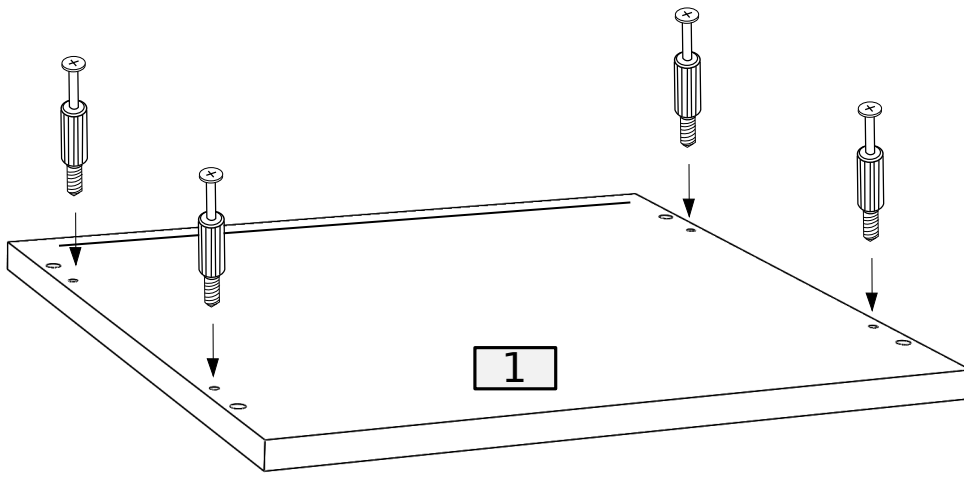
16	16	24	4	8	4	4
						
B	A	8.0x35	D 4.0x30	X	I	W
						
3.0x20 H3	LE	RT	W	L-350	3.5x16 H	4.0x40 P
6	1	2	2	16	16	



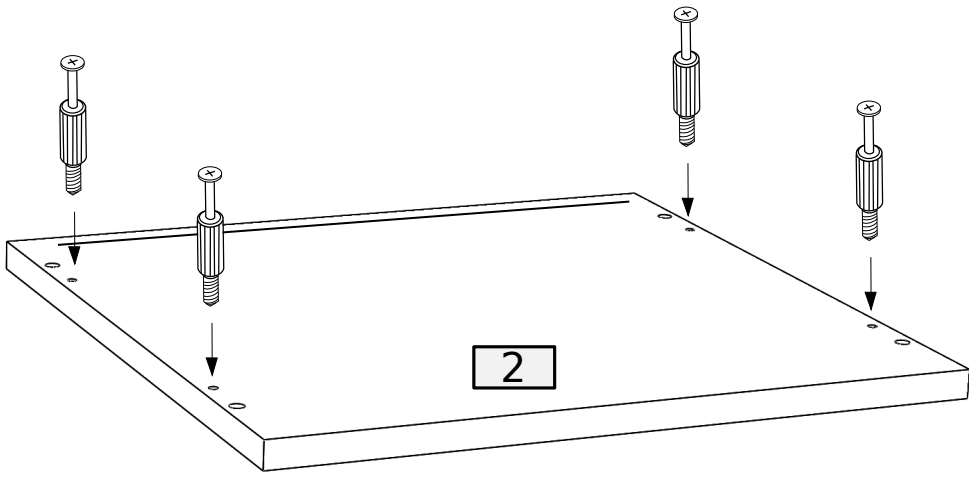


No.	Pcs.	L	W	T	T (potysk)	Pac
1	1	400	385	16	-	1/1
2	1	400	385	16	-	1/1
3	1	368	385	16	-	1/1
4	1	368	385	16	-	1/1
5	1	382	382	3	-	1/1
6	2	300	160	16	-	1/1
7	2	311	142	16	-	1/1
8	2	300	160	16	-	1/1
9	2	357	326	3	-	1/1
10	1	400	214	16	15	1/1
11	1	400	214	16	15	1/1

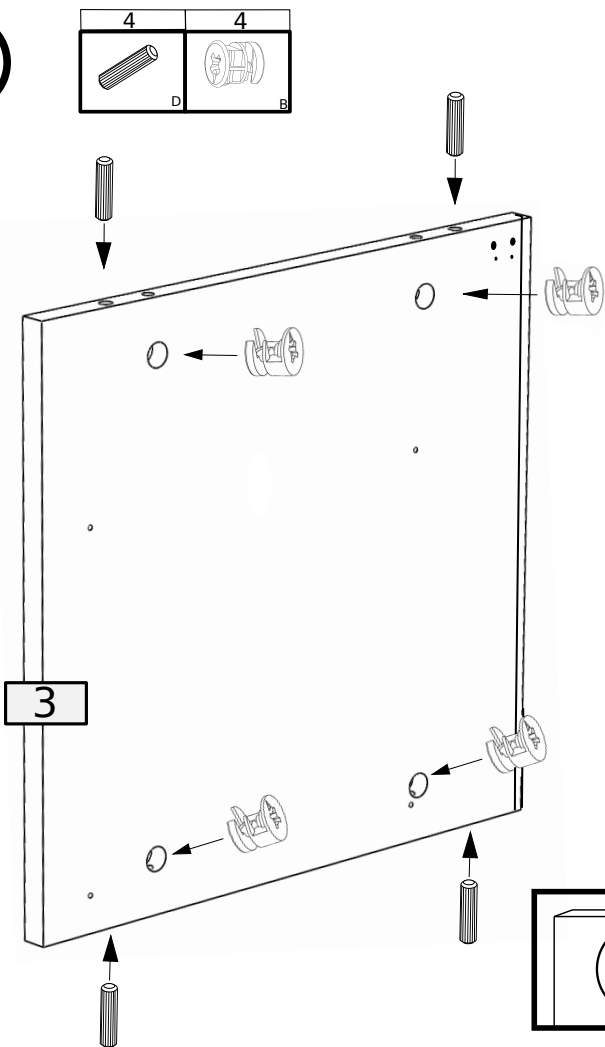
1



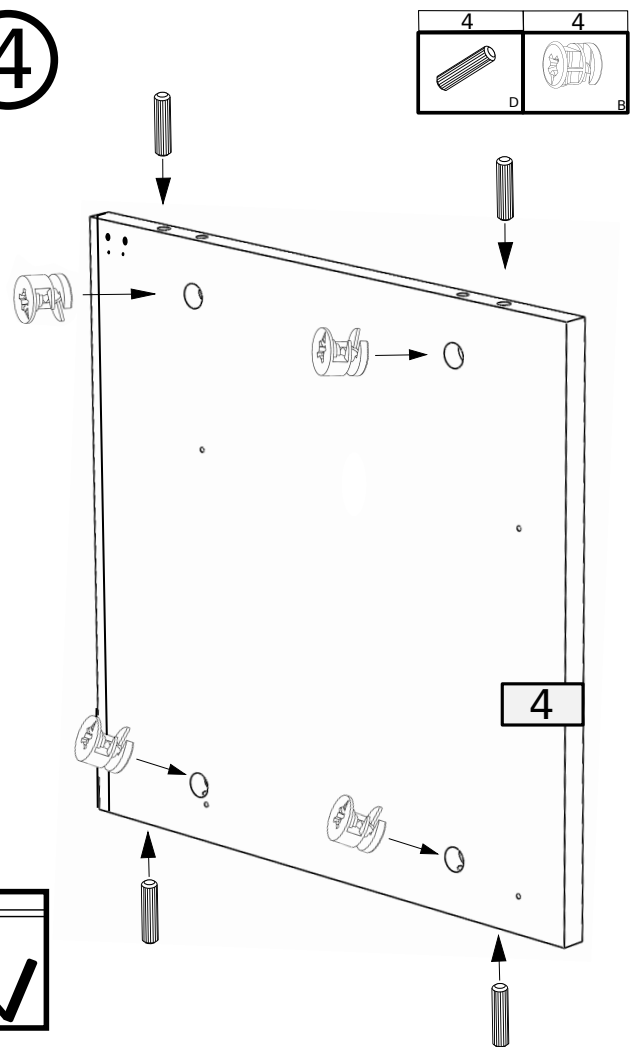
2



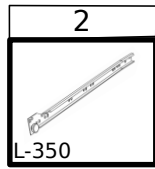
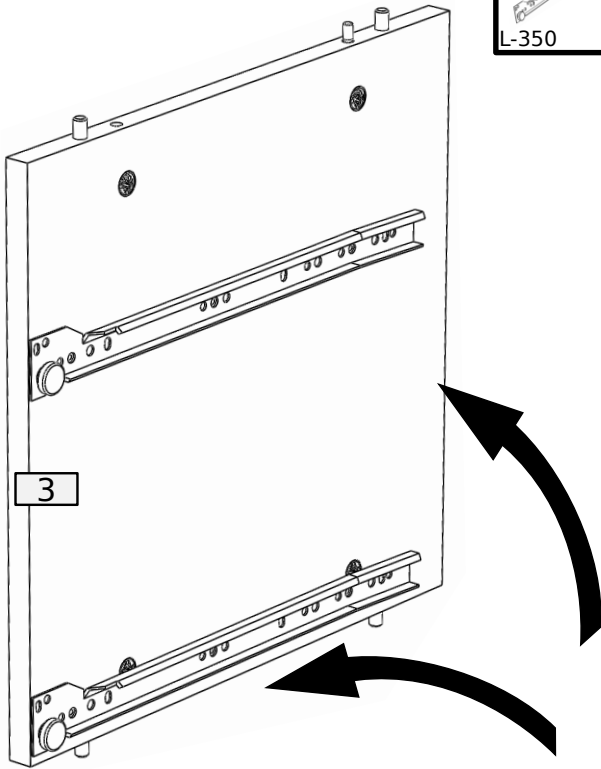
3



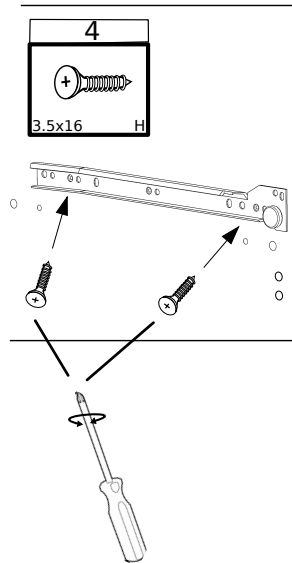
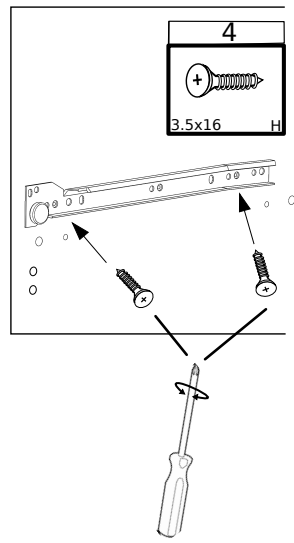
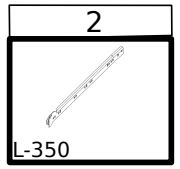
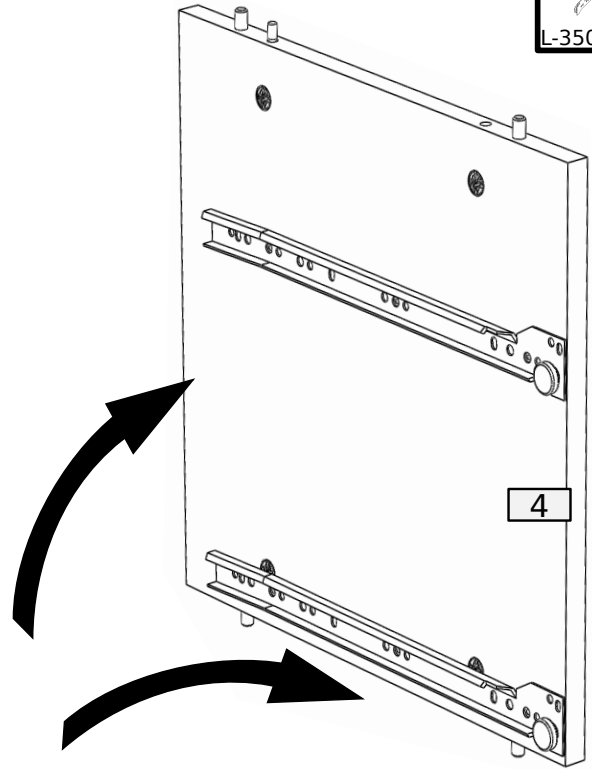
4



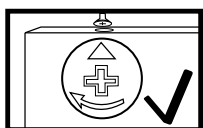
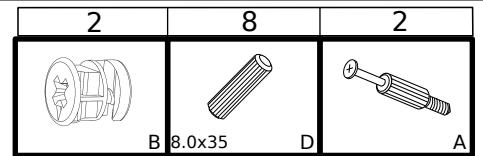
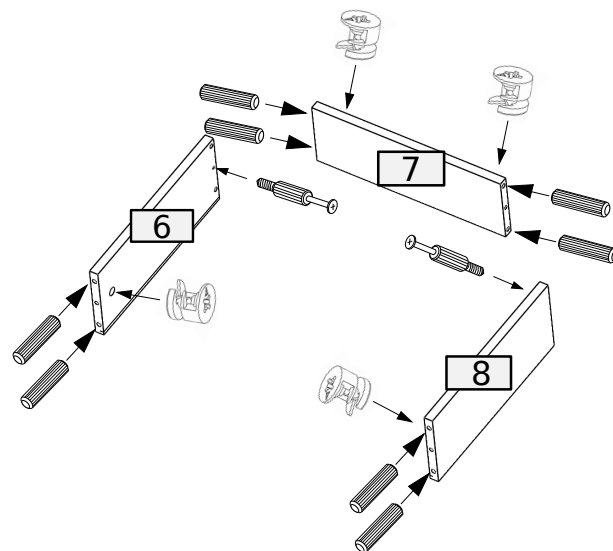
5



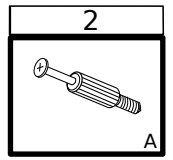
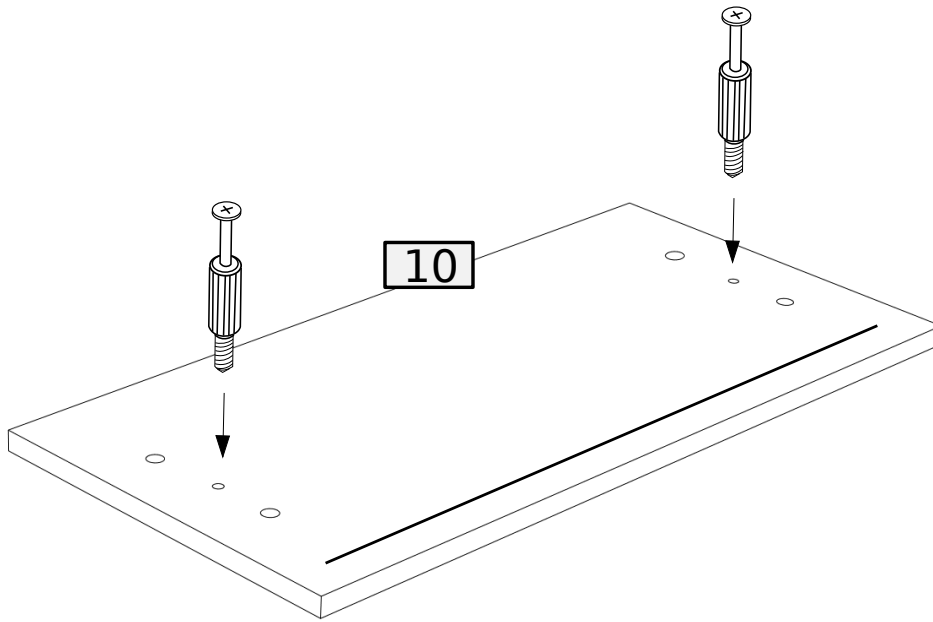
6



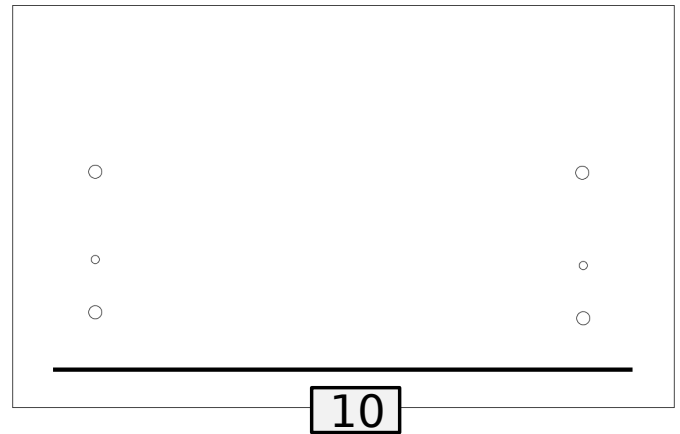
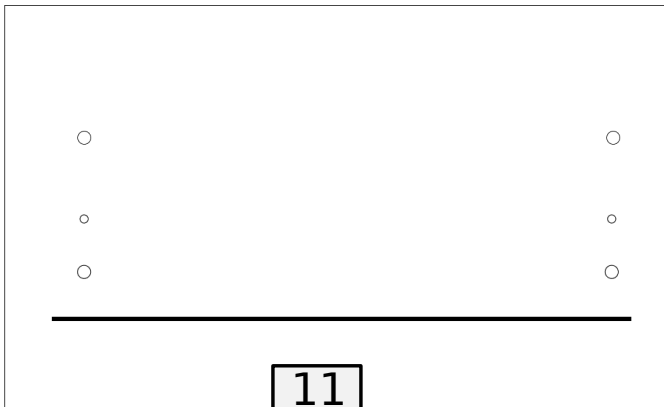
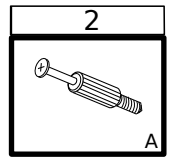
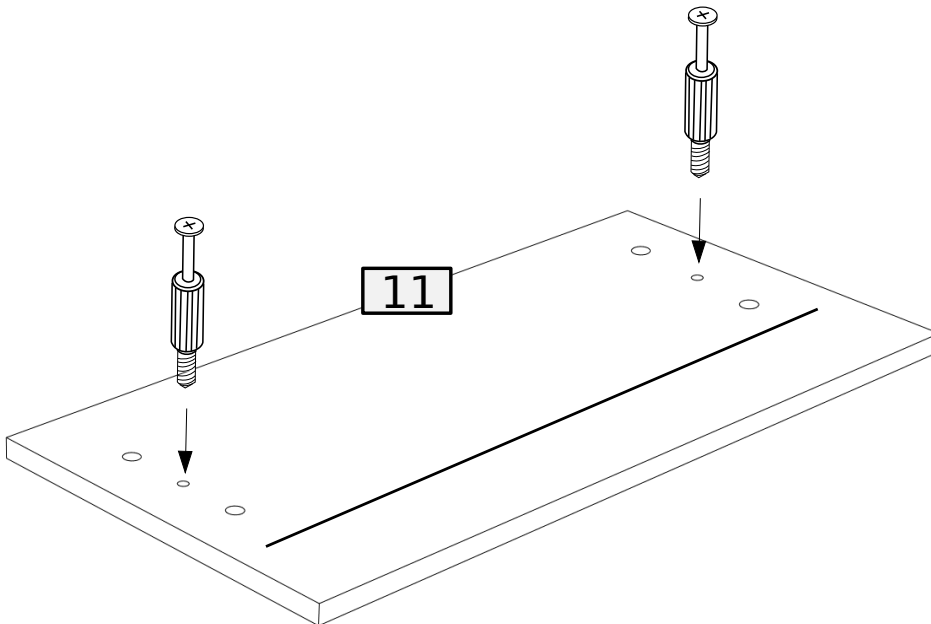
7 x2



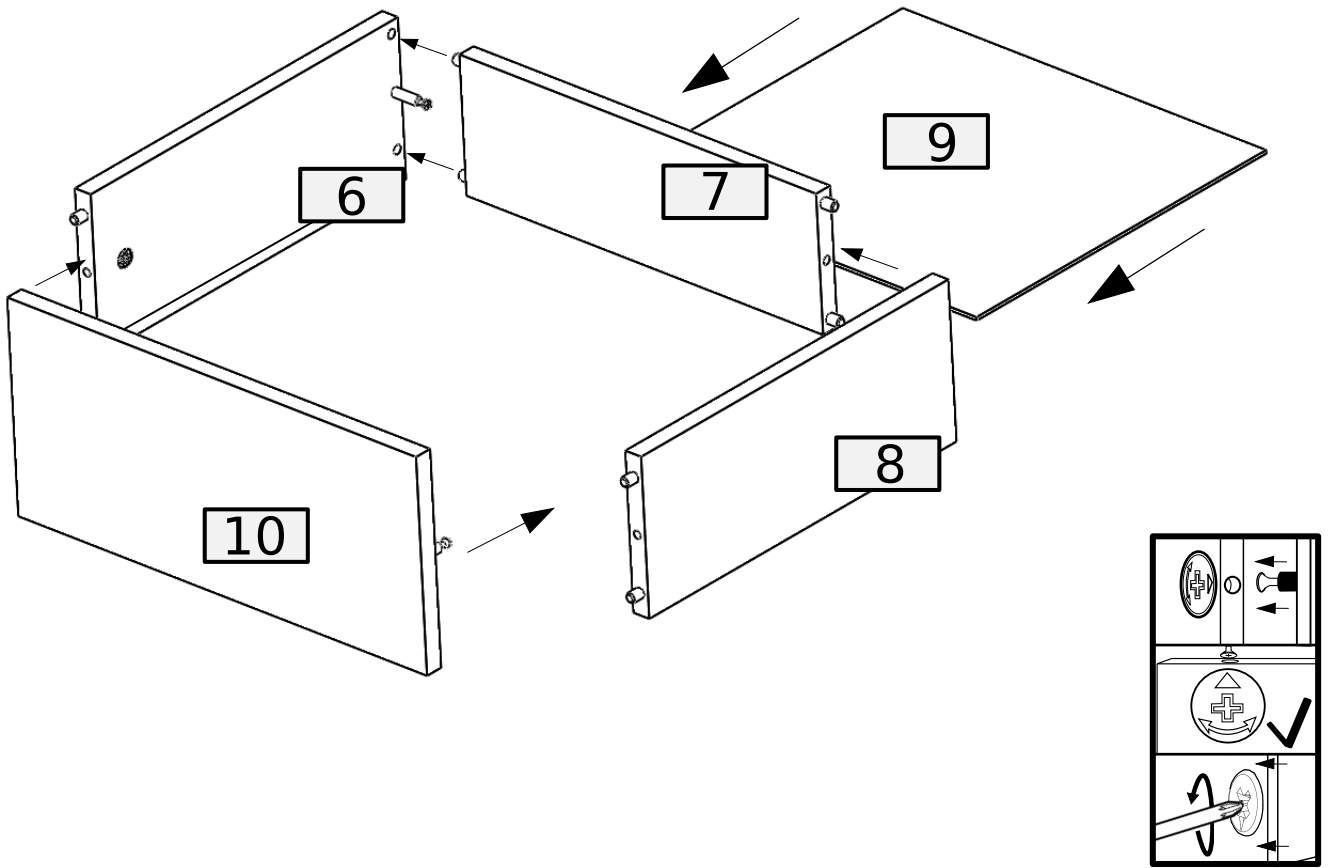
7



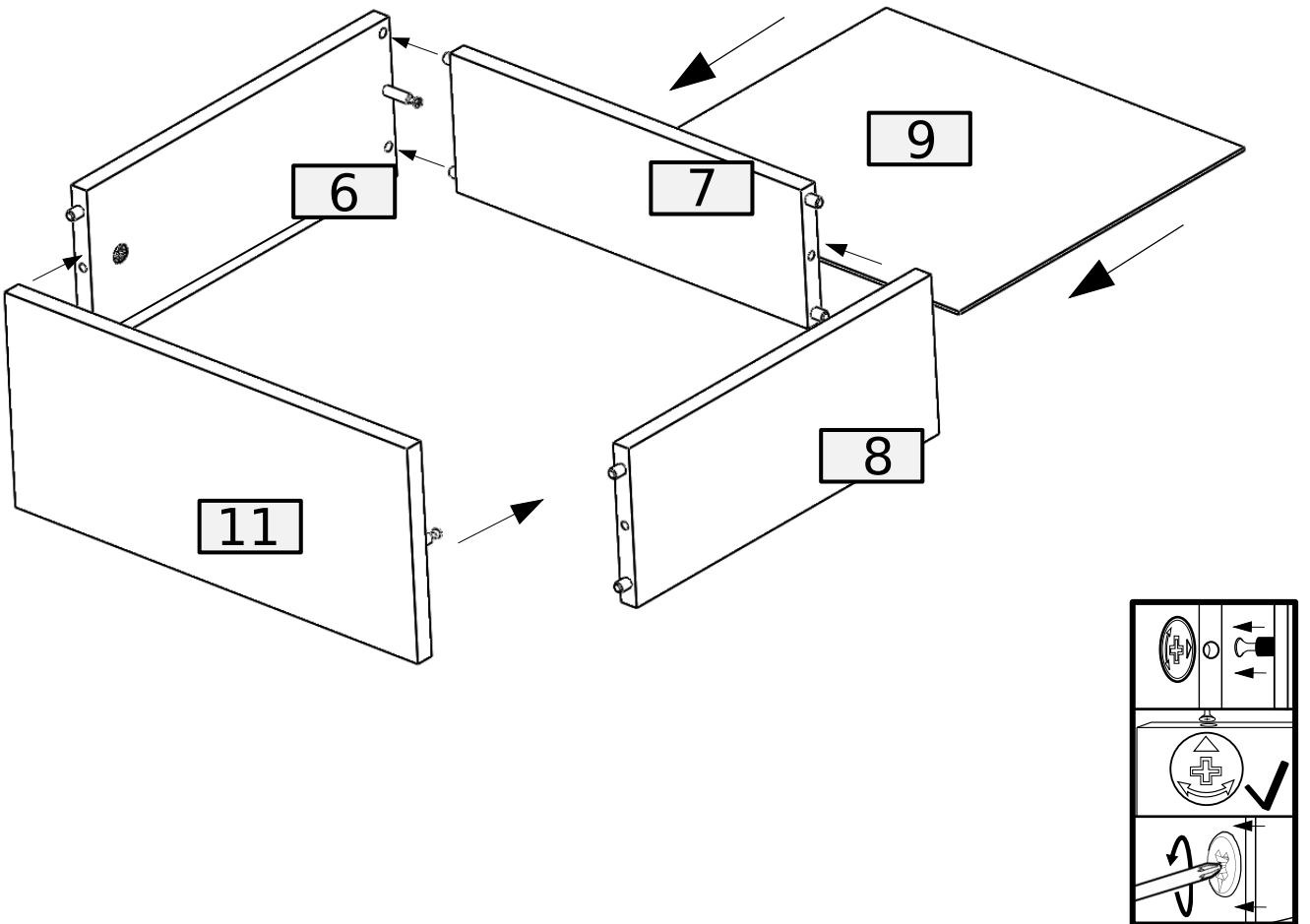
8



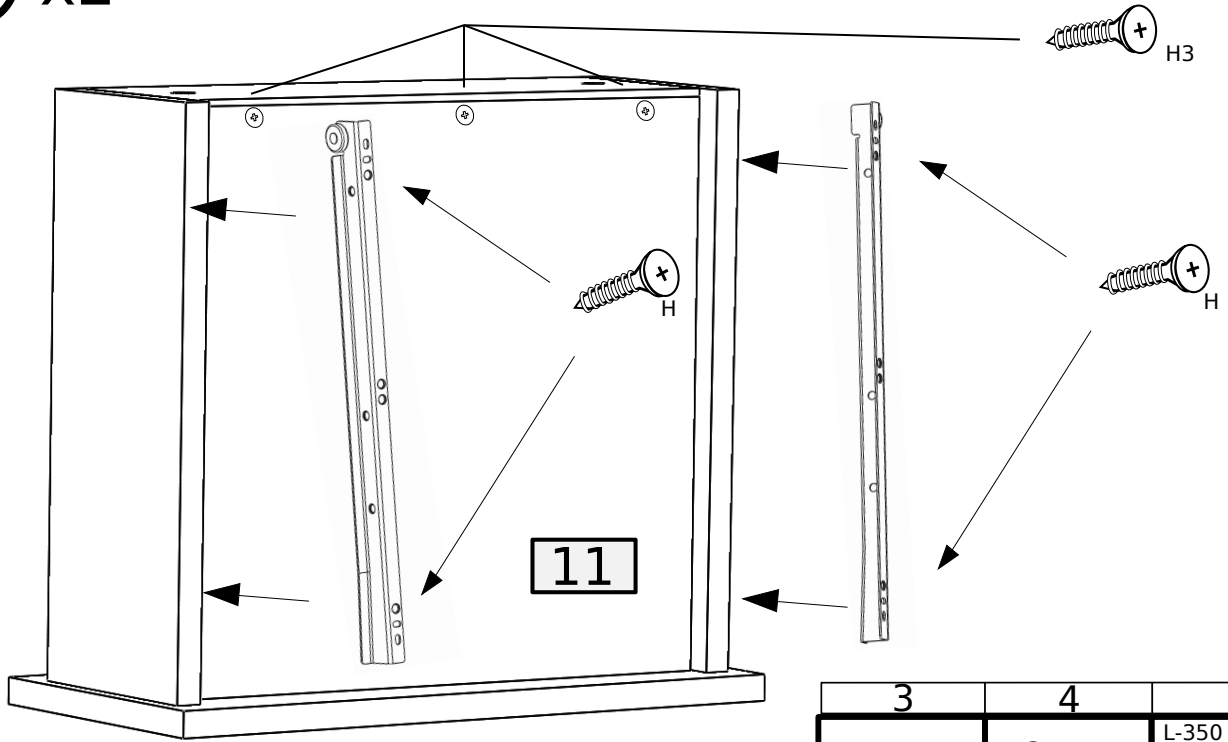
9


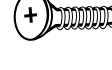



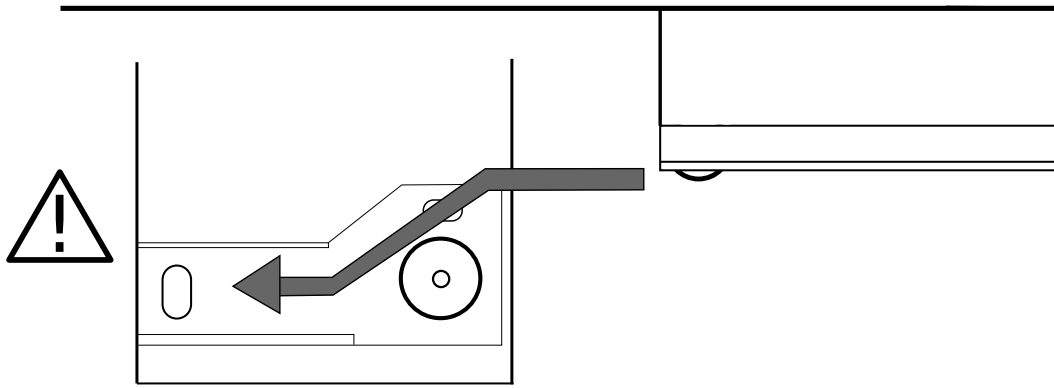
10



11 x2

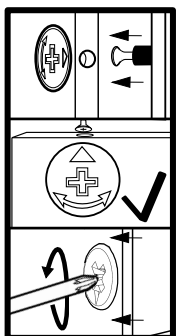
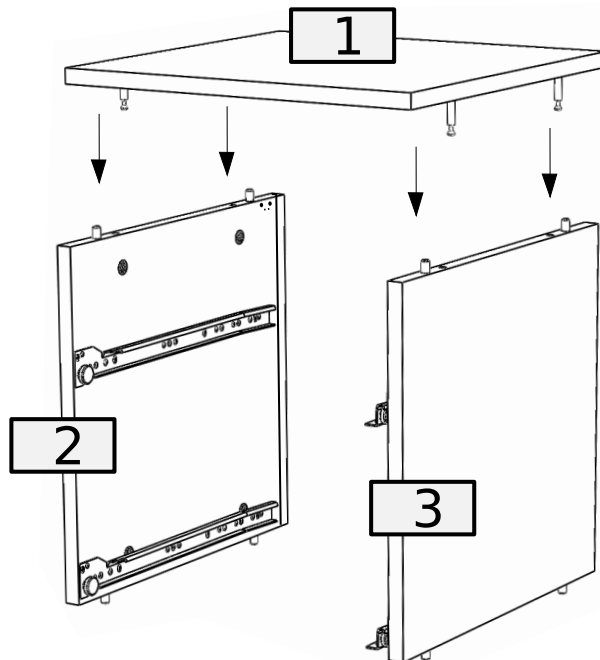


3	4	1
		
3.0x20	H3	3.5x16 H



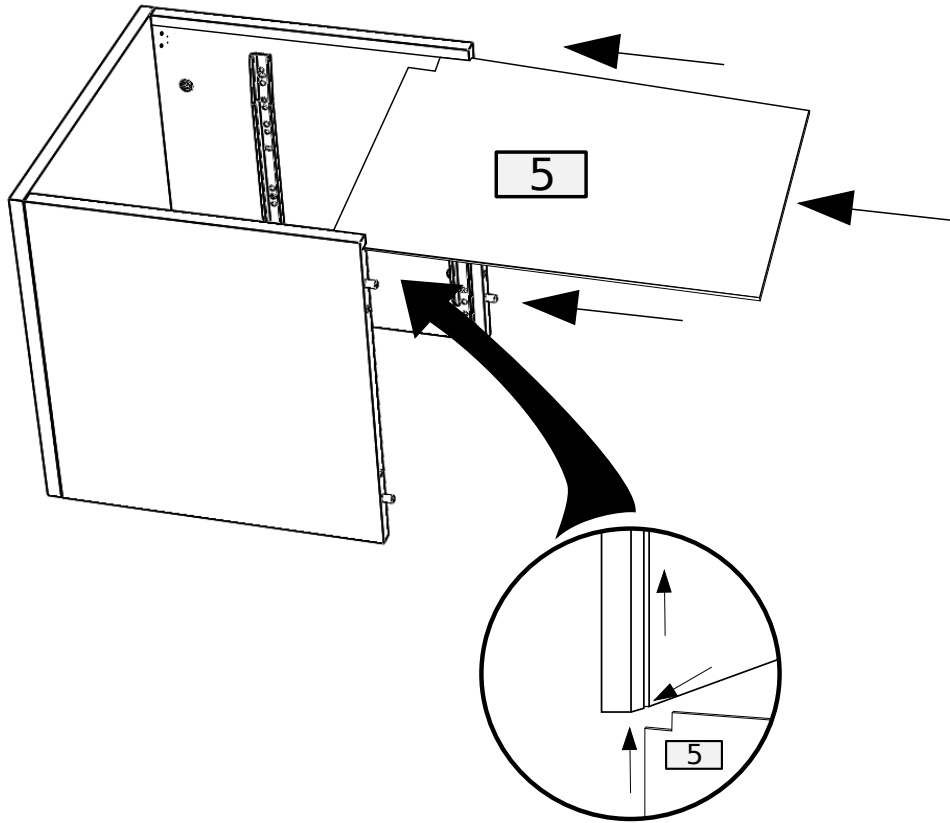
"A"

12

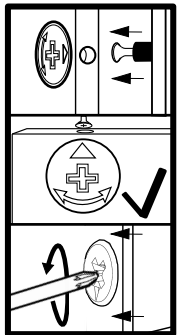
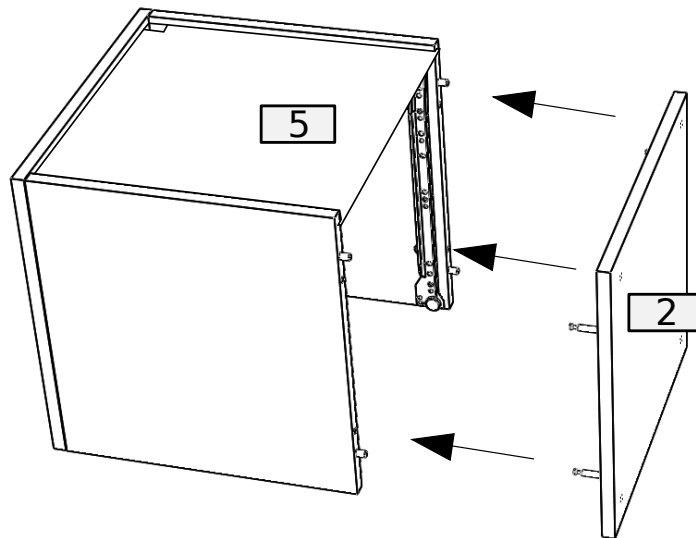


"A"

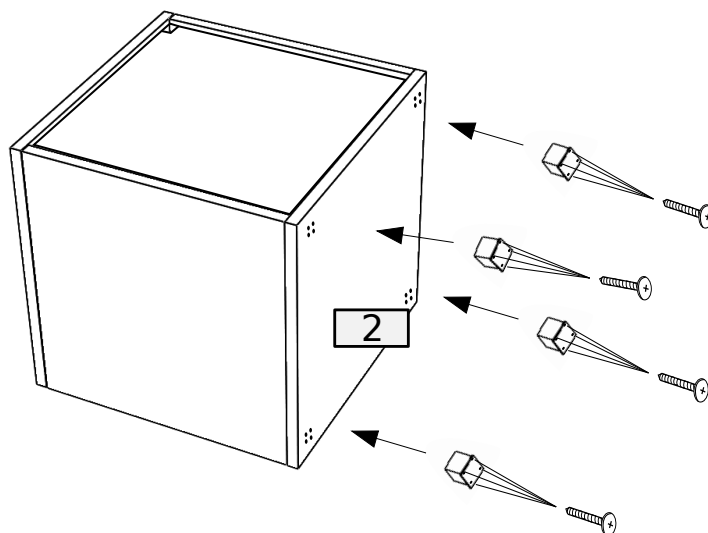
13



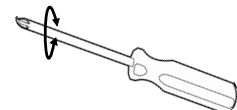
14



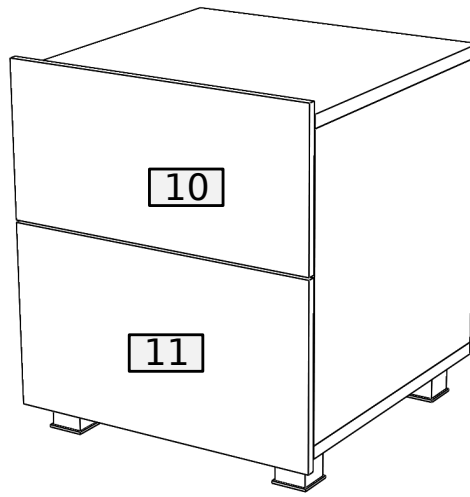
15



4	16
W 4.0x40 P	

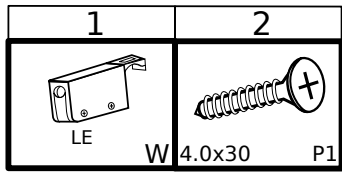


"A"



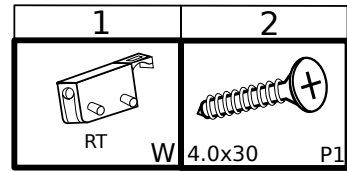
"B"

12

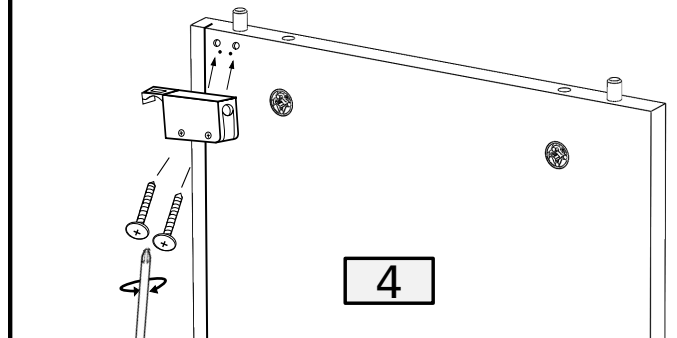
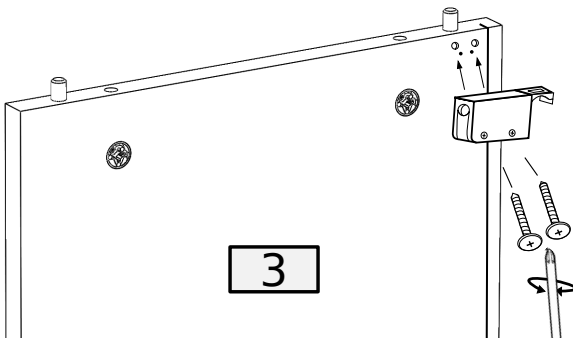


"B"

13

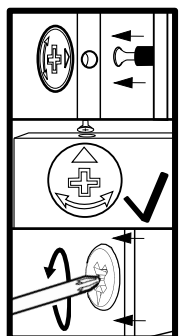
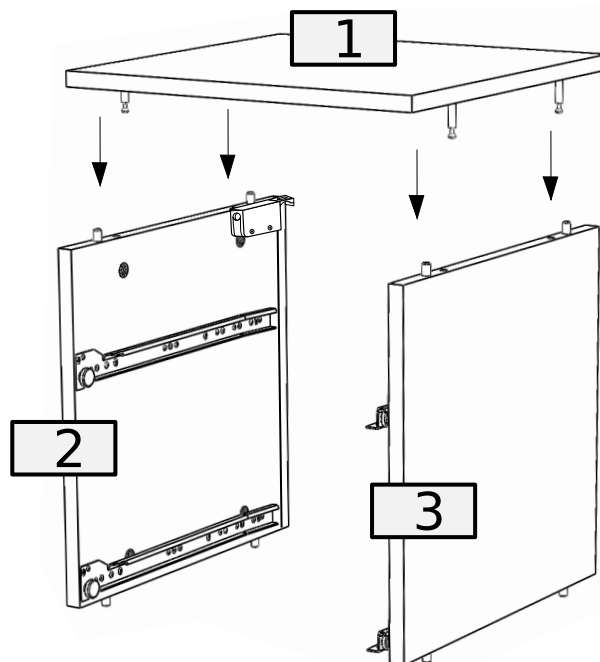


"B"

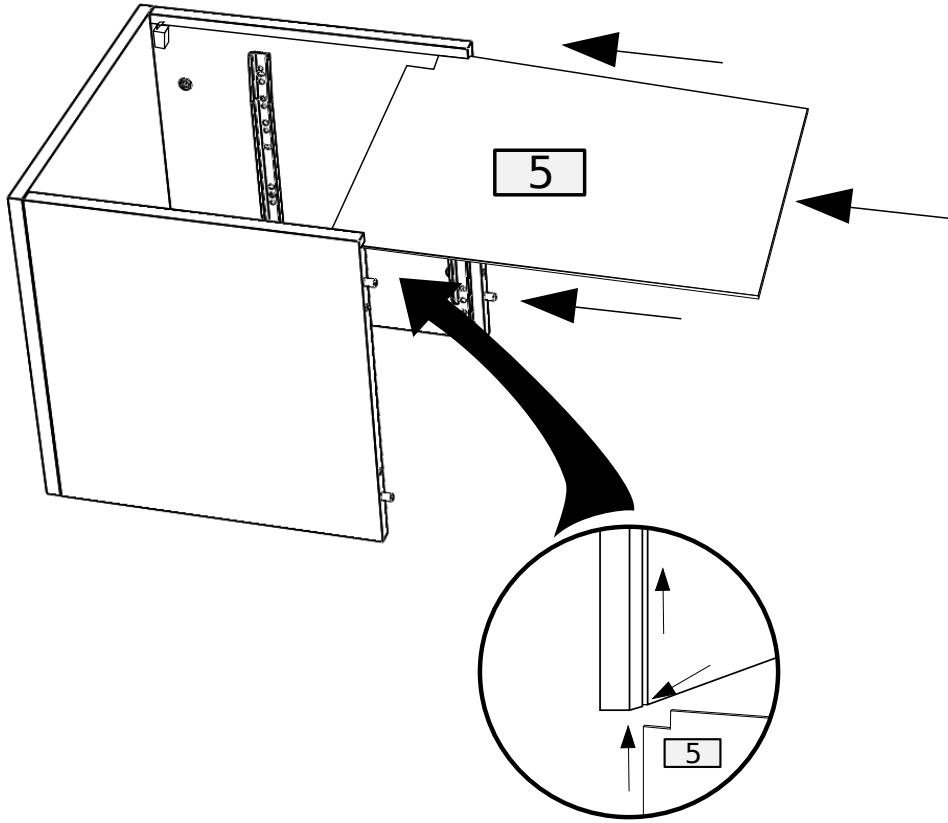


14

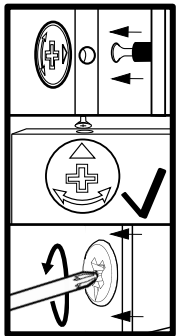
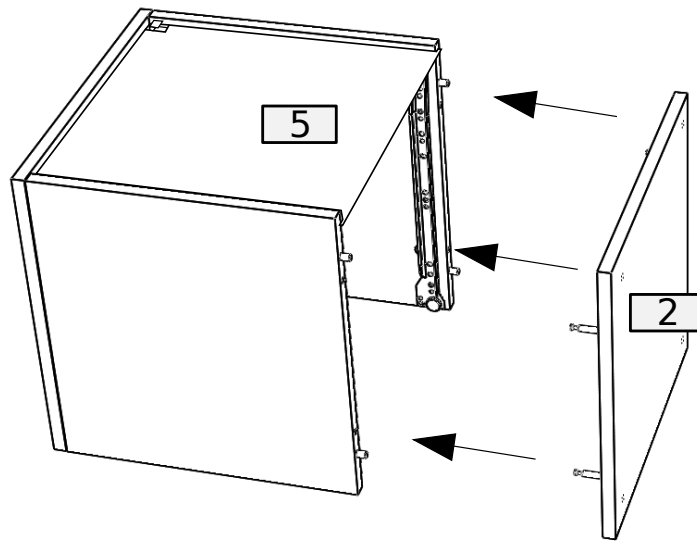
"B"



13



14



15

