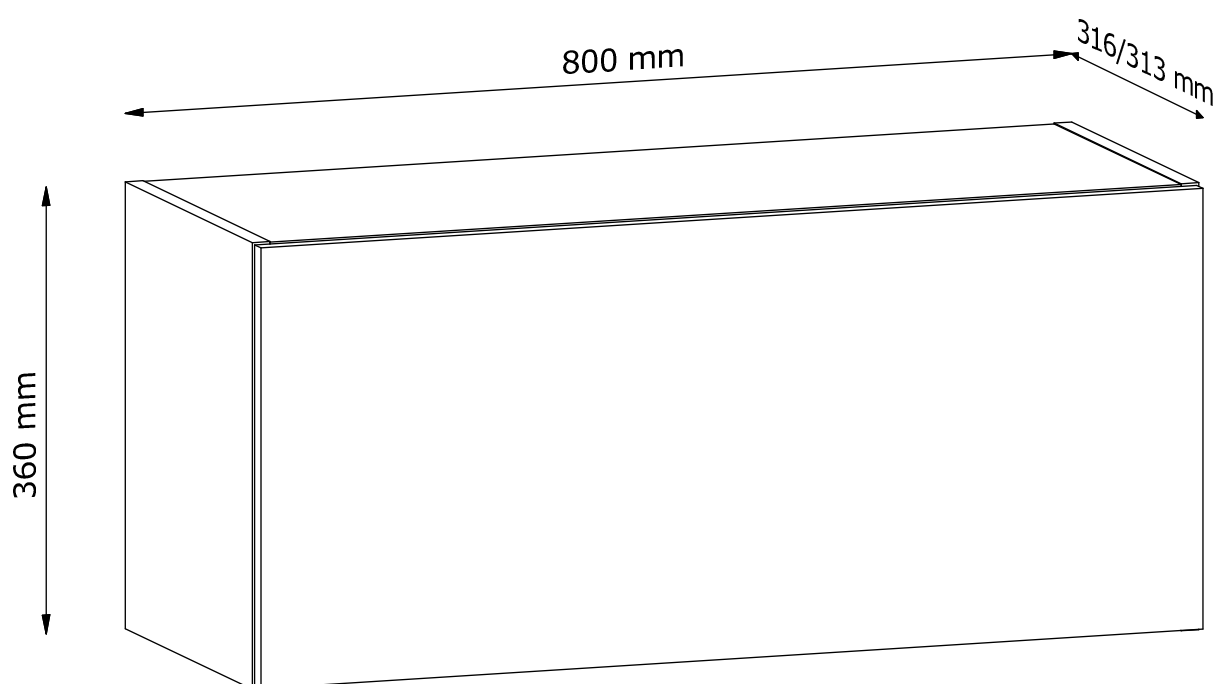
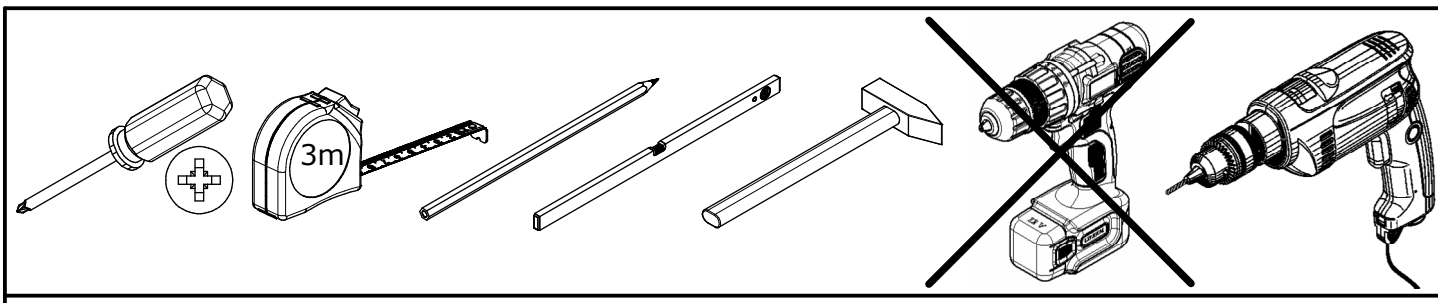


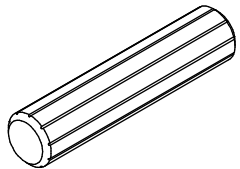
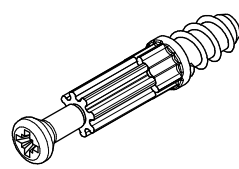
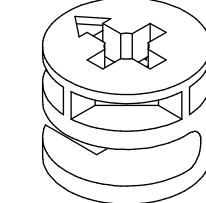
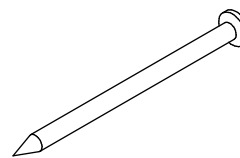
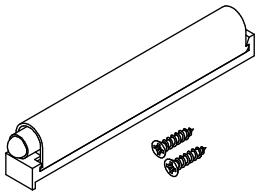
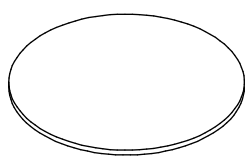
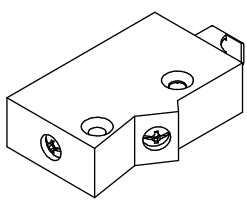
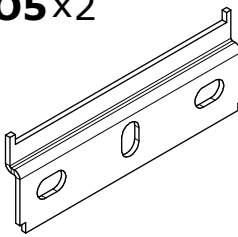
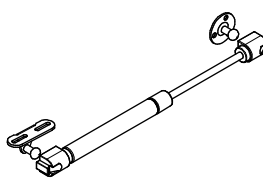
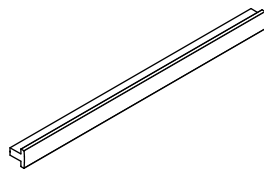
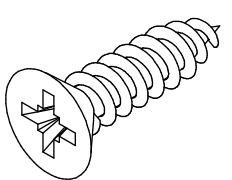
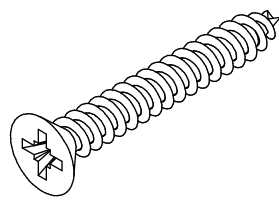

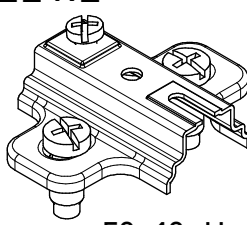
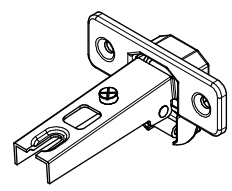
**G80K**

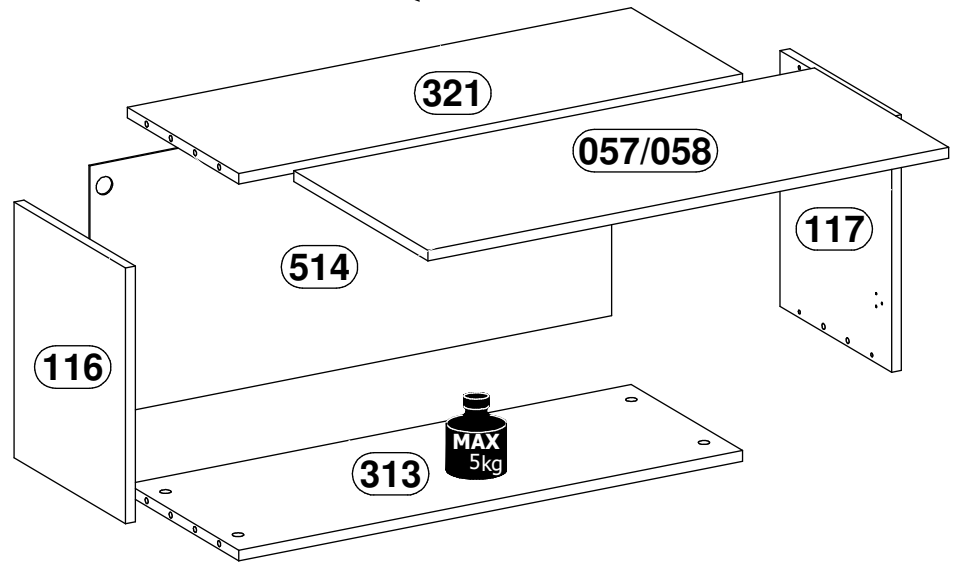
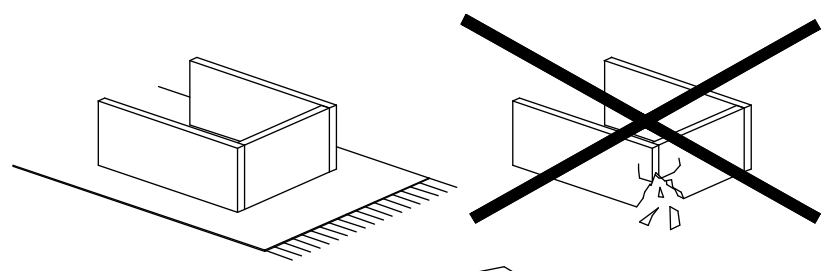
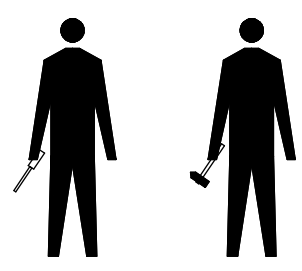


**PL:** INSTRUKCJA MONTAŻU  
**EN:** ASSEMBLY MANUAL  
**CZ:** PŘÍRUČKA PRO MONTÁŽ  
**SK:** PRÍRUČKA PRE MONTÁŽ  
**DE:** MONTAGEANLEITUNG  
**SR:** UPUTSTVO ZA INSTALACIJU  
**NL:** MONTAGE-INSTRUCTIES

07.07.2020 - Rev. 1



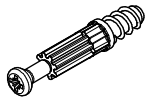
<b>A1 x 8</b>  $\varnothing 8 \times 35 \text{mm}$	<b>B1 x 8</b>  $\varnothing 5 \times 38 \text{mm}$	<b>C1 x 8</b>  $\varnothing 15 \times 12 \text{mm}$	<b>G1 x 24</b>  26mm	<b>I15 x 2</b>  $86 \times 16 \times 10 \text{mm}$
<b>J10 x 8</b>  $\varnothing 21 \text{mm}$	<b>O1 x 2</b>  $70 \times 39 \times 18 \text{mm}$	<b>O5 x 2</b>  $76 \times 32 \times 6 \text{mm}$	<b>Q1 x 1</b>  270mm	<b>U19 x 1</b>  300mm
<b>W2 x 9</b>  $\varnothing 3,5 \times 16 \text{mm}$	<b>W5 x 6</b>  $\varnothing 4 \times 30 \text{mm}$	<b>Y1 x 2</b>  $\varnothing 8 \times 1,5 \text{mm}$	<b>Z1 x 2</b>  $50 \times 40, H=2$	<b>Z3 x 2</b>  $\varnothing 35, ZK0$



No.	L[mm]	W[mm]	H[mm]	PCS	BOX
057/058	796	355	15/18	1	2/2
116	360	295	15	1	1/2
117	360	295	15	1	1/2
313	770	295	15	1	1/2
321	770	295	15	1	1/2
514	797	356	2,5	1	1/2

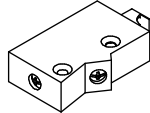
**1**

**B1 x8**



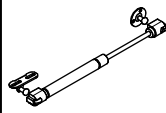
Ø5x38mm

**O1 x2**



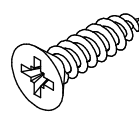
70x39x18mm

**Q1 x1**



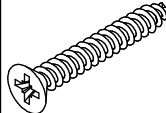
270mm

**W2 x3**

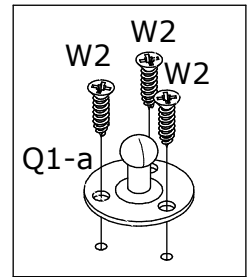
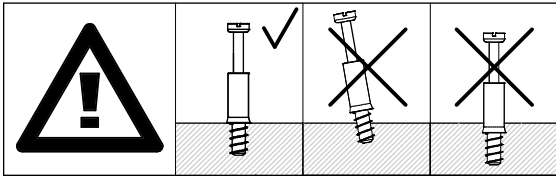
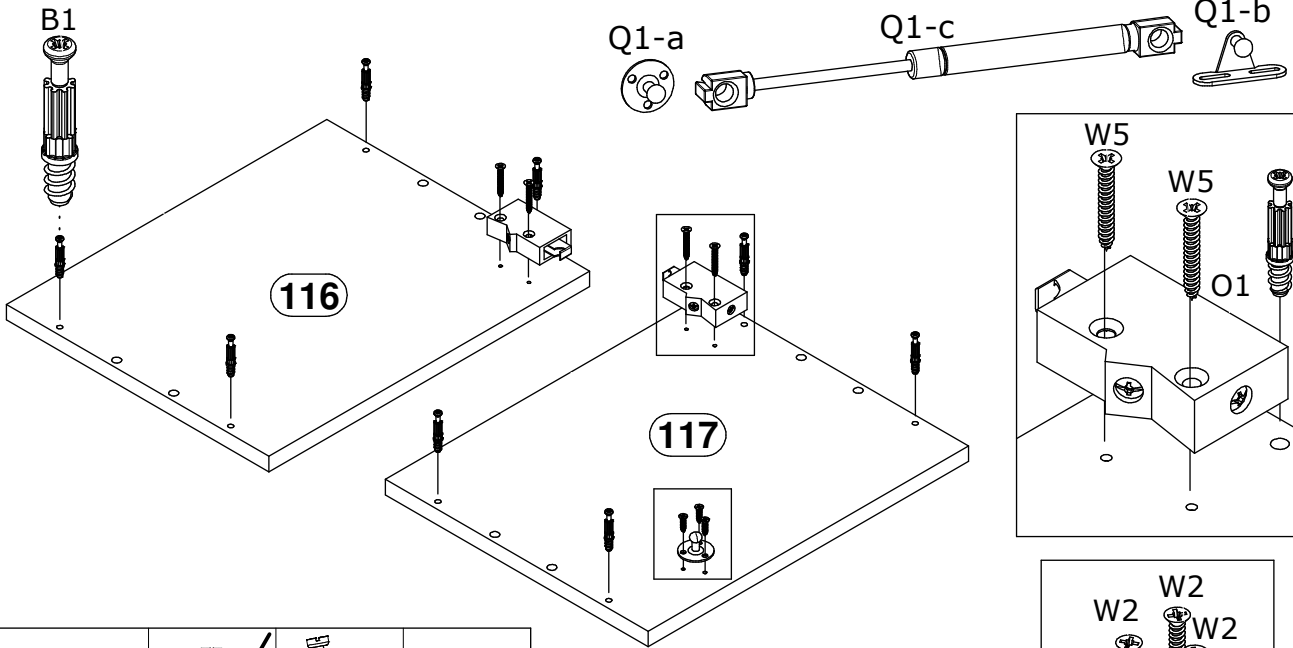
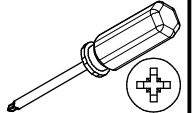


Ø3,5x16mm

**W5 x4**

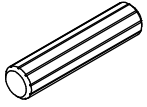


Ø4x30mm



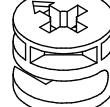
**2**

**A1 x8**



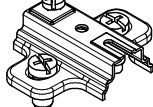
Ø8x35mm

**C1 x8**

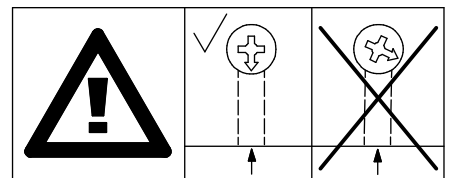
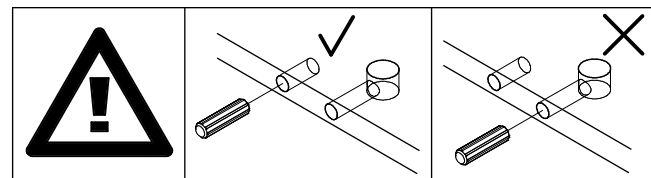
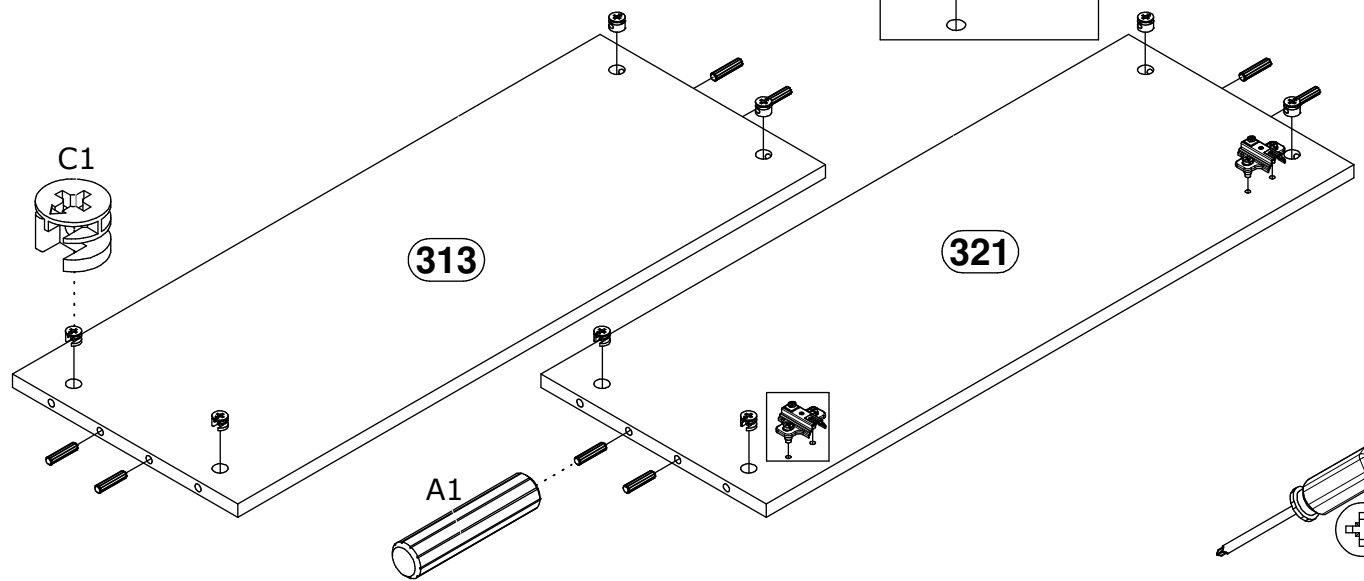
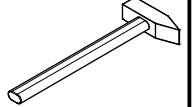
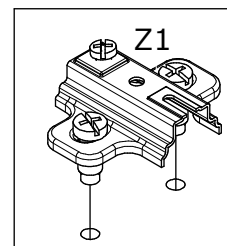


Ø15x12mm

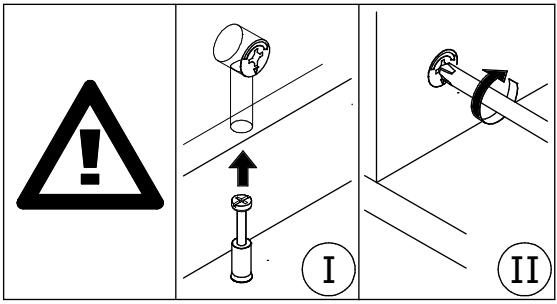
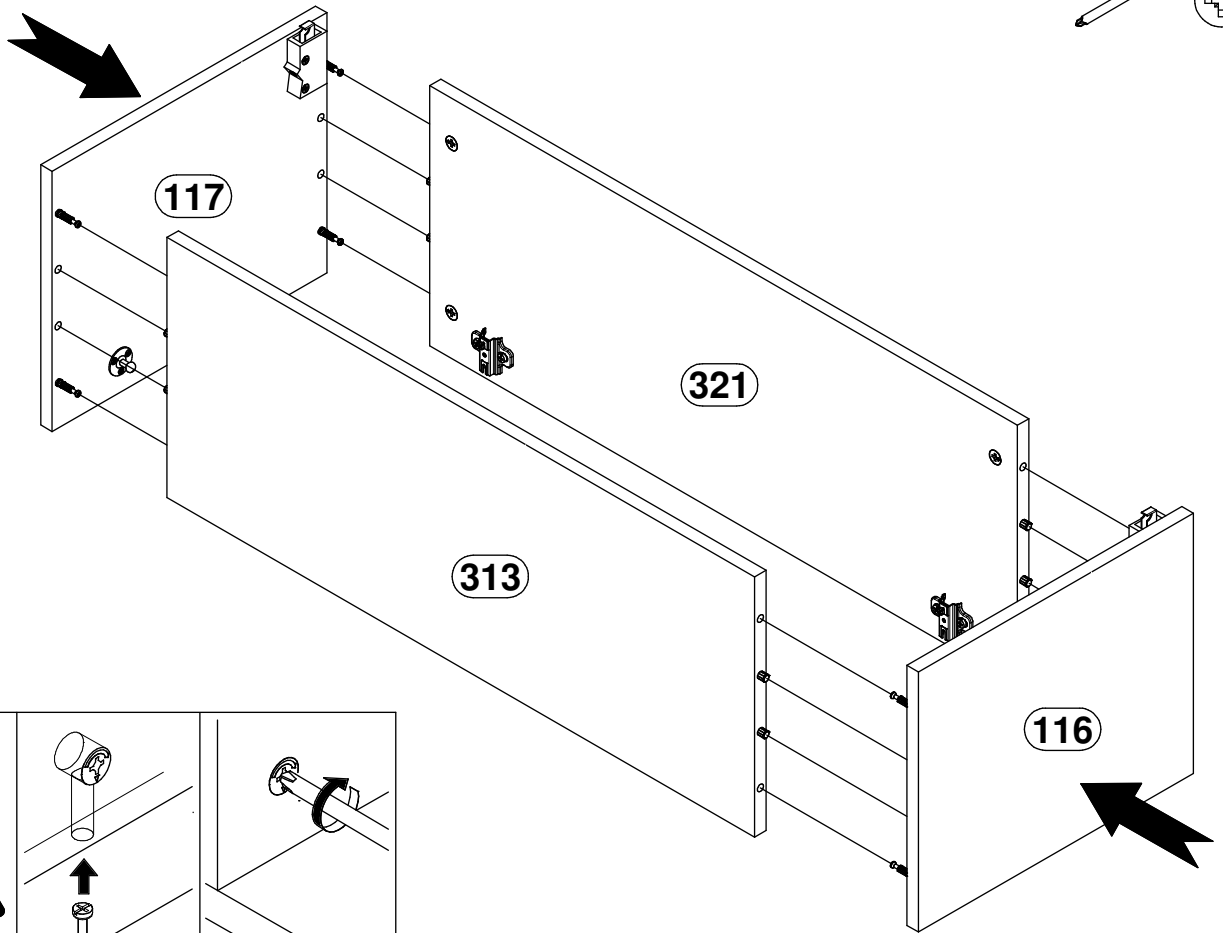
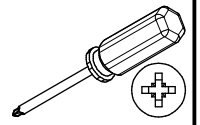
**Z1 x2**



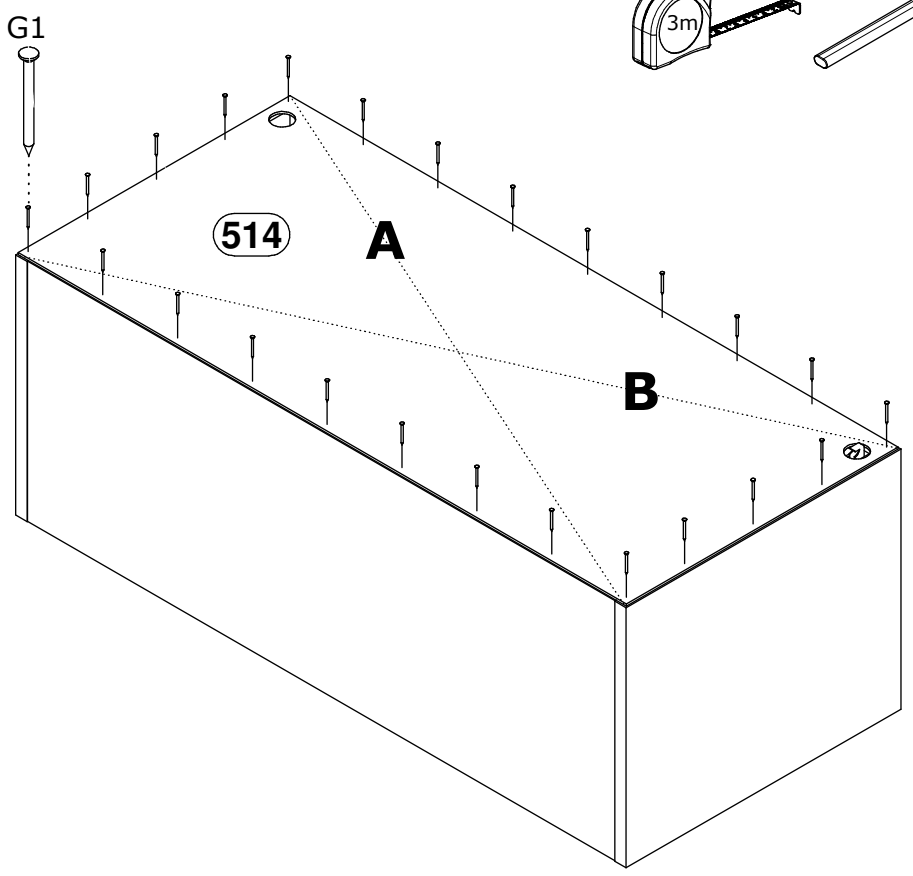
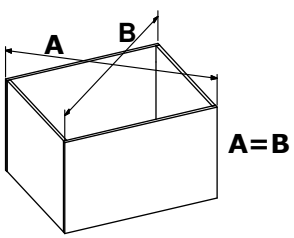
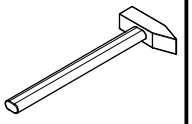
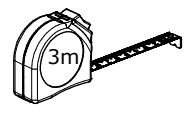
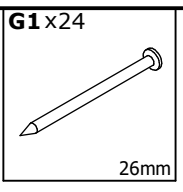
50x40, H=2



**3**

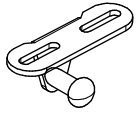


**4**



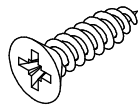
5

Q1-bx1



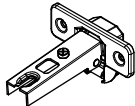
51mm

W2x6

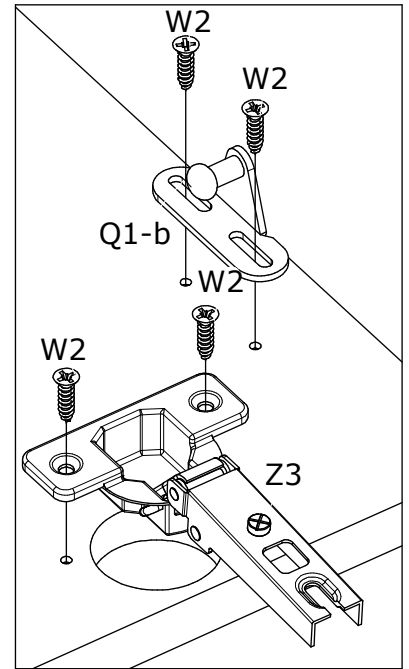
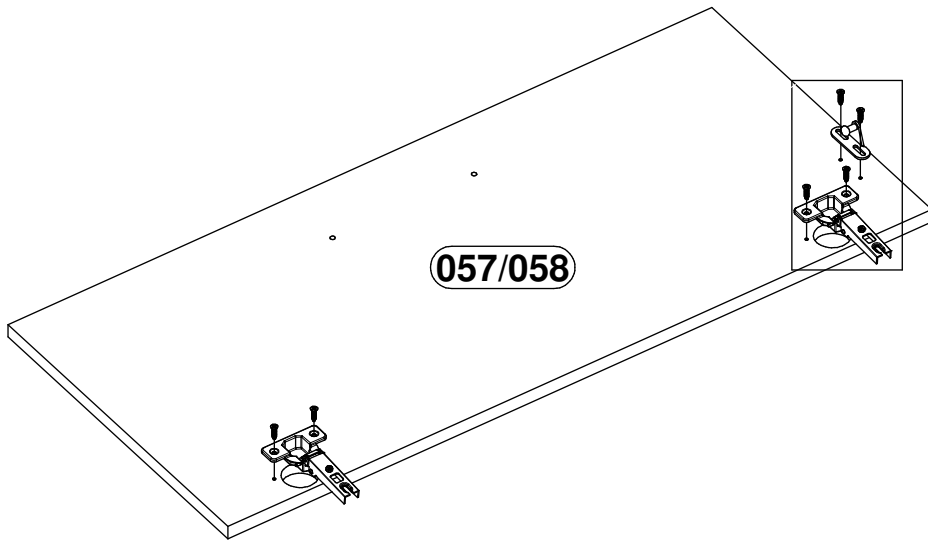
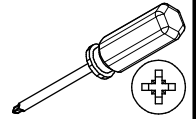


Ø3,5x16mm

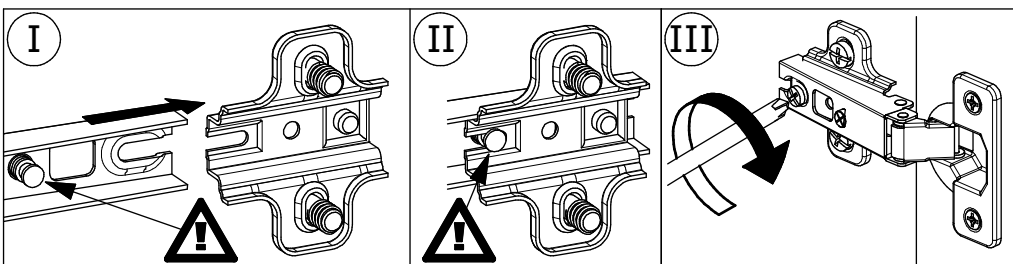
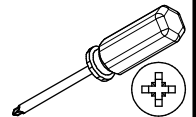
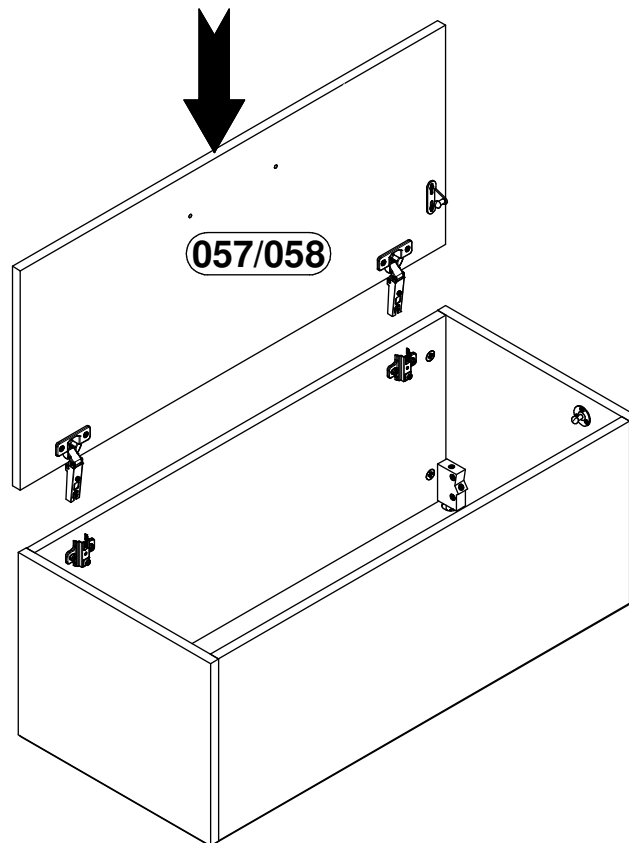
Z3 x2



Ø35, ZK0

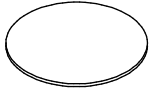


6



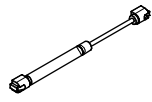
7

J10x8

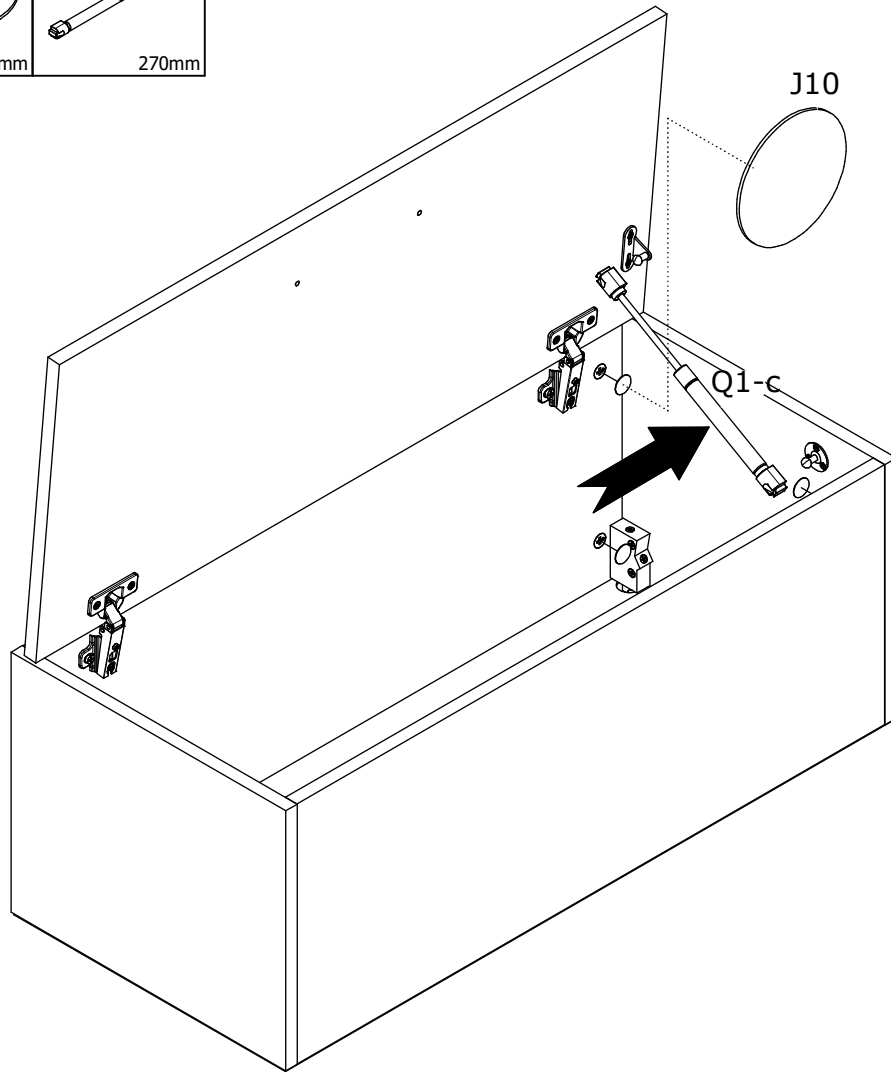
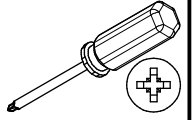


Ø21mm

Q1-cx1

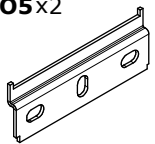


270mm

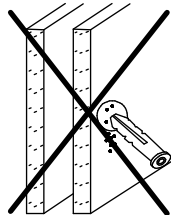
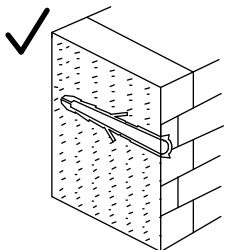
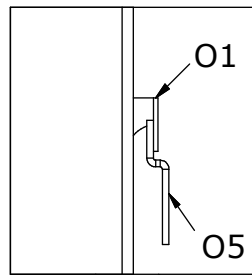
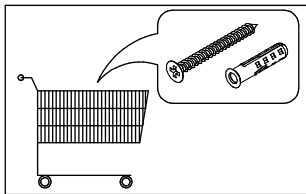
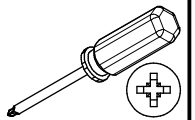


8

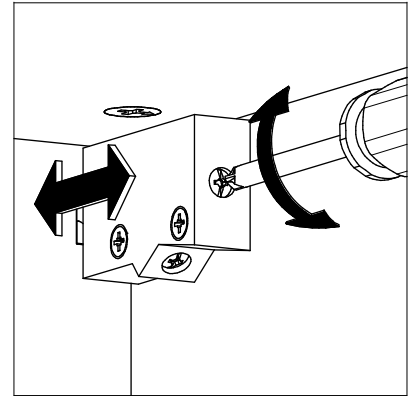
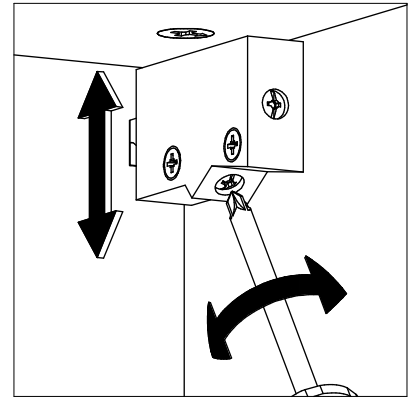
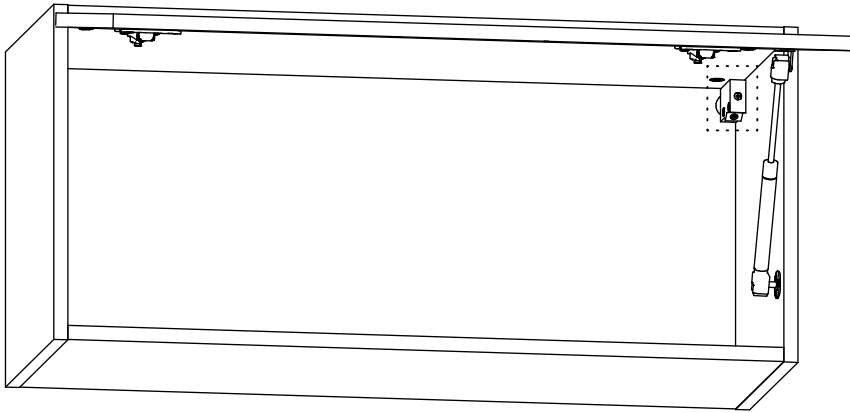
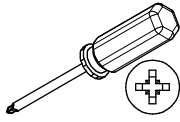
O5x2



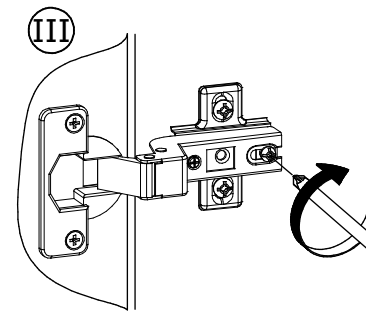
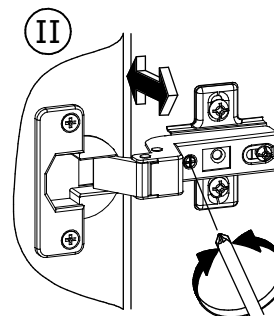
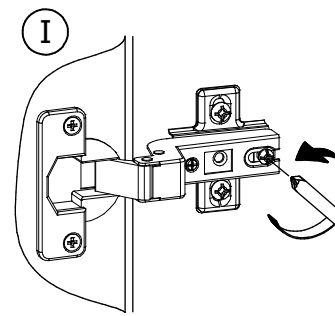
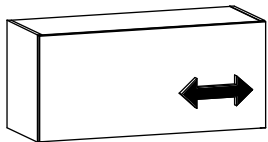
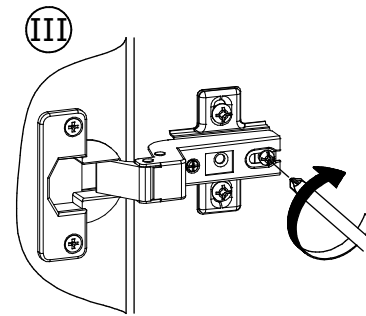
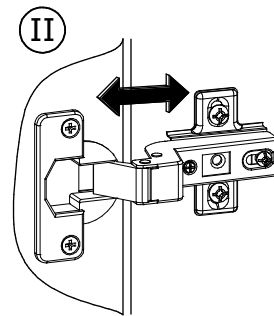
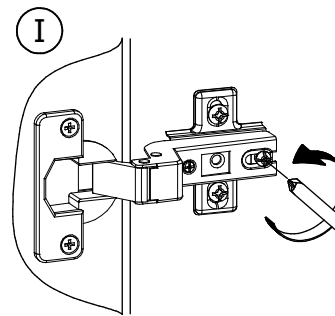
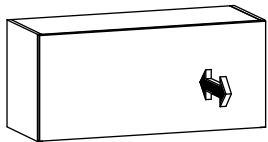
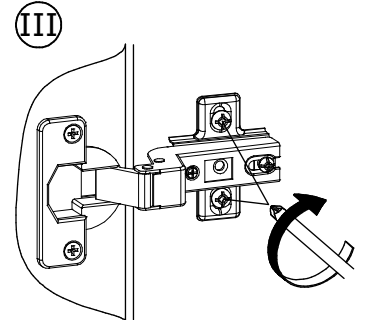
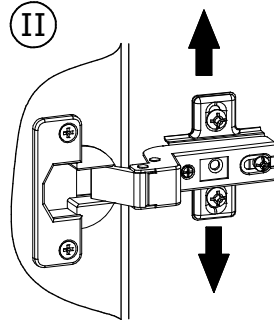
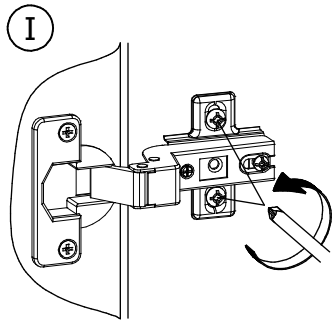
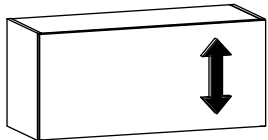
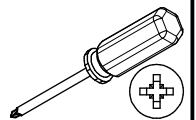
76x32x6mm



9



10



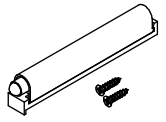
# ?

## A

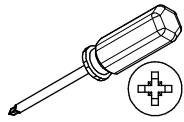
## B

### A

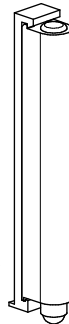
I15



86x16x10mm

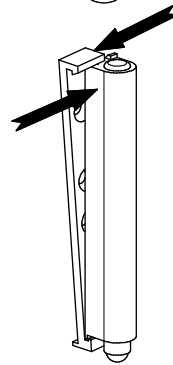


I

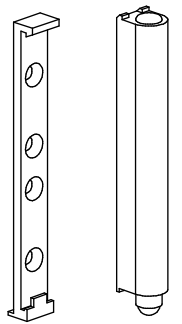


I15

II

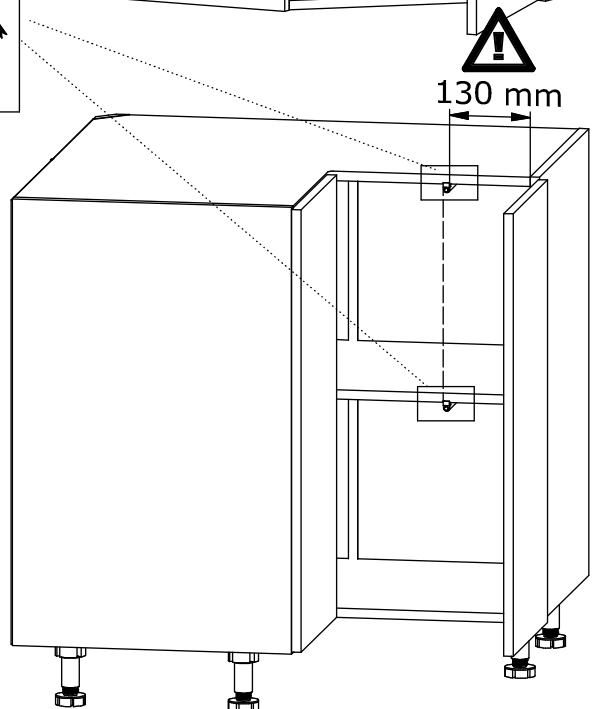
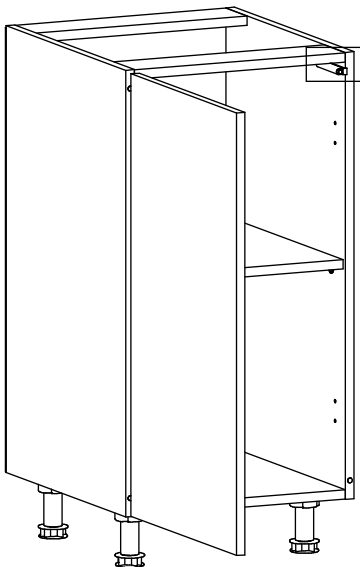
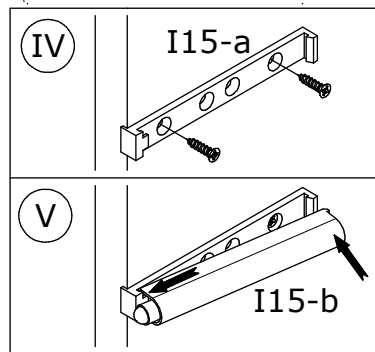
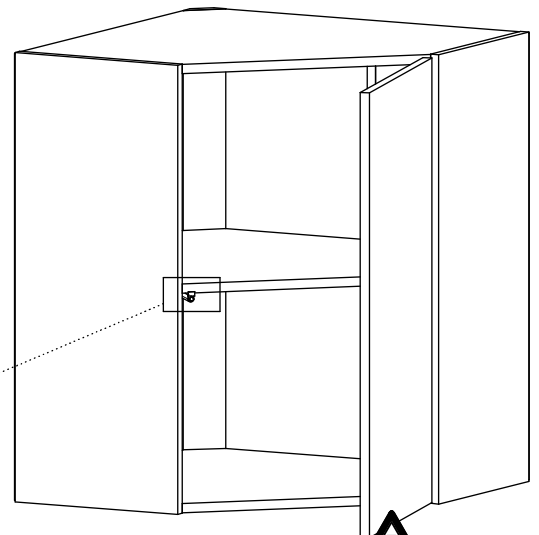
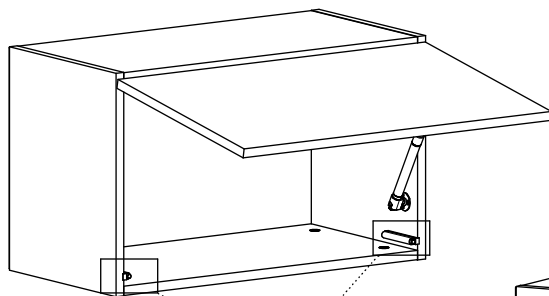
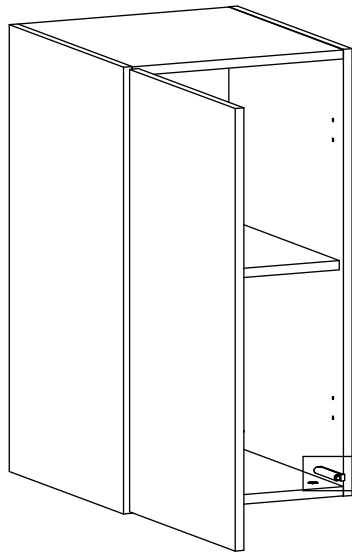


III



I15-a

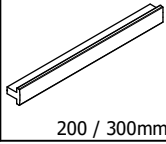
I15-b



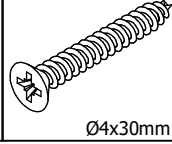


**B**

U18 / U19



W5



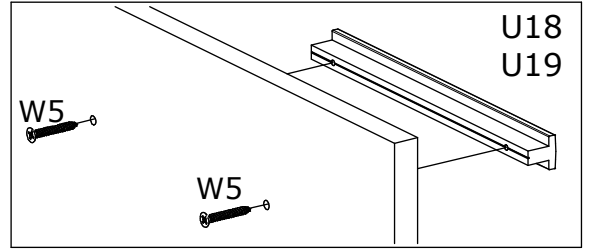
Y1



200 / 300mm

Ø4x30mm

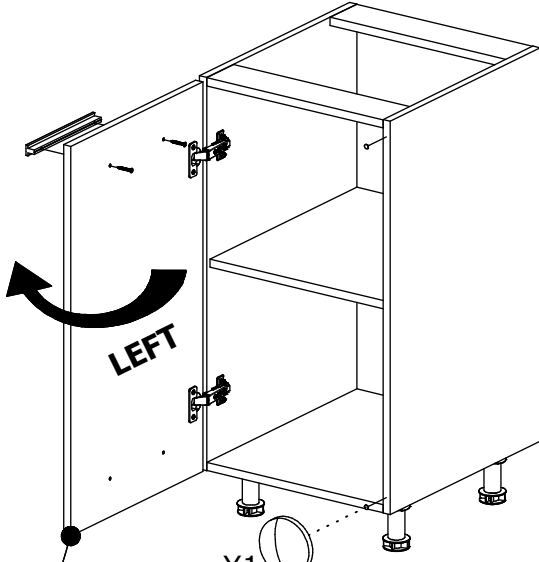
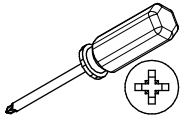
Ø8x1,5mm



W5

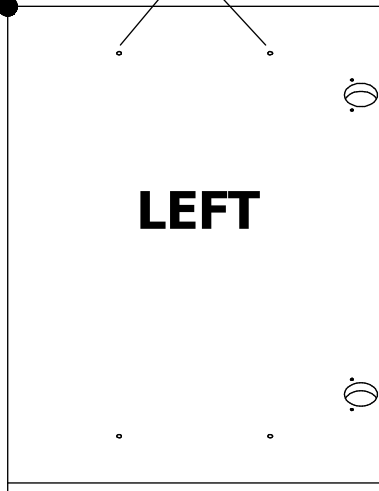
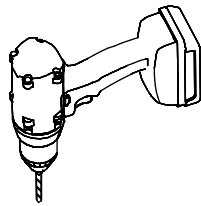
W5

U18  
U19

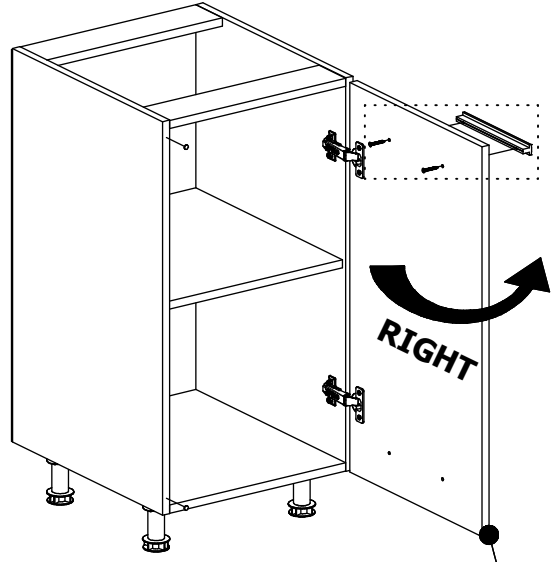


LEFT

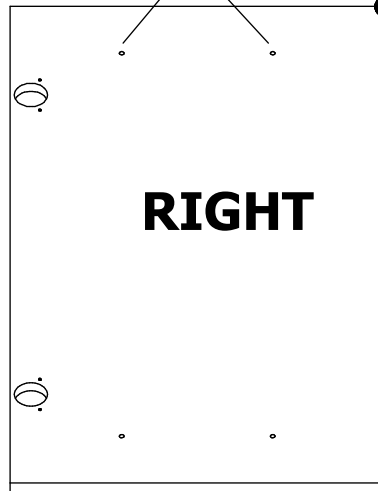
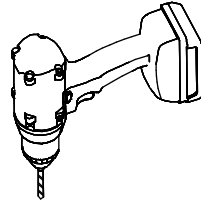
Y1



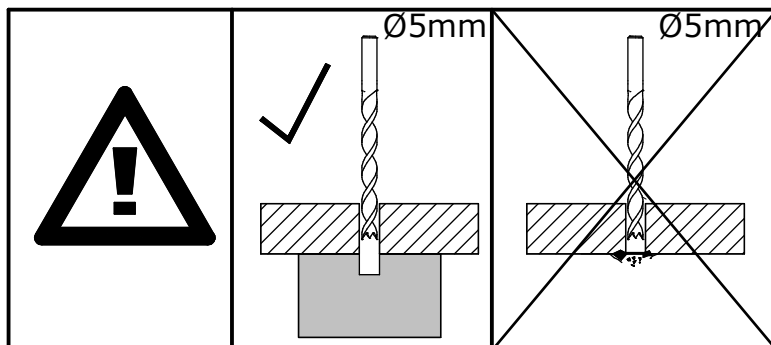
LEFT



RIGHT



RIGHT



Ø5mm

Ø5mm