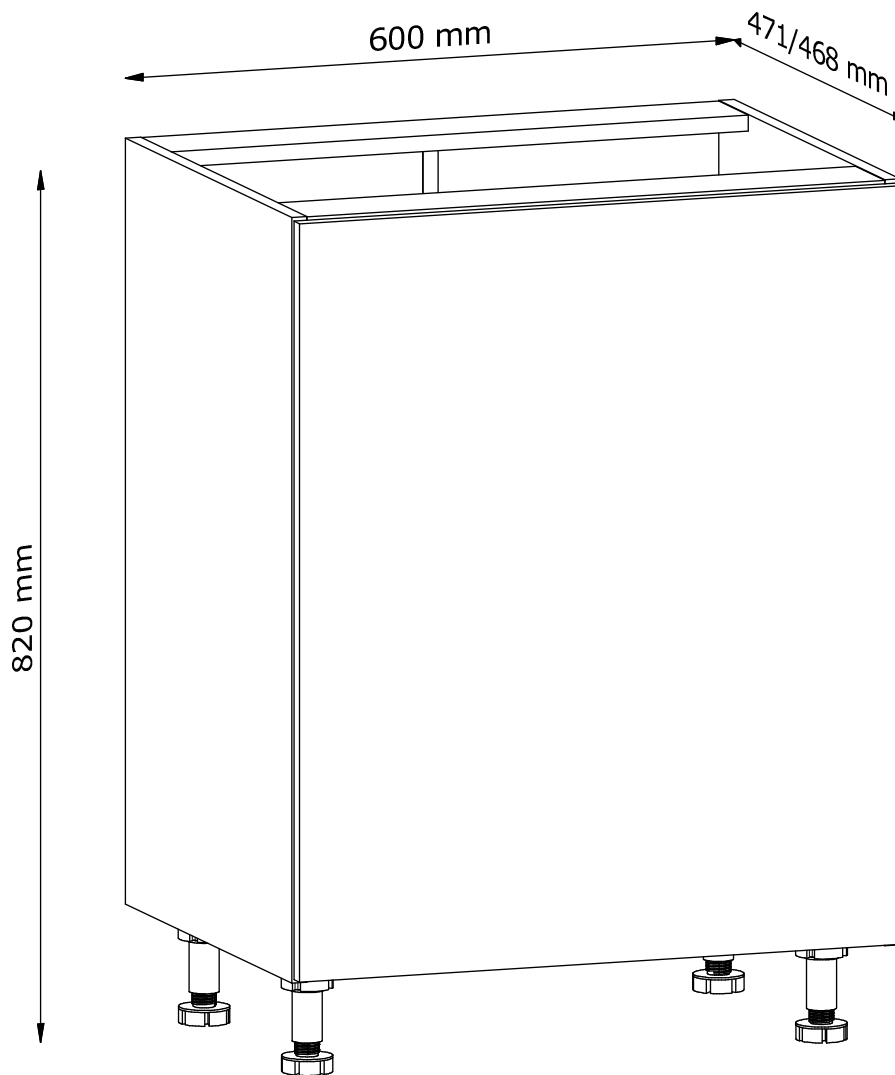
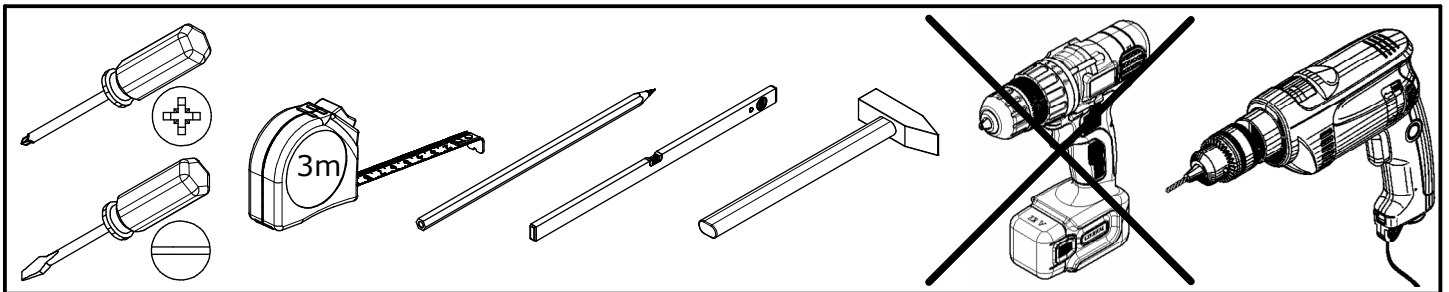


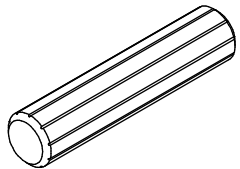
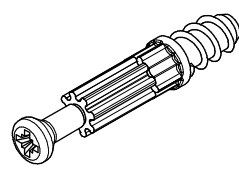
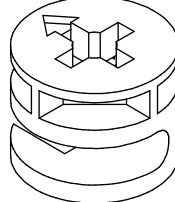
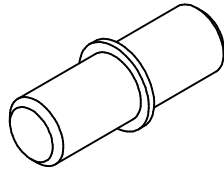
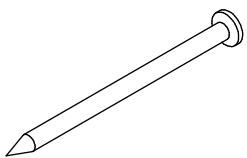
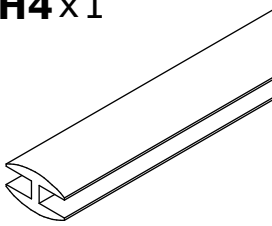
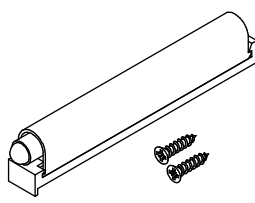
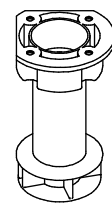
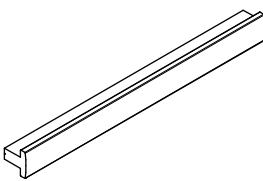
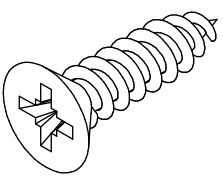
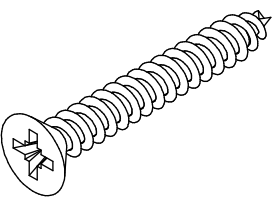
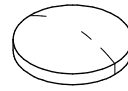
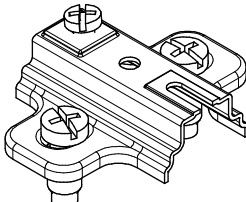
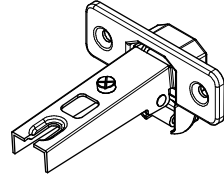
**D60**

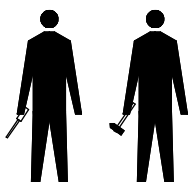
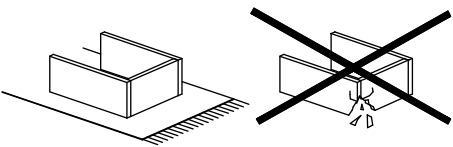


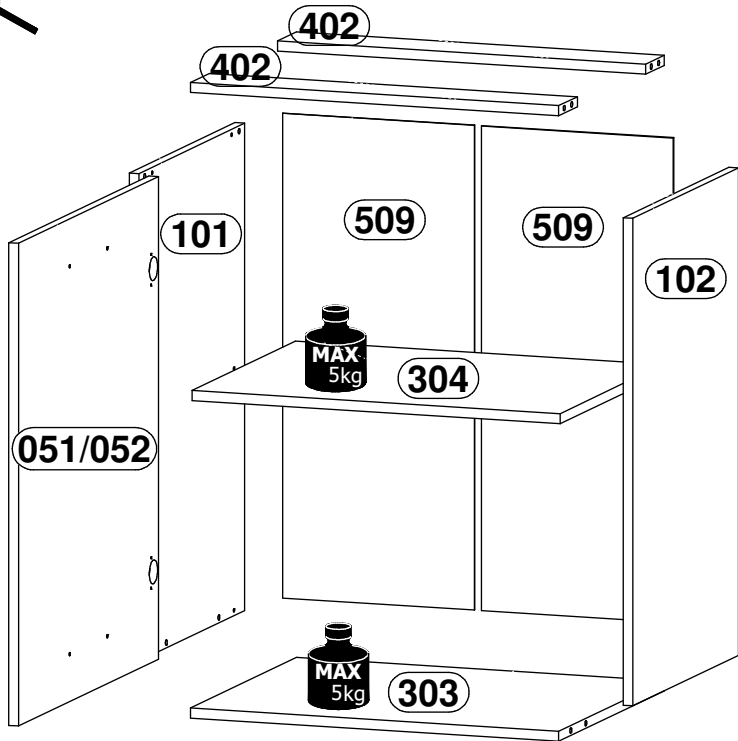
**PL:** INSTRUKCJA MONTAŻU  
**EN:** ASSEMBLY MANUAL  
**CZ:** PŘÍRUČKA PRO MONTÁŽ  
**SK:** PRÍRUČKA PRE MONTÁŽ  
**DE:** MONTAGEANLEITUNG  
**SR:** UPUTSTVO ZA INSTALACIJU  
**NL:** MONTAGE-INSTRUCTIES

06.07.2020 - Rev. 1



<b>A1 x 8</b>  $\text{Ø}8 \times 35 \text{mm}$	<b>B1 x 8</b>  $\text{Ø}5 \times 38 \text{mm}$	<b>C1 x 8</b>  $\text{Ø}15 \times 12 \text{mm}$	<b>E1 x 4</b>  $\text{Ø}5 \times 16 \text{mm}$	<b>G1 x 28</b>  26mm
<b>H4 x 1</b>  715mm	<b>I15 x 1</b>  $86 \times 16 \times 10 \text{mm}$	<b>L1 x 4</b>  $\text{Ø}50 \times 95 \text{mm}$	<b>U19 x 1</b>  300mm	<b>W2 x 20</b>  $\text{Ø}3,5 \times 16 \text{mm}$
<b>W5 x 2</b>  $\text{Ø}4 \times 30 \text{mm}$	<b>Y1 x 2</b>  $\text{Ø}8 \times 1,5 \text{mm}$	<b>Z1 x 2</b>  $50 \times 40, H=2$	<b>Z3 x 2</b>  $\text{Ø}35, ZK0$	

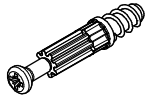





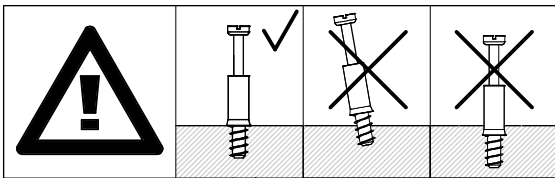
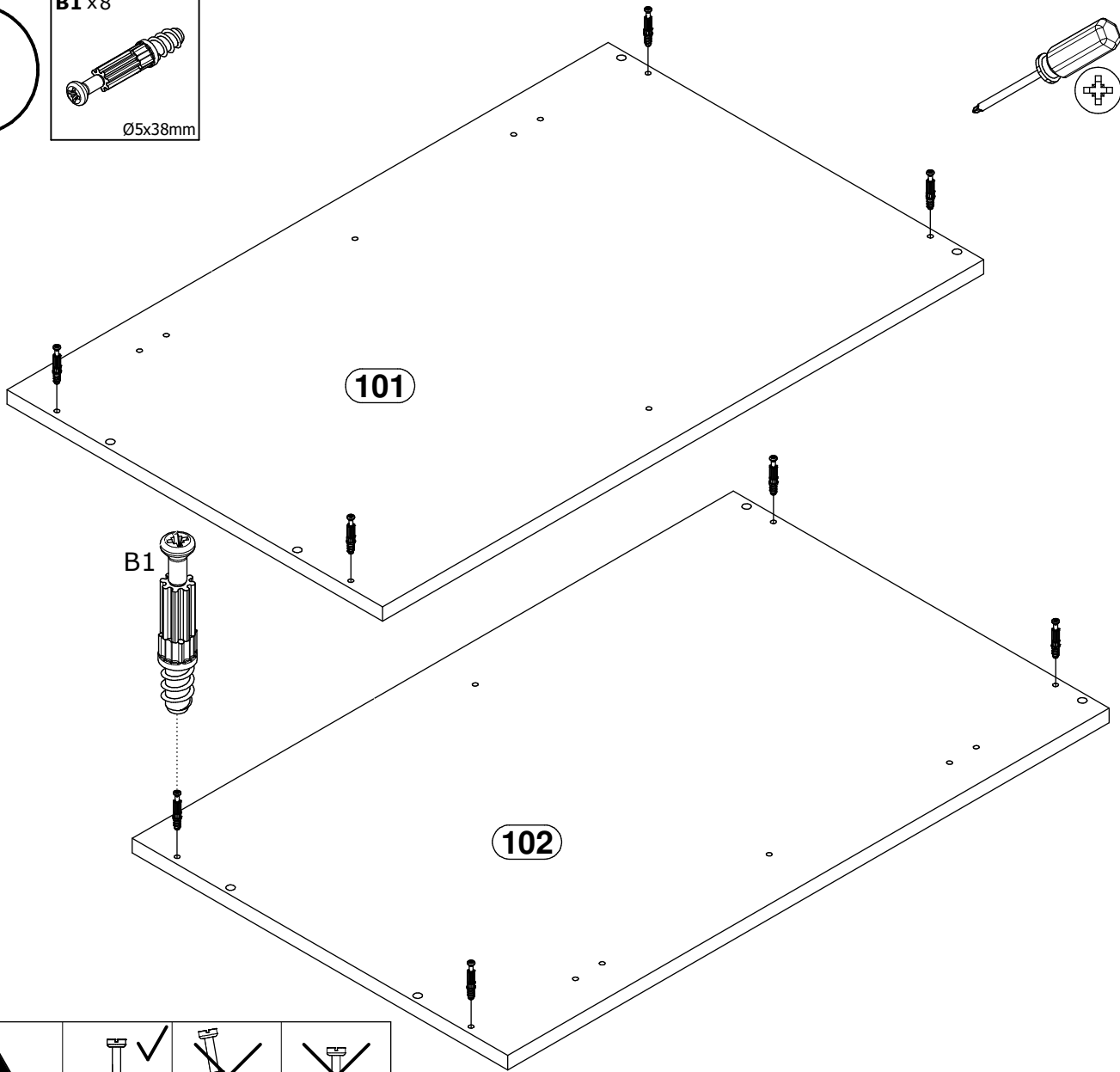
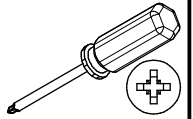
No.	L[mm]	W[mm]	H[mm]	PCS	BOX
051/052	713	596	15/18	1	2/2
101	720	450	15	1	1/2
102	720	450	15	1	1/2
303	570	450	15	1	1/2
304	570	440	15	1	1/2
402	570	80	15	2	1/2
509	716	297	2,5	2	1/2

**1**

**B1 x8**

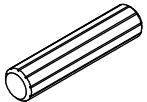


Ø5x38mm



**2**

**A1 x4**

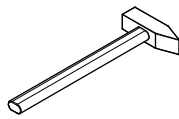


Ø8x35mm

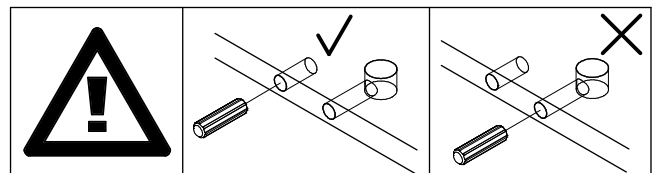
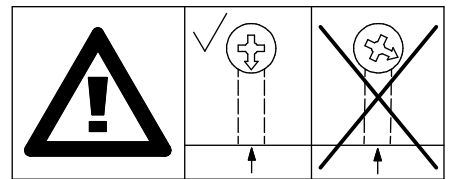
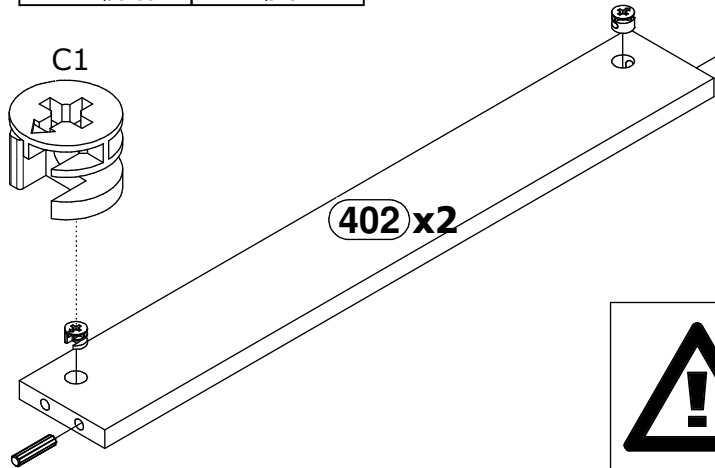
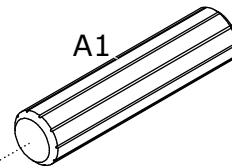
**C1 x4**



Ø15x12mm

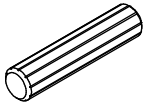


**A1**



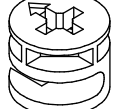
**3**

A1 x4



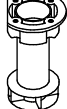
Ø8x35mm

C1 x4



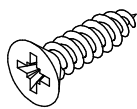
Ø15x12mm

L1 x4

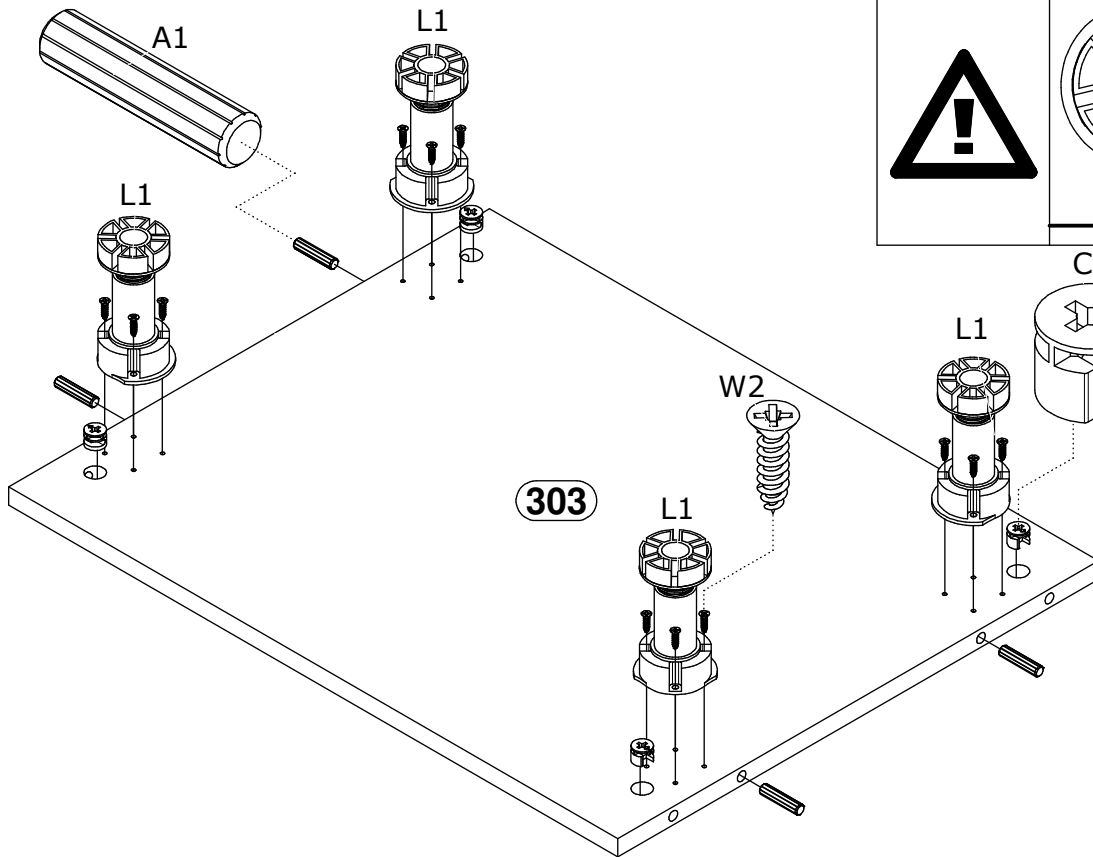
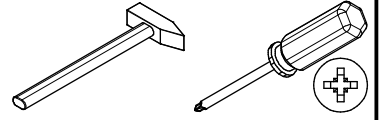


Ø50x95mm

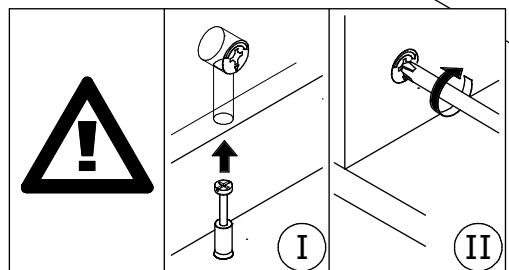
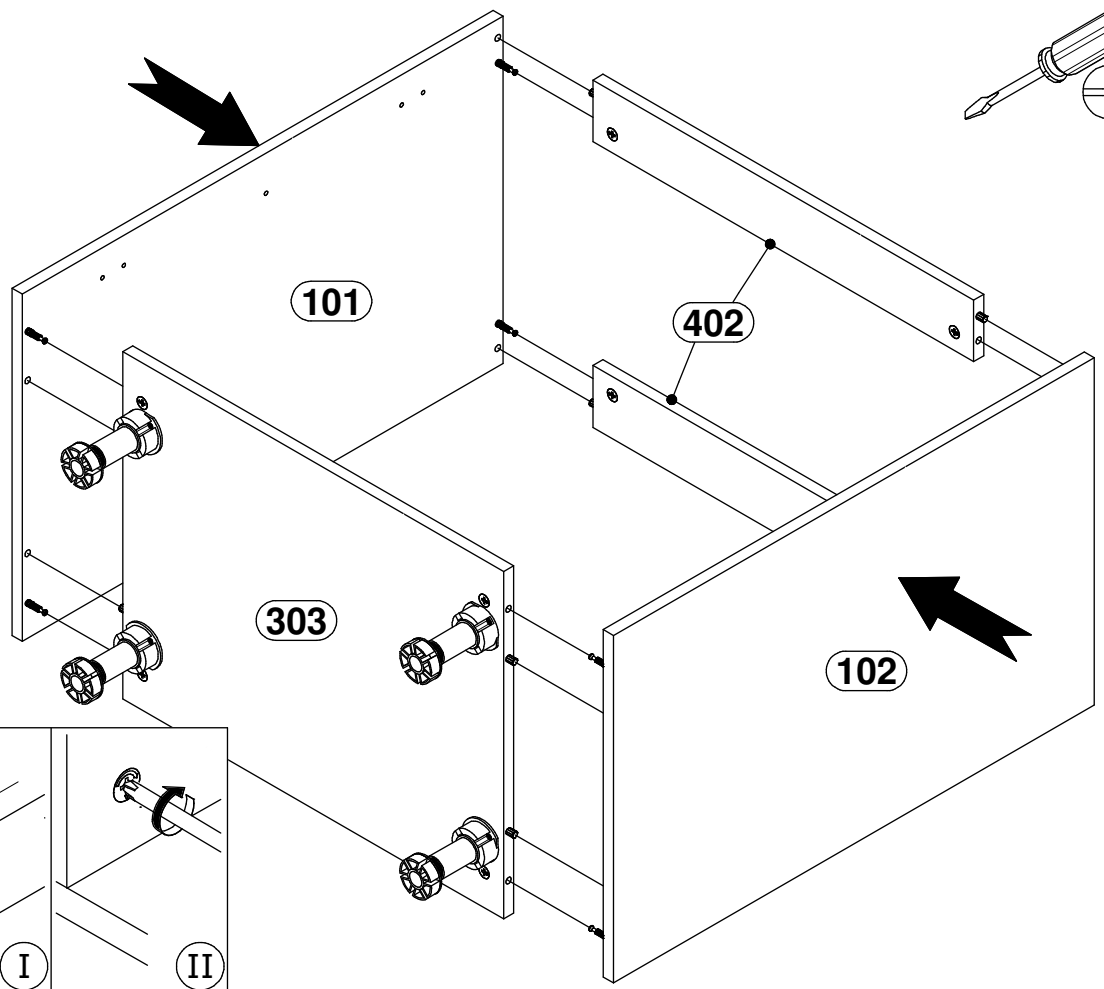
W2 x16



Ø3,5x16mm

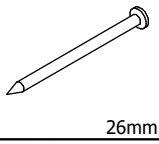


**4**

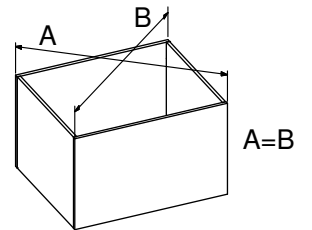
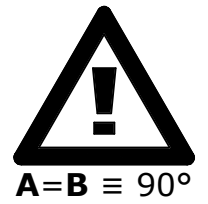
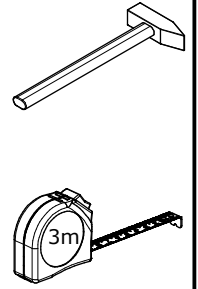
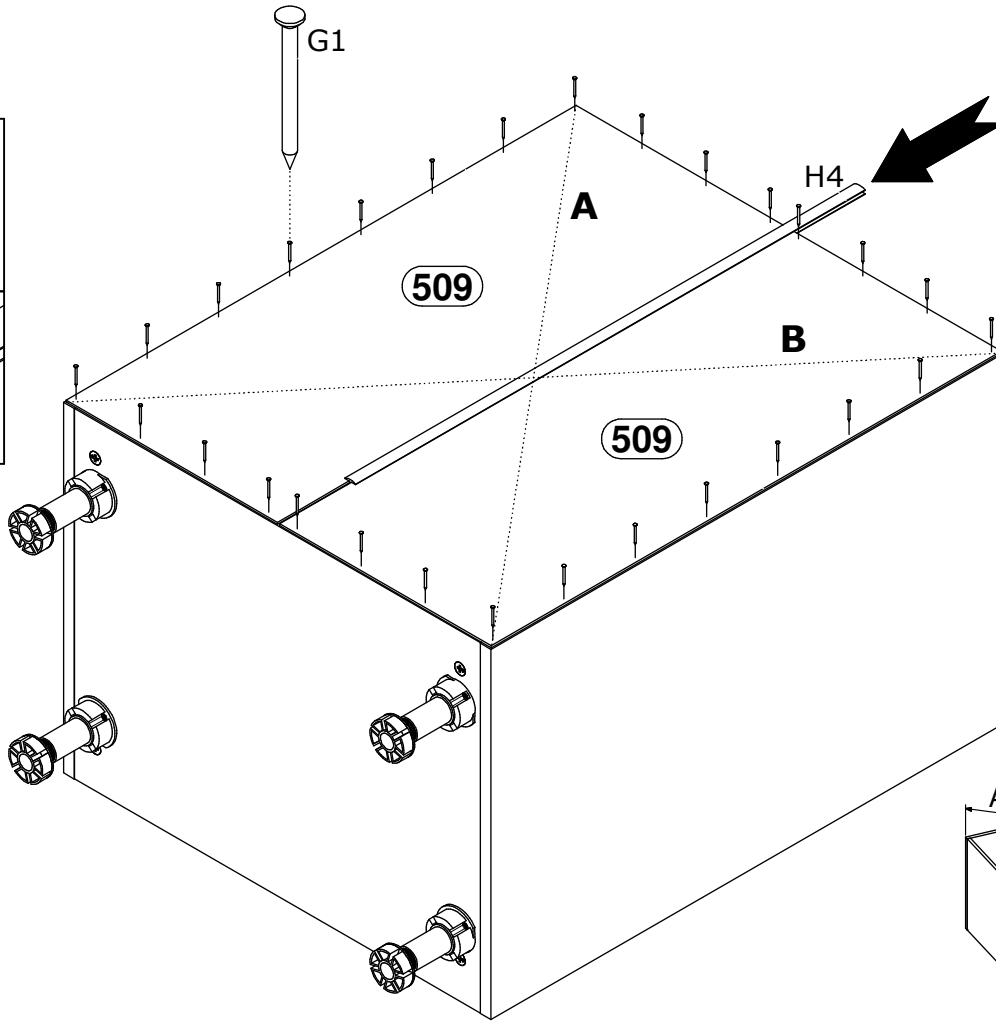
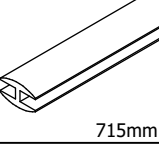


**5**

G1 x 28

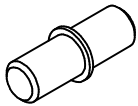


H4 x 1

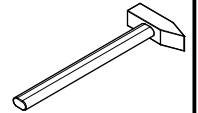
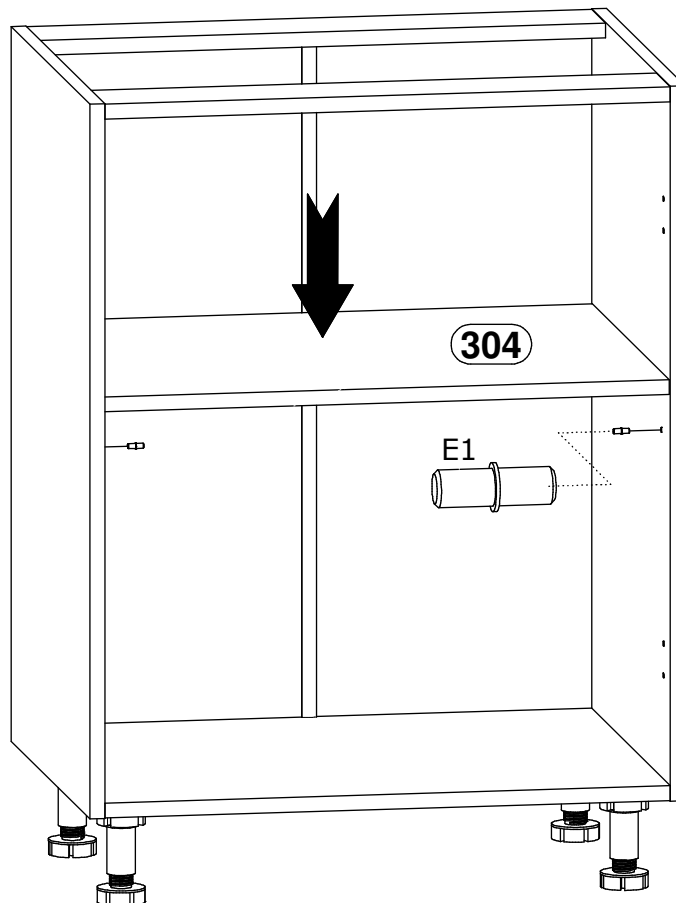


**6**

E1 x 4

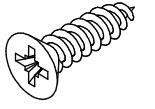


Ø5x16mm



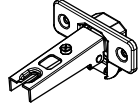
7

W2 x 4

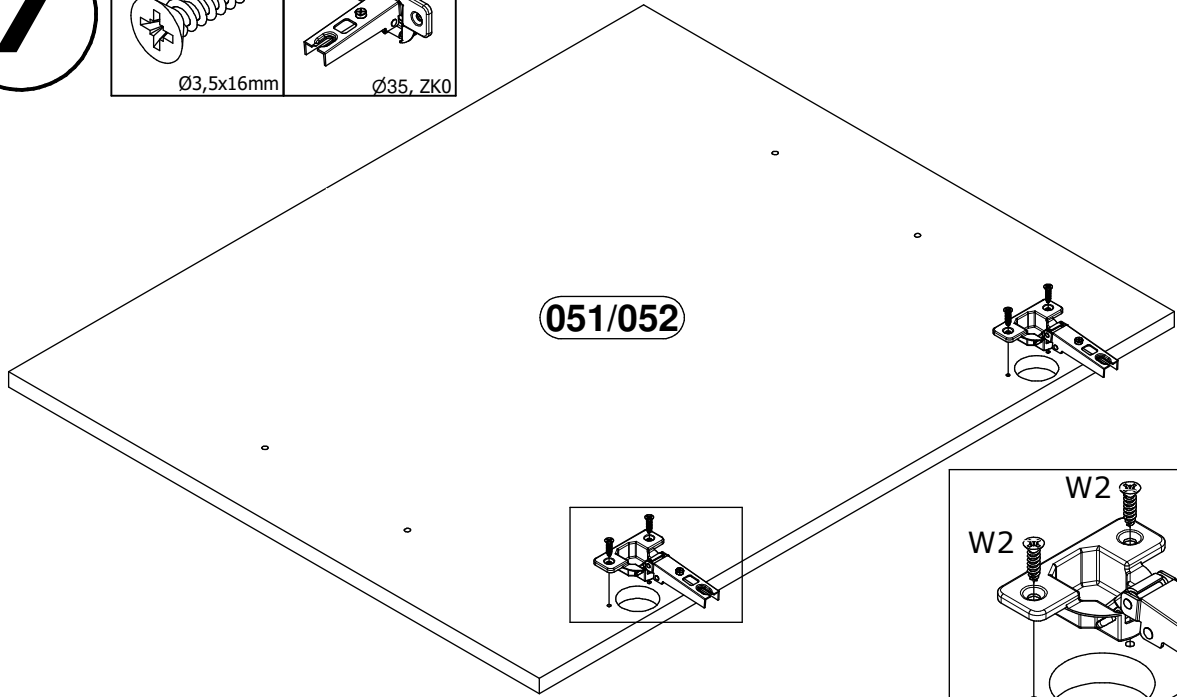
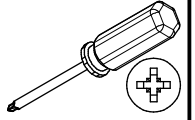


Ø3,5x16mm

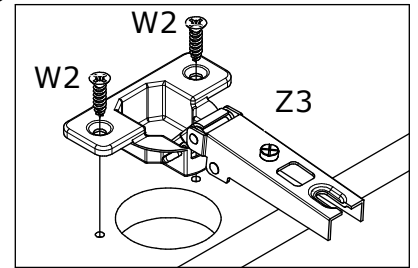
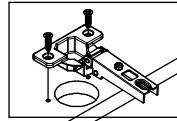
Z3 x 2



Ø35, ZK0

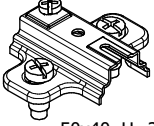


051/052

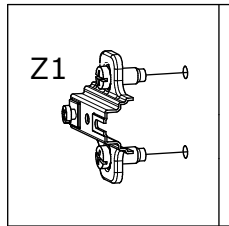


8

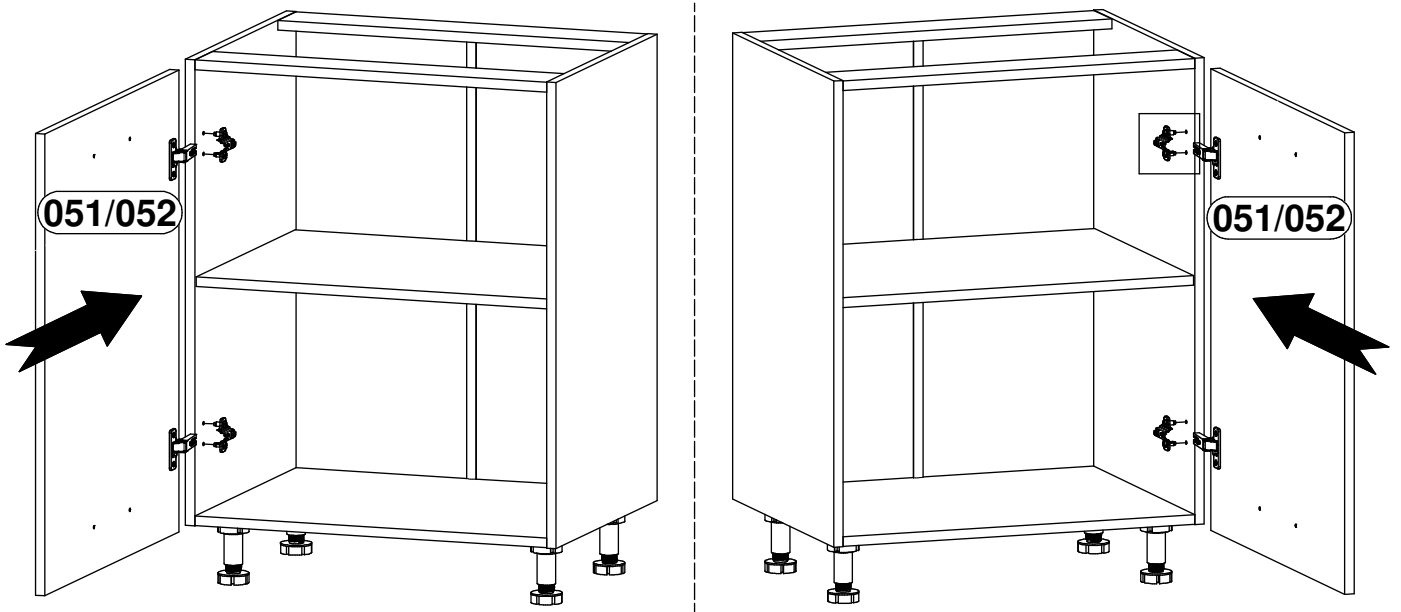
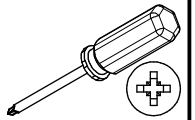
Z1 x 2



50x40, H=2

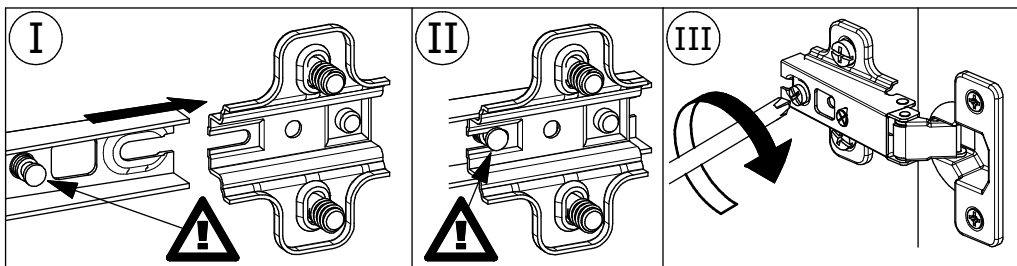


Z1



051/052

051/052

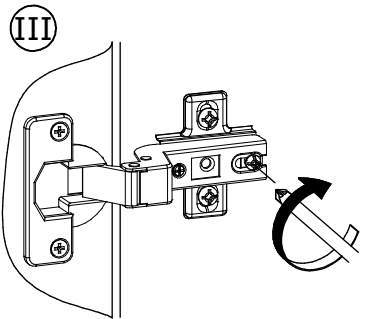
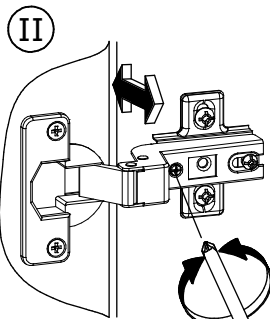
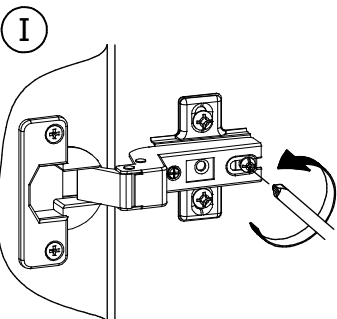
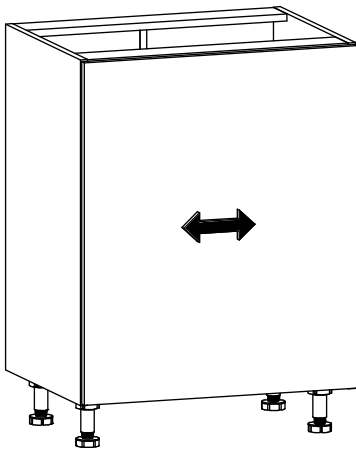
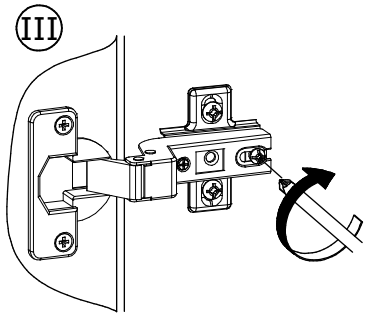
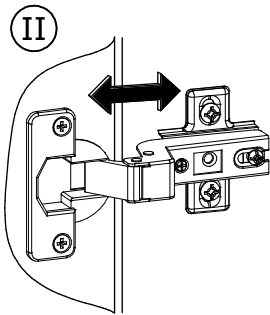
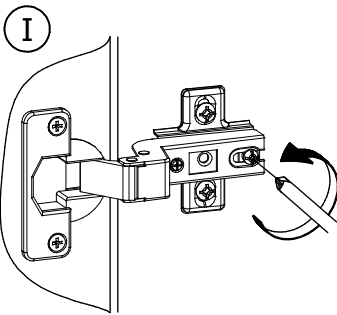
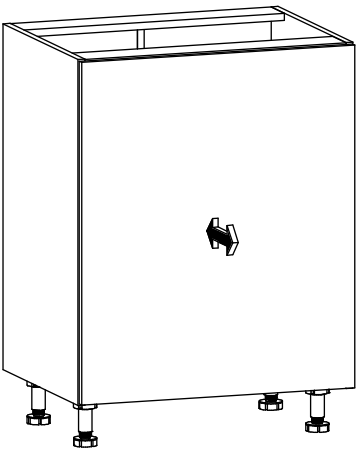
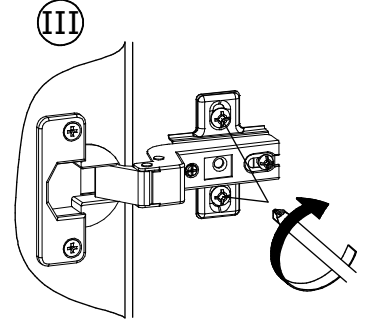
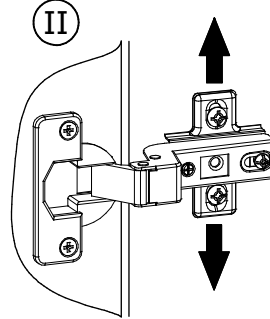
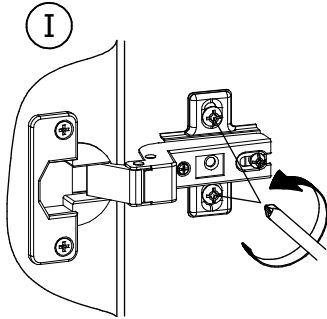
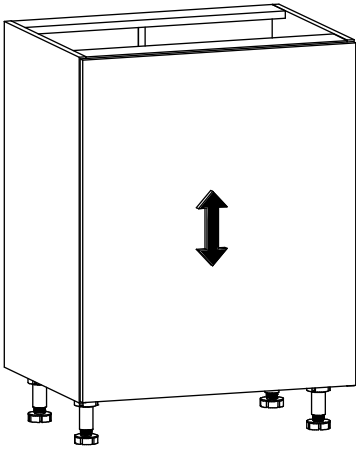
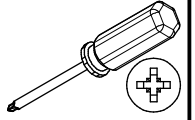


I

II

III

# 9



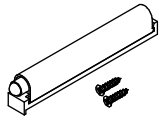
# ?

## A

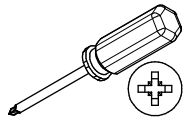
## B

### A

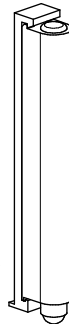
I15



86x16x10mm

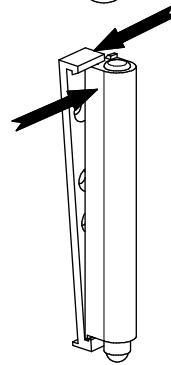


I

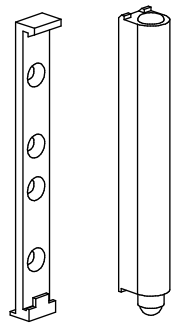


I15

II

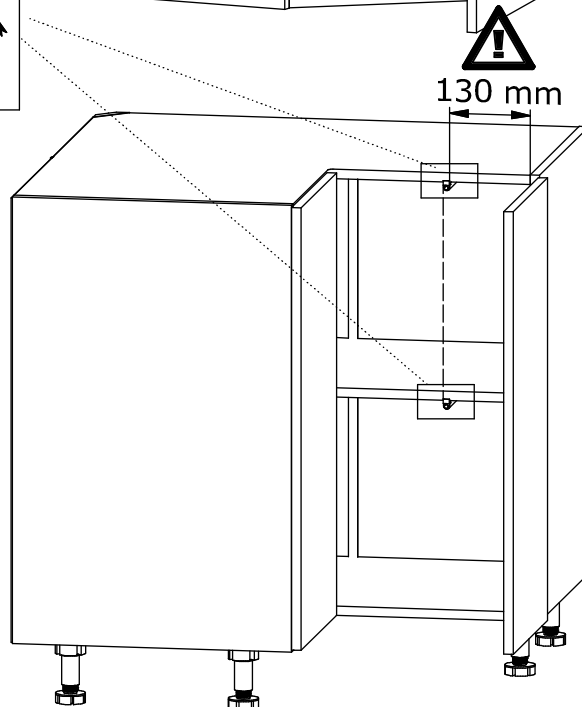
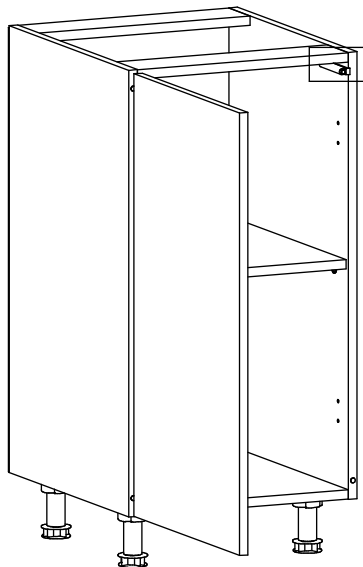
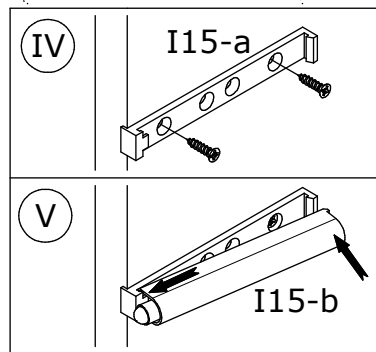
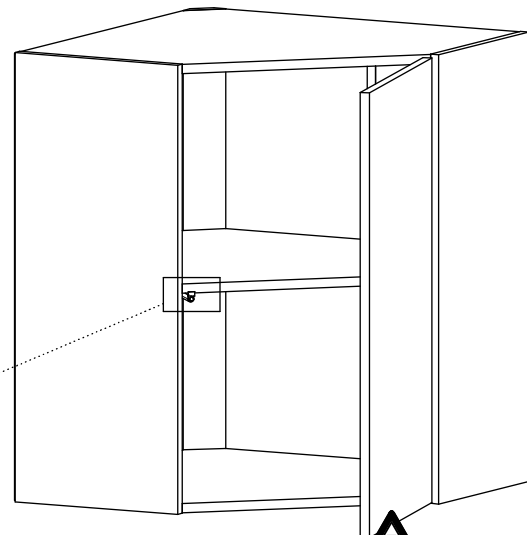
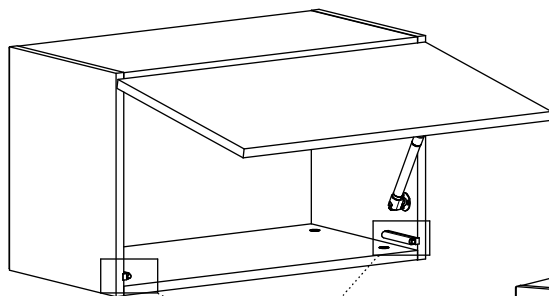
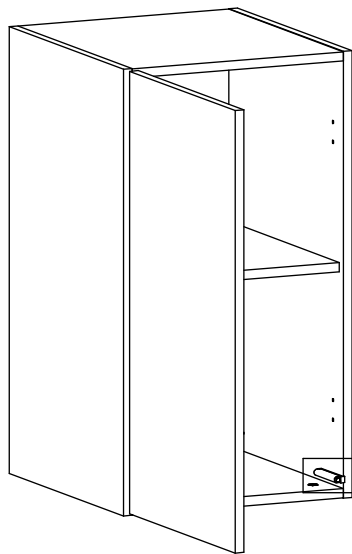


III



I15-a

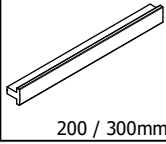
I15-b





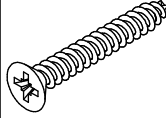
**B**

U18 / U19



200 / 300mm

W5

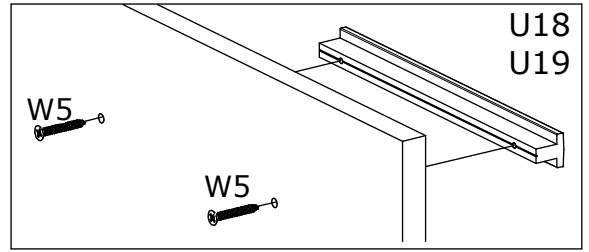


Ø4x30mm

Y1



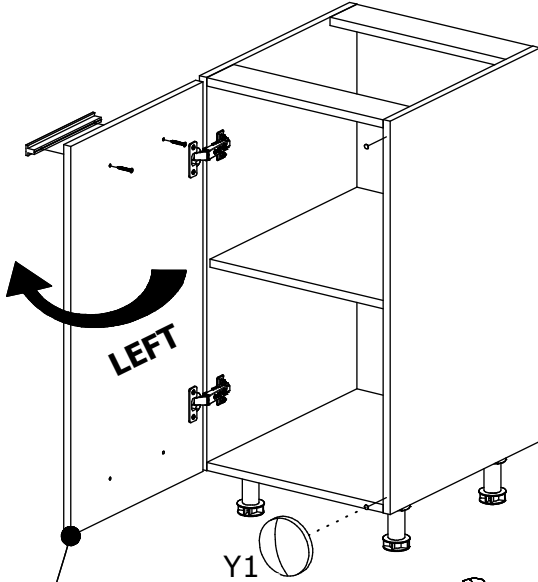
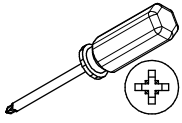
Ø8x1,5mm



W5

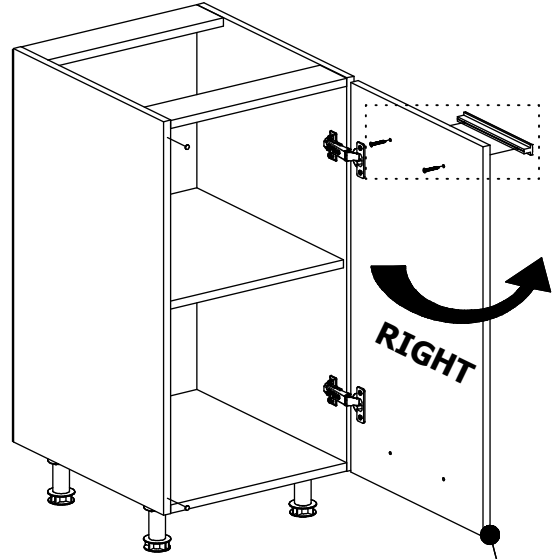
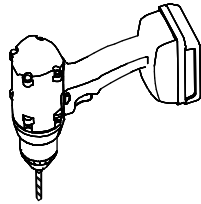
W5

U18  
U19

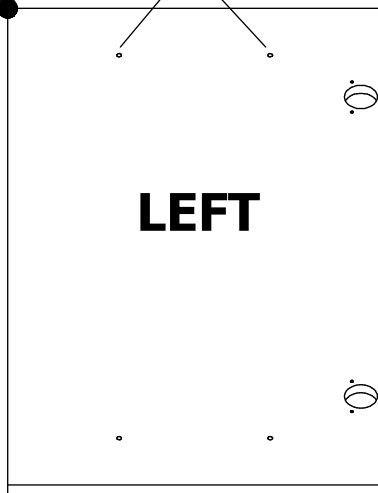
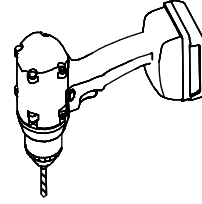


LEFT

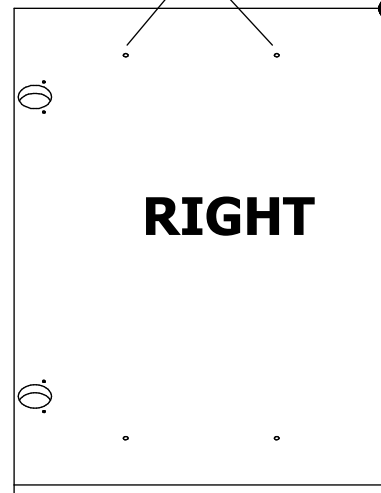
Y1



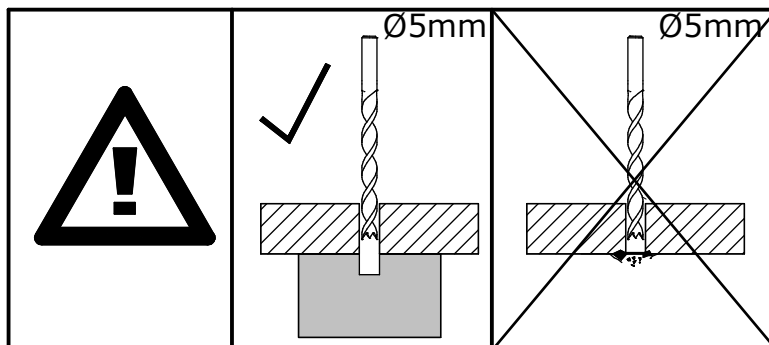
RIGHT



LEFT

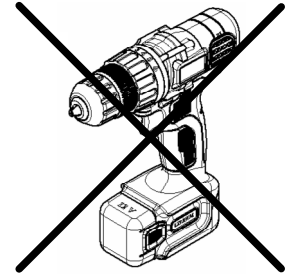
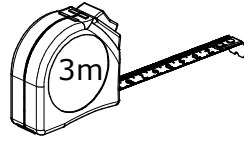
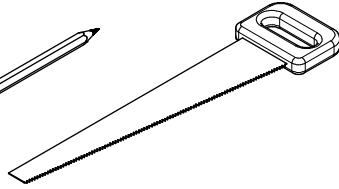
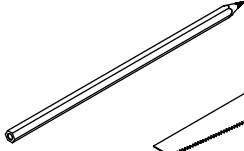
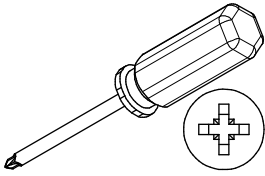


RIGHT

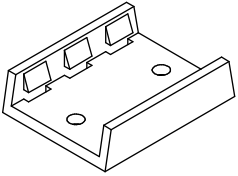


Ø5mm

Ø5mm

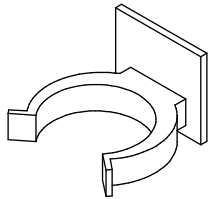


**L6-a**x8



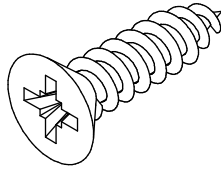
38x30x10mm

**L6-b**x8

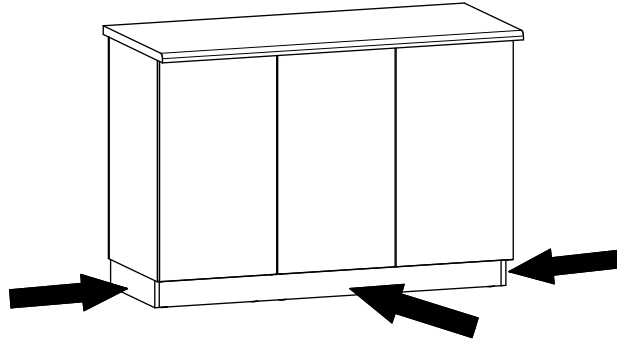
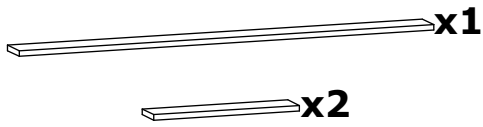


35x32x25mm

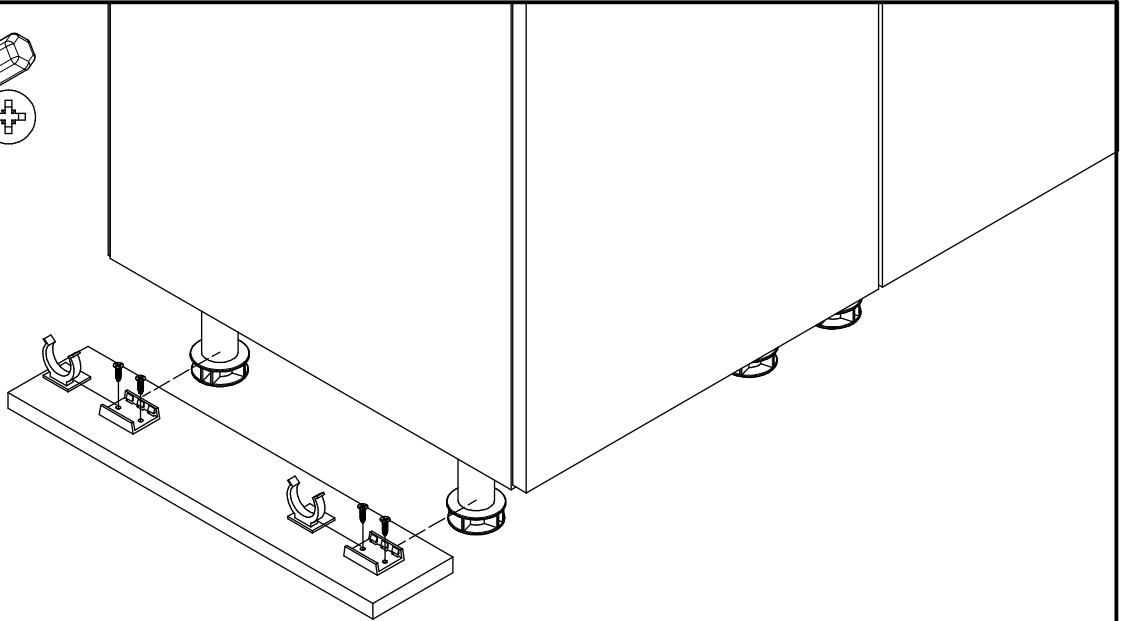
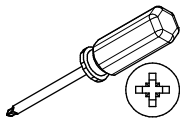
**W2**x16



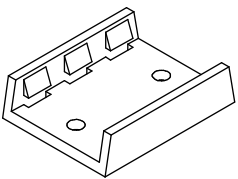
Ø3,5x16mm



**C1**

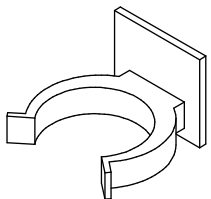


**L6-a**x4



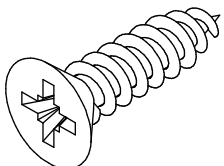
38x30x10mm

**L6-b**x4

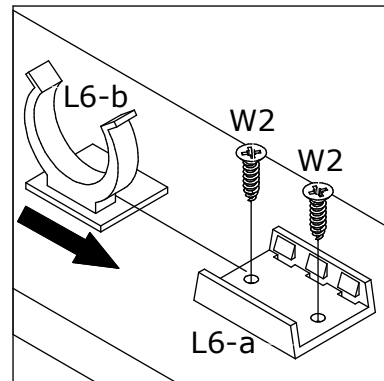


35x32x25mm

**W2**x8

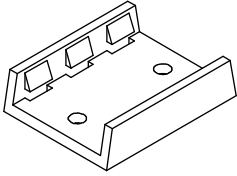


Ø3,5x16mm



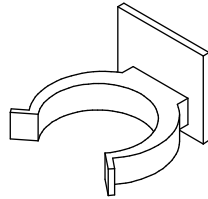
**C2**

**L6-a**×4



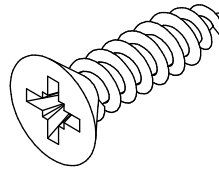
38x30x10mm

**L6-b**×4



35x32x25mm

**W2**×8



Ø3,5x16mm

