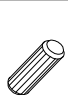





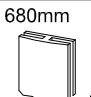
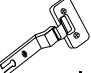


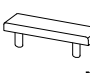



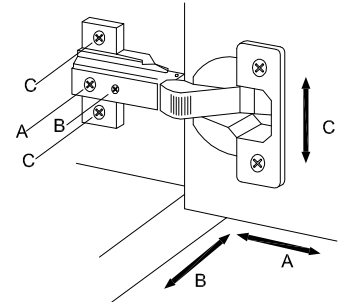
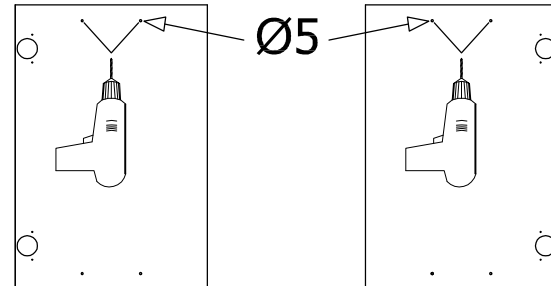
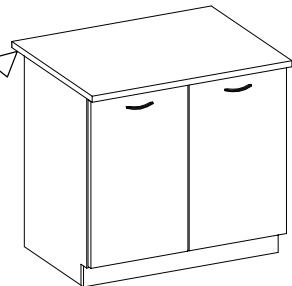
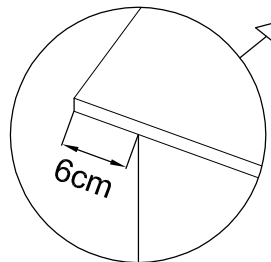
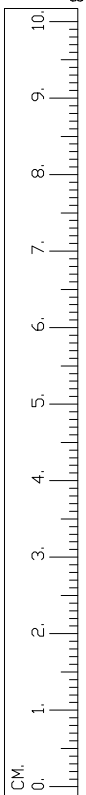
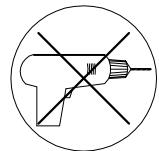
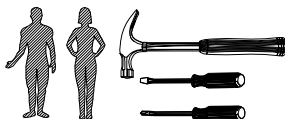
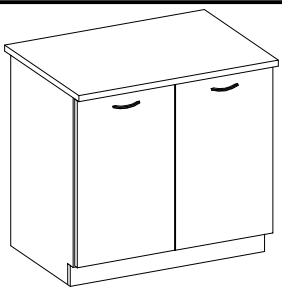
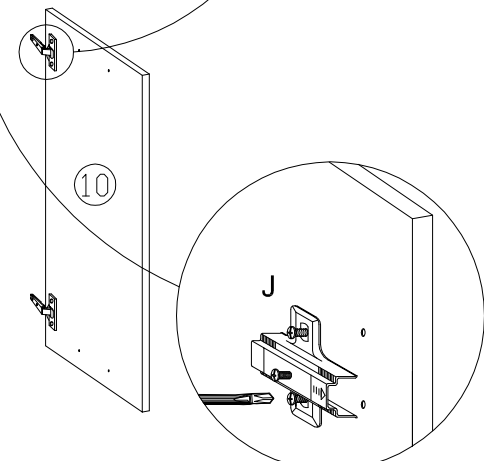
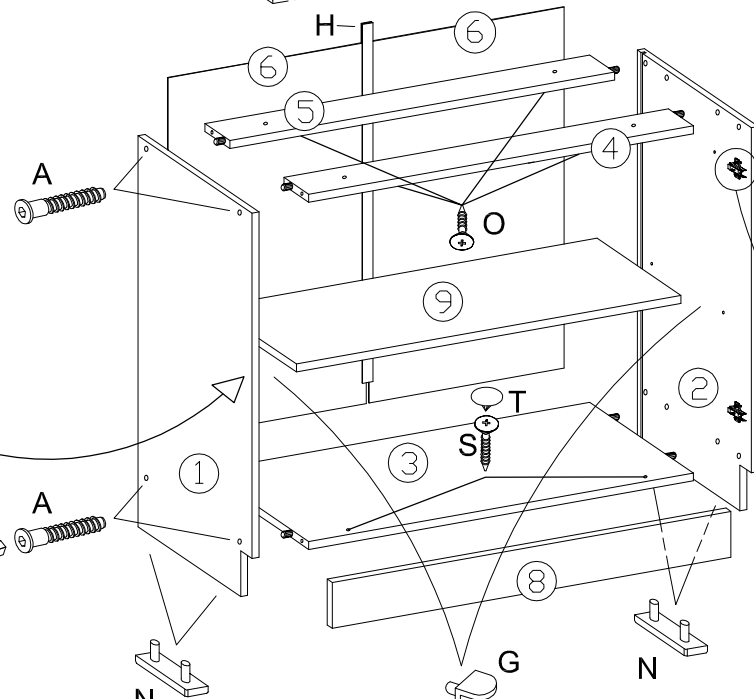
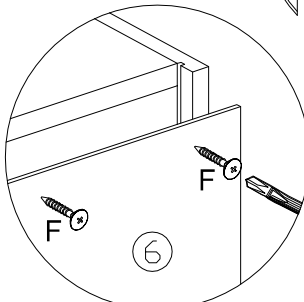
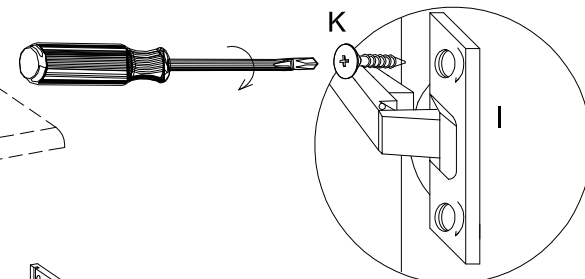
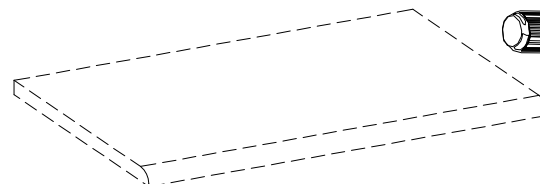
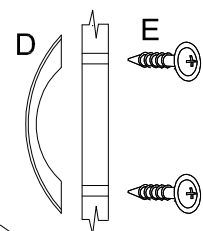
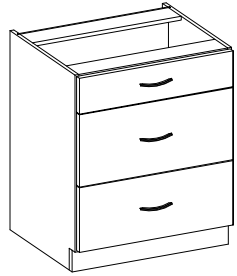
 A	 B	 C	 D	 E	 F	 G	 H	 I	 J	 K	 N	 O
8	8	1	2	4	15-20	4	1	4	4	8	4	4

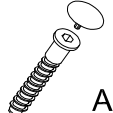
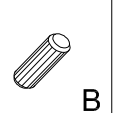
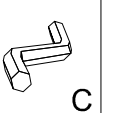
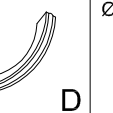
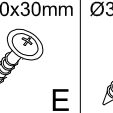
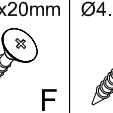
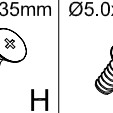
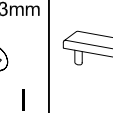
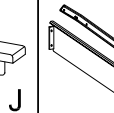
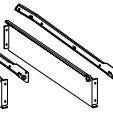
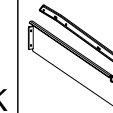

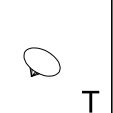
 S	 T
2	2

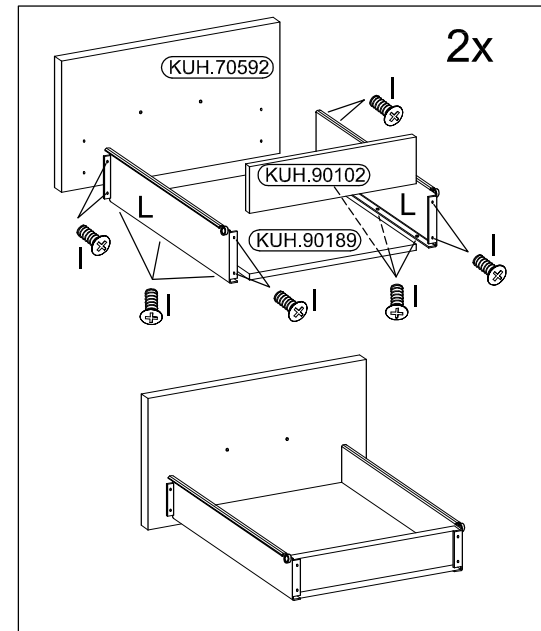
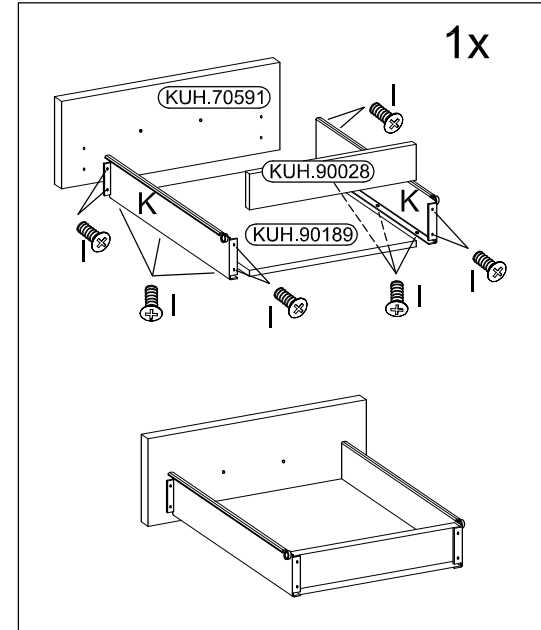
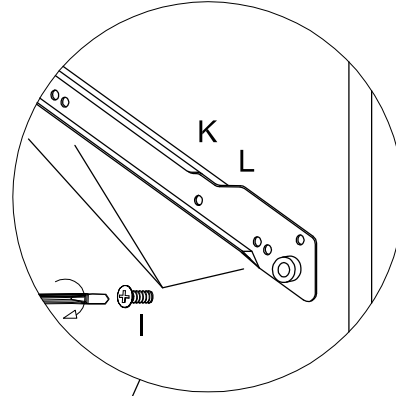
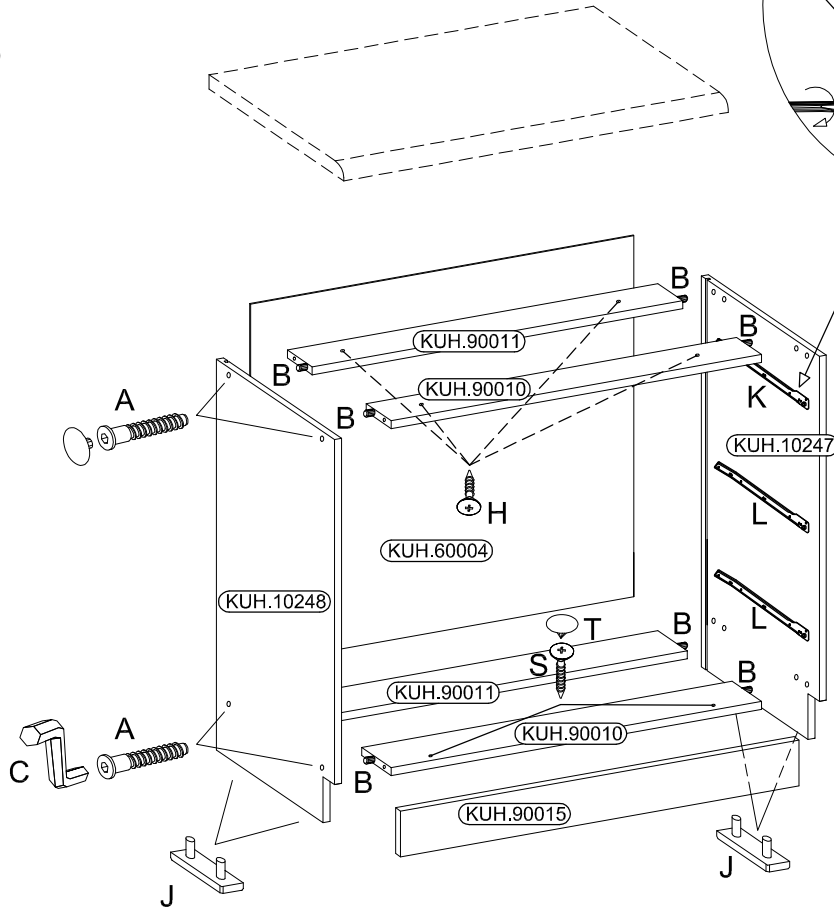
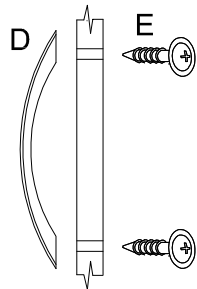
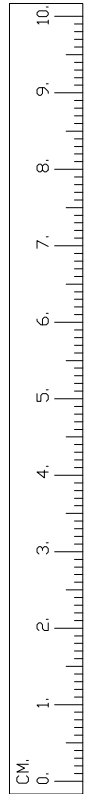
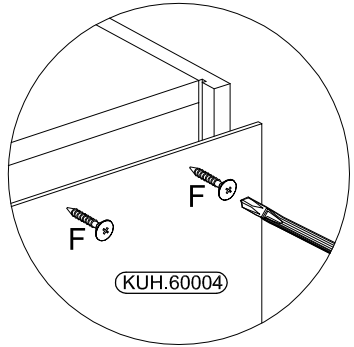


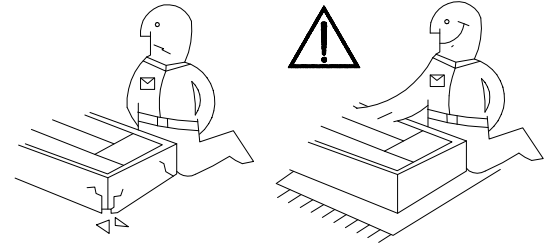
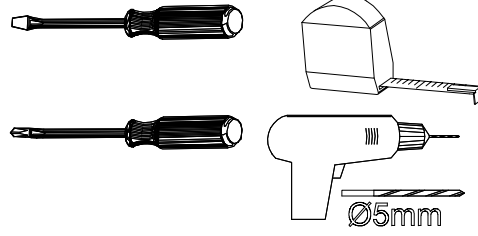
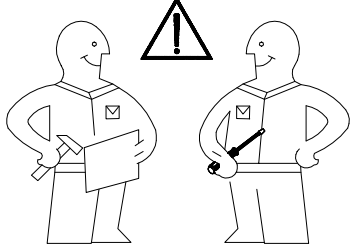
We regret to inform you, that in line complaint please give NO packet and NO missing and spoil element.

60 D 3S BB - metabox

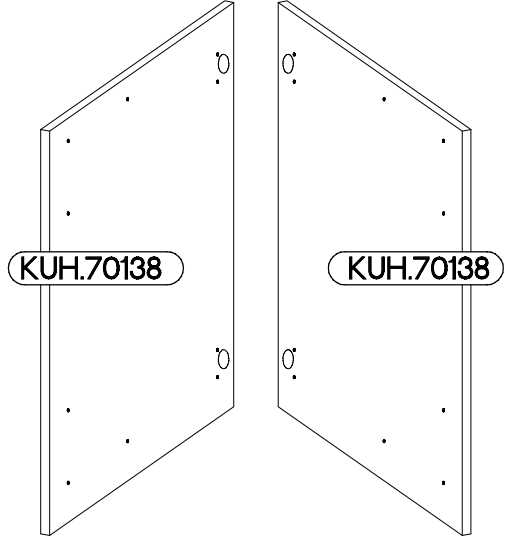
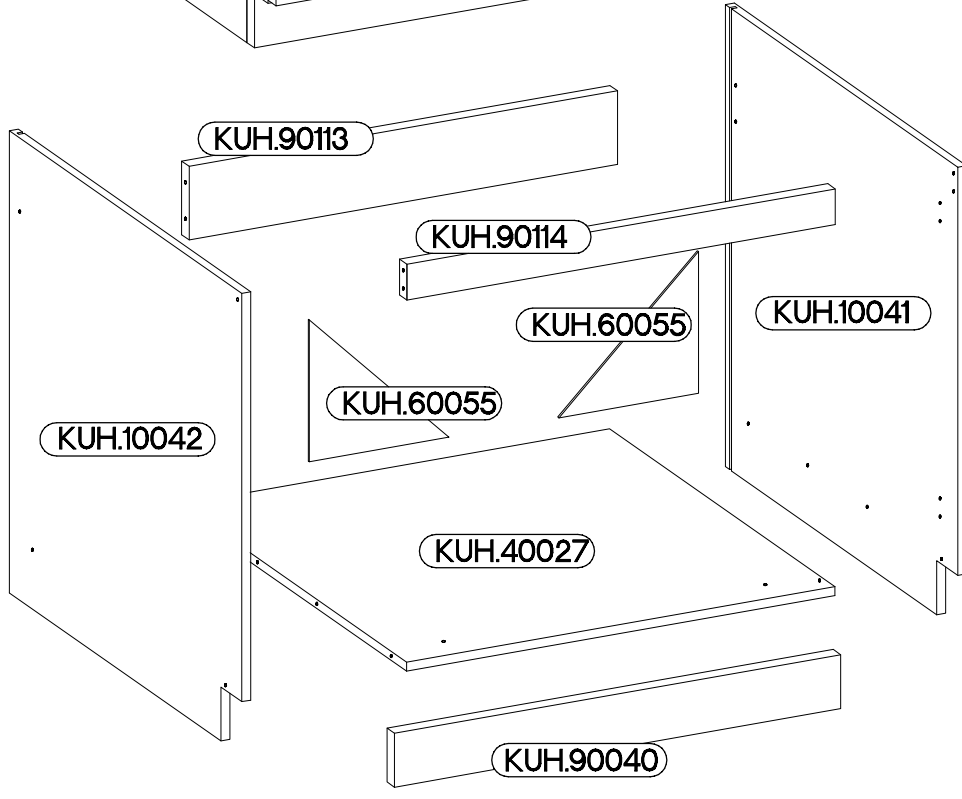
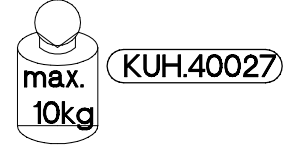
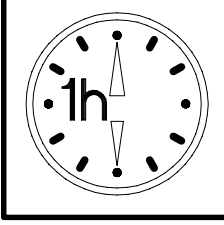
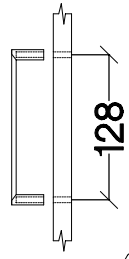
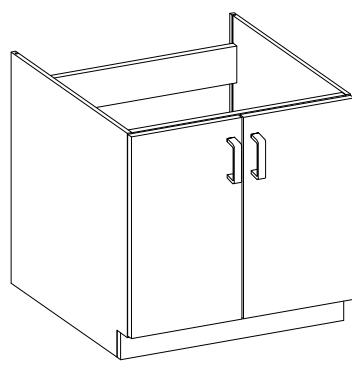
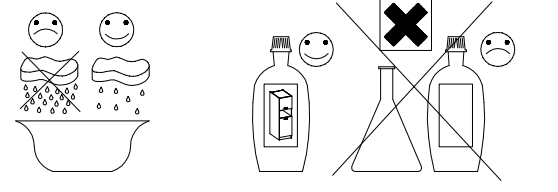
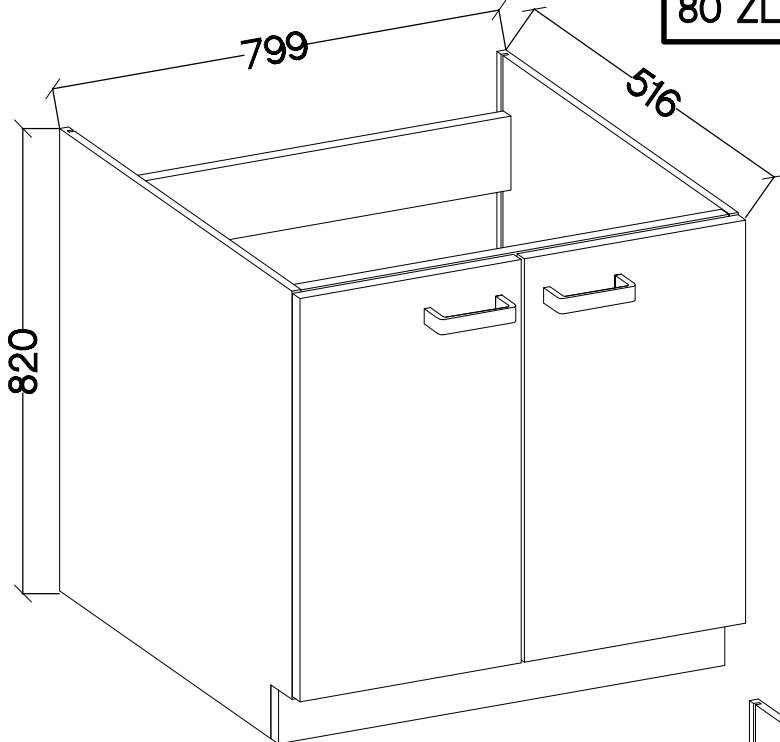


 A 8	 B 8	 C 1	 D 3	 E 6	 F 10-15	 H 4	 I 60	 J 4	 K 1	 L 2	
 S 2		 T 2									

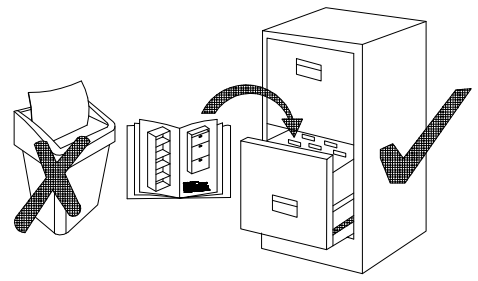




80 ZL 2F BB

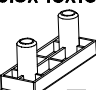
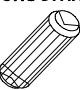
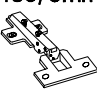



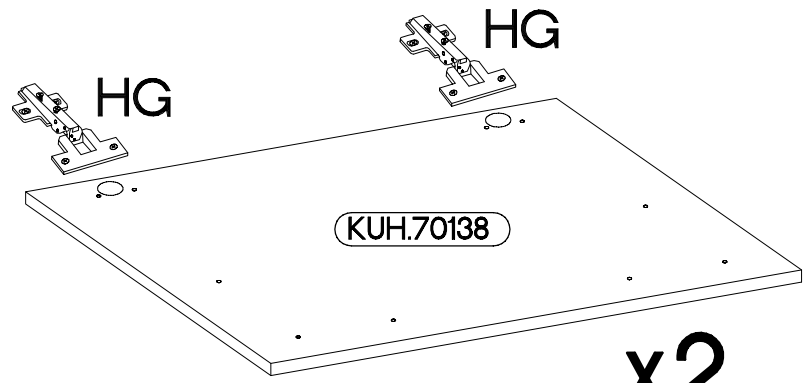
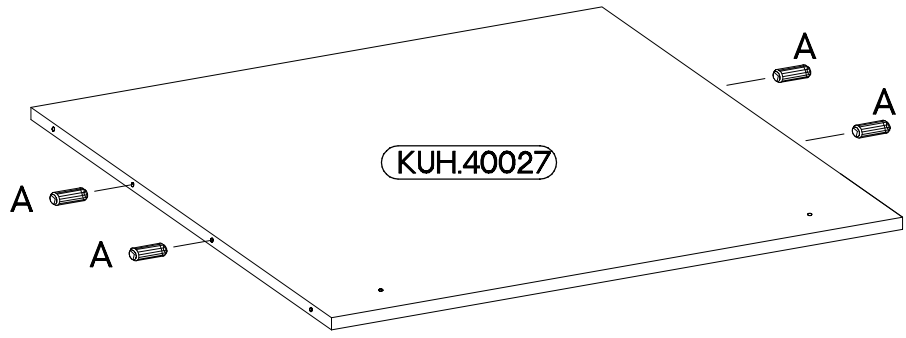
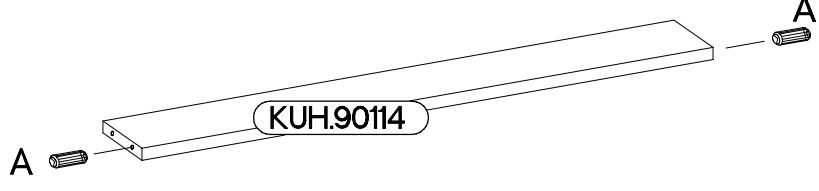
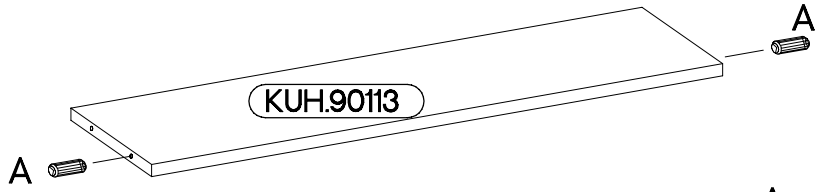
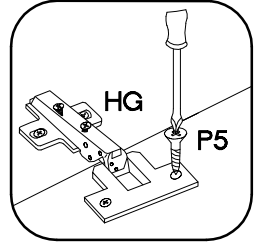
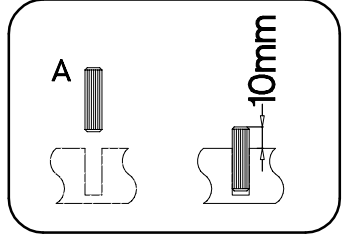
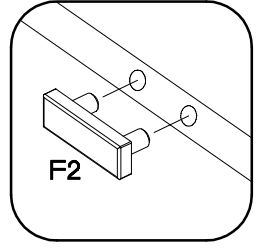
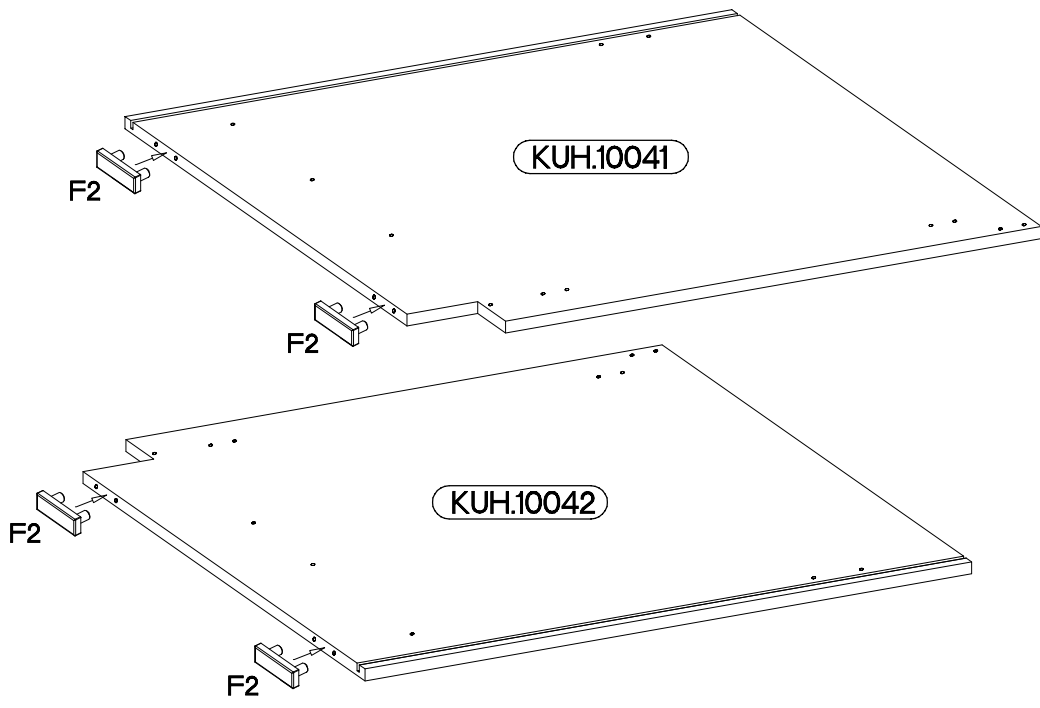
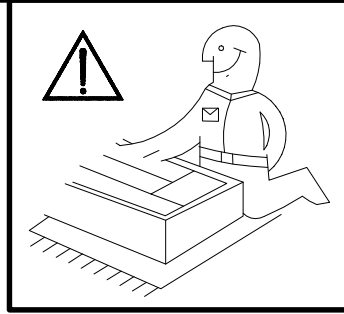
<p>±8x30mm</p> <p>A</p> <p>8</p>	<p>6,4 x 50mm</p> <p>B</p> <p>8</p>	<p>E1</p> <p>8</p>	<p>E9</p> <p>2</p>	<p>6.5x48x16</p> <p>F2</p> <p>4</p>	<p>±35/0mm</p> <p>HG</p> <p>4</p>
<p>O</p> <p>1</p>	<p>±4.0x45mm</p> <p>P4</p> <p>2</p>	<p>±3.5x13mm</p> <p>P5</p> <p>8</p>	<p>±3.0x20mm</p> <p>P7</p> <p>4</p>	<p>S23</p> <p>2</p>	<p>M4x22mm</p> <p>U</p> <p>4</p>



ISM-KUH-00927

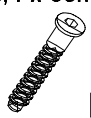
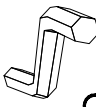

1

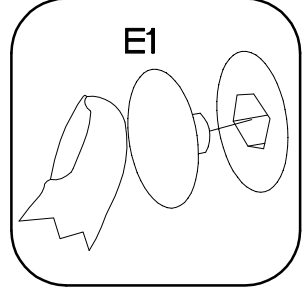
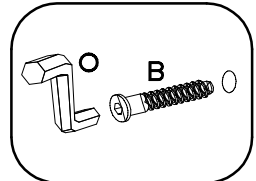
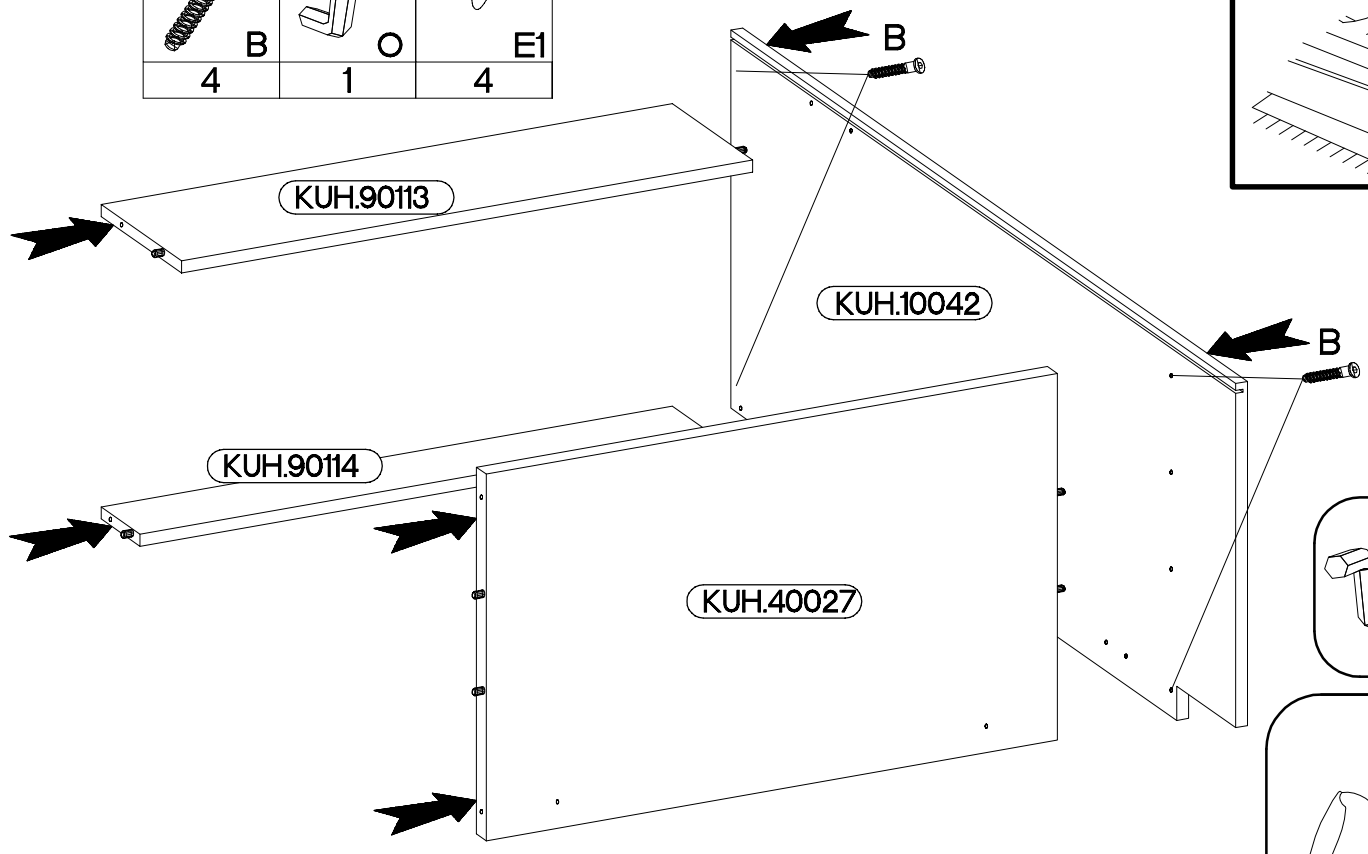
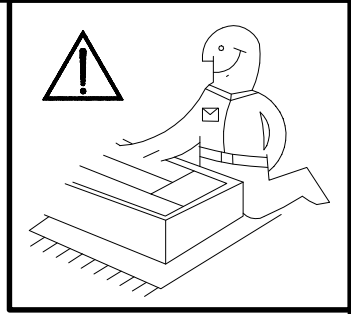
6.5x48x16  F2 4	±8x30mm  A 8	±35/0mm  HG 4	±3.5x13mm  P5 8
--	---	--	--




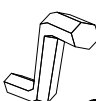

x2

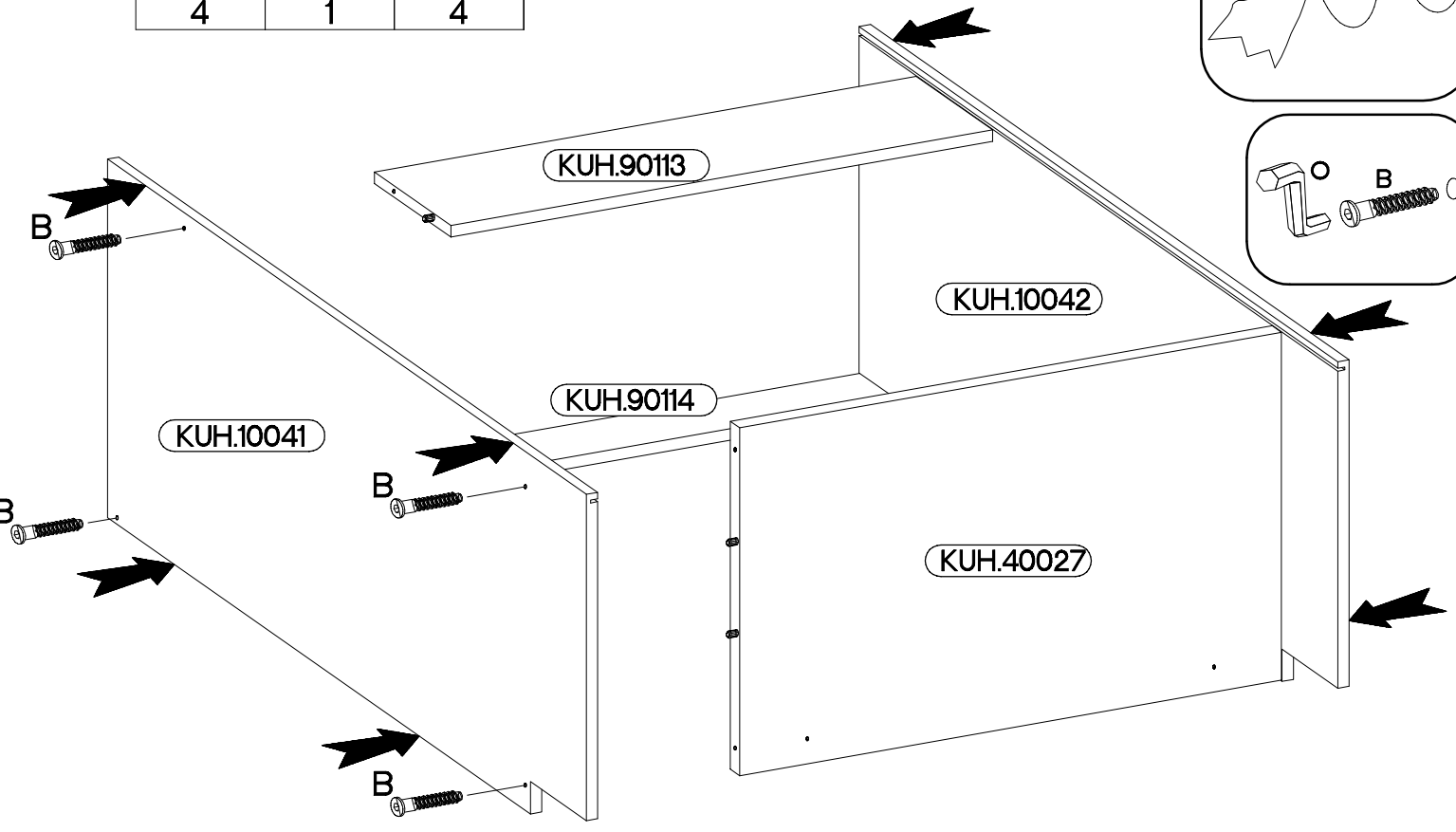
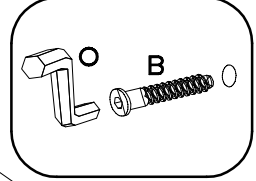
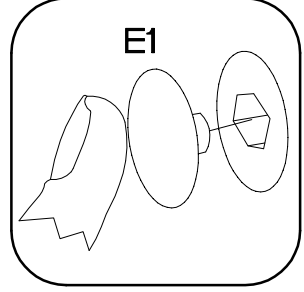
2

6,4 x 50mm		
		
B	O	E1
4	1	4




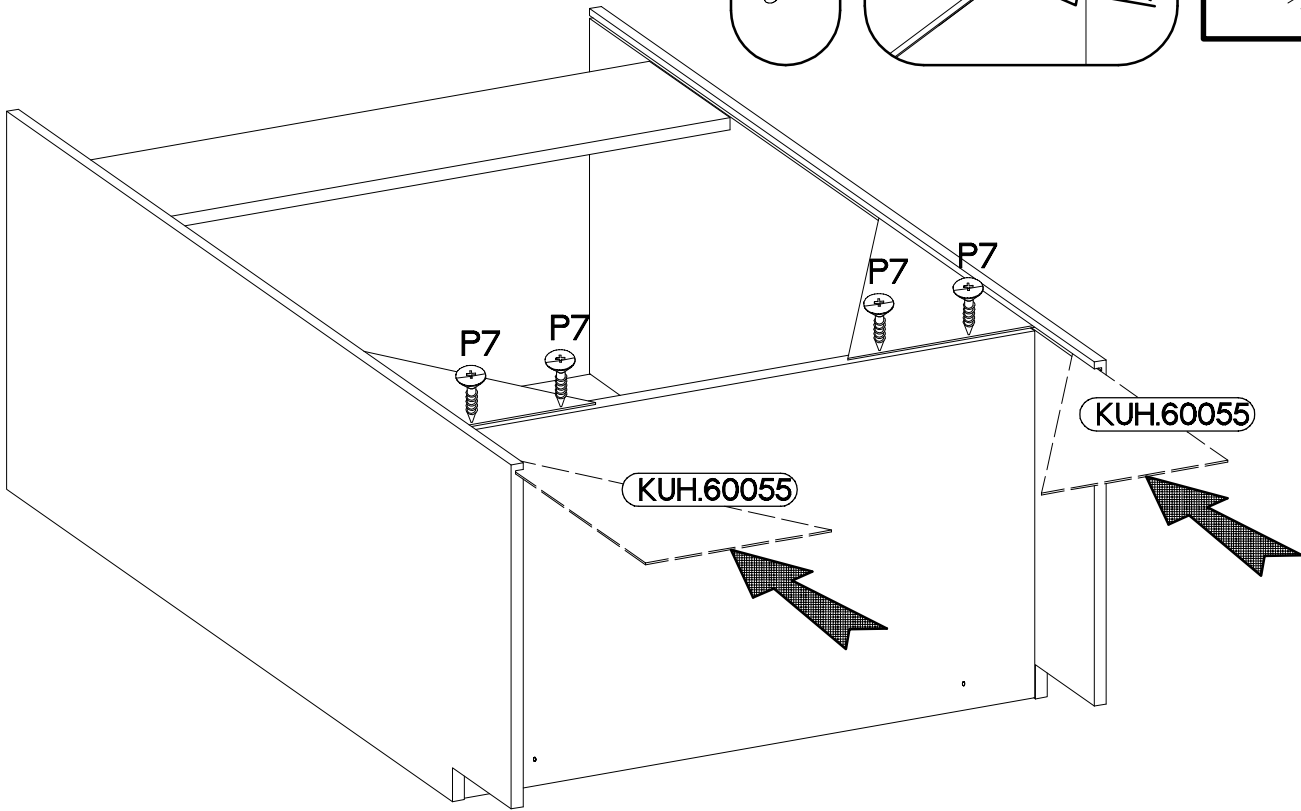
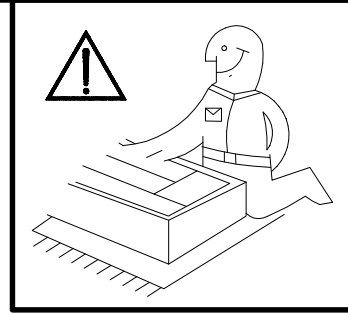
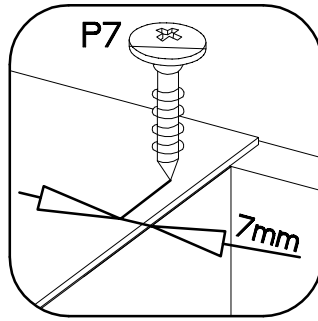
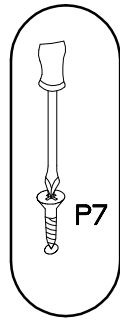
3

6,4 x 50mm		
		
B	O	E1
4	1	4





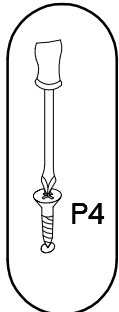
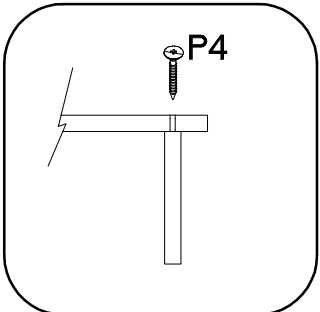
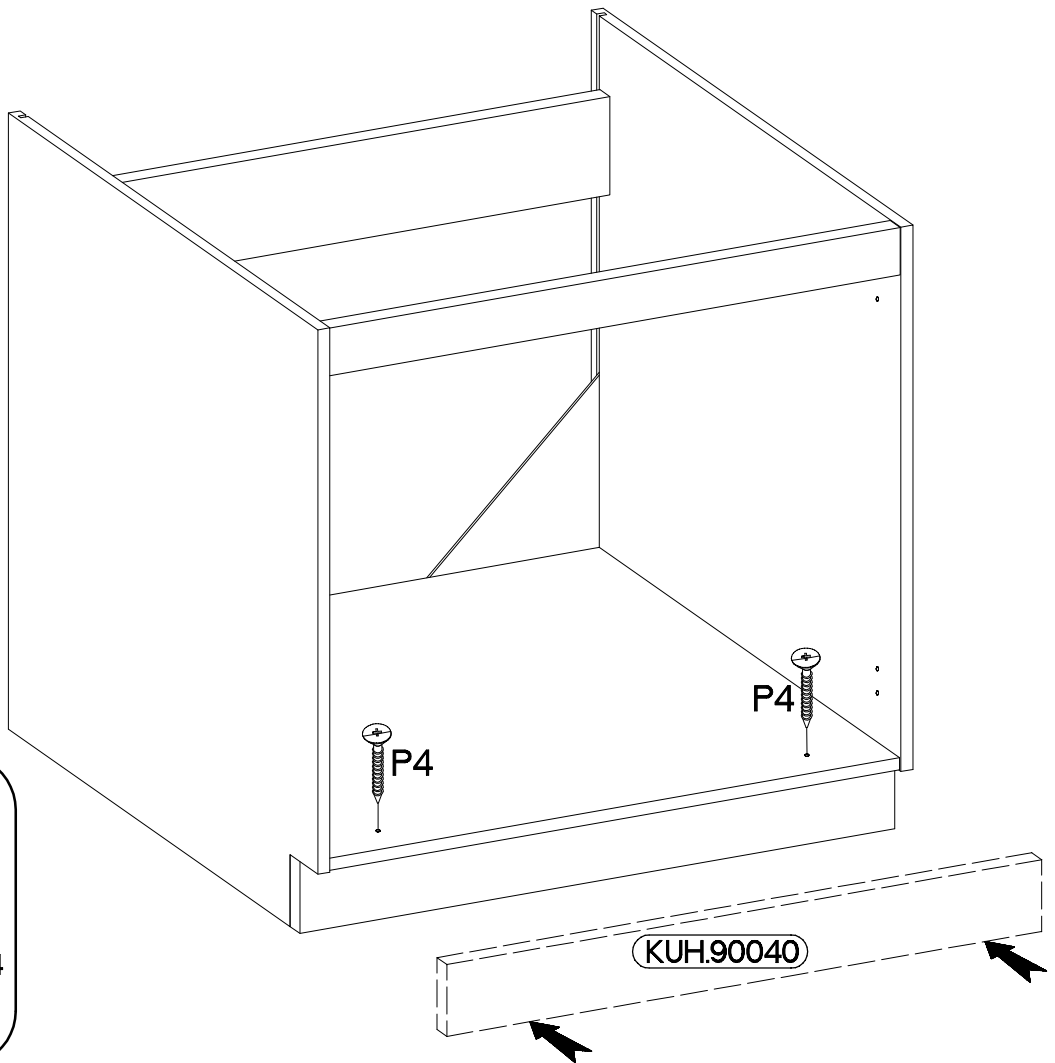
4

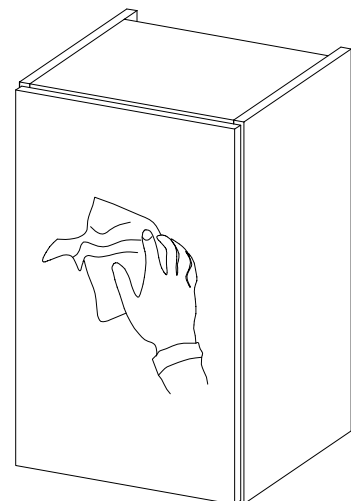
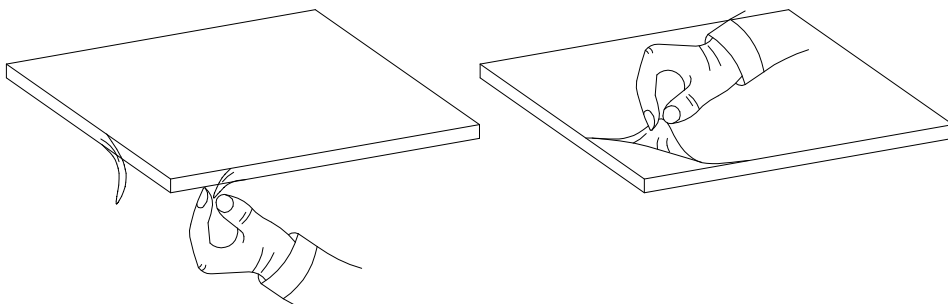
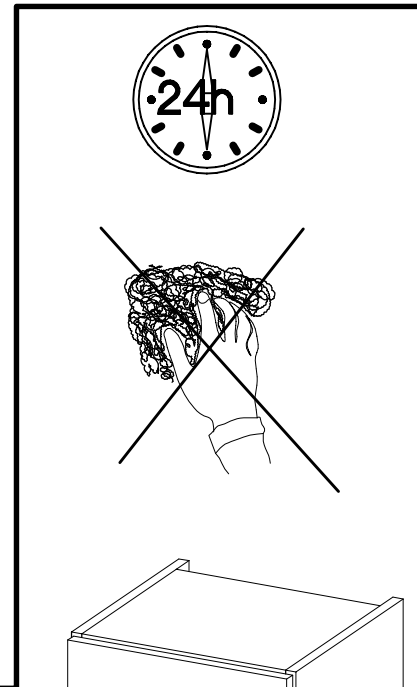
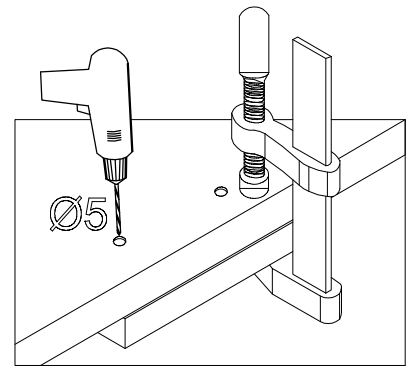
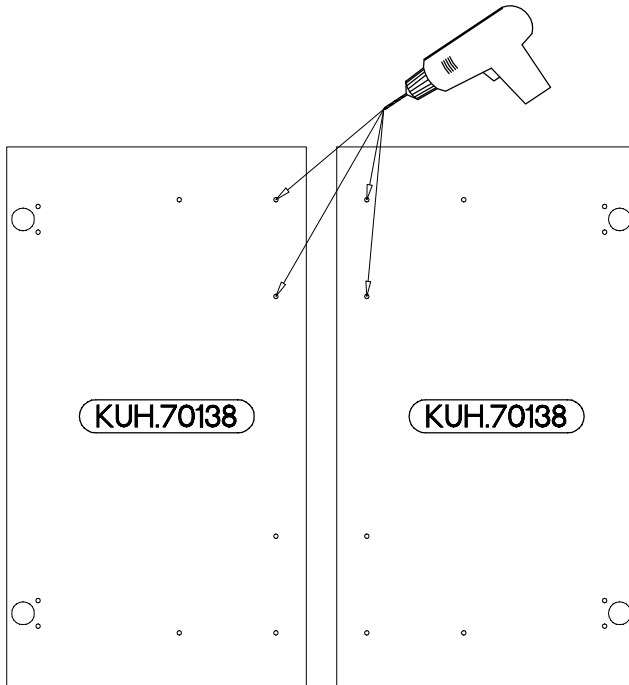
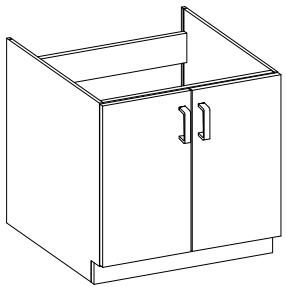
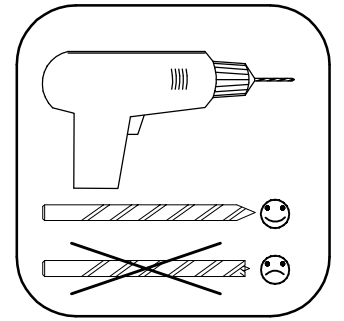
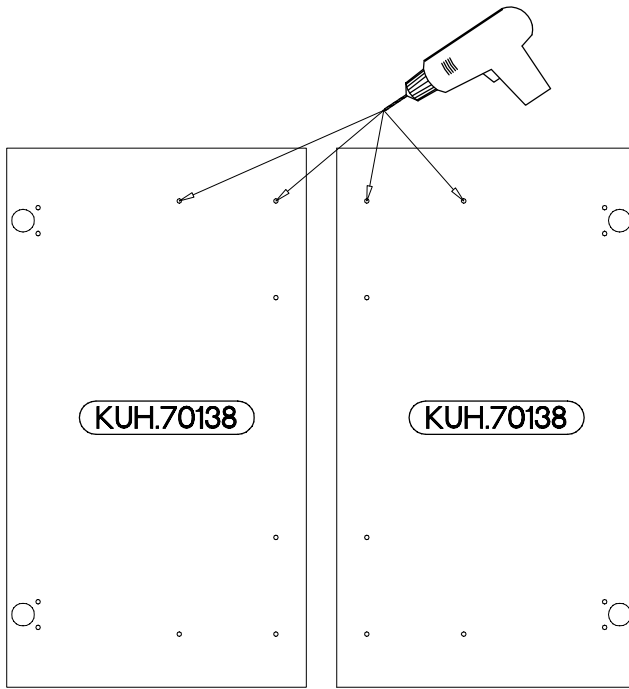
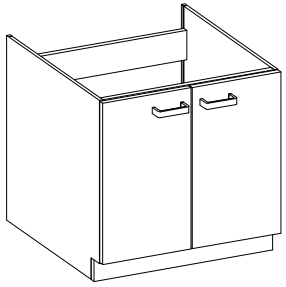
φ3.0x20mm

P7
4





5

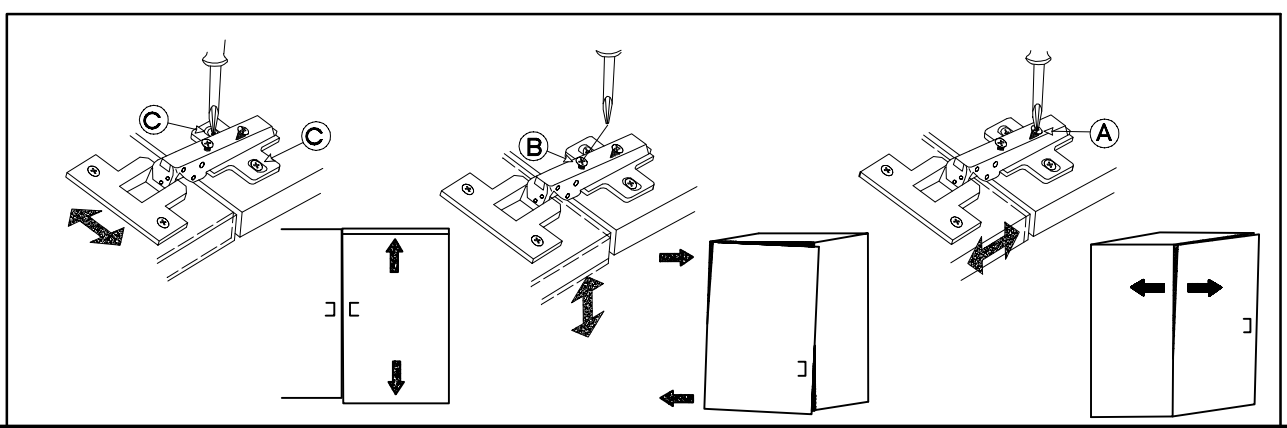
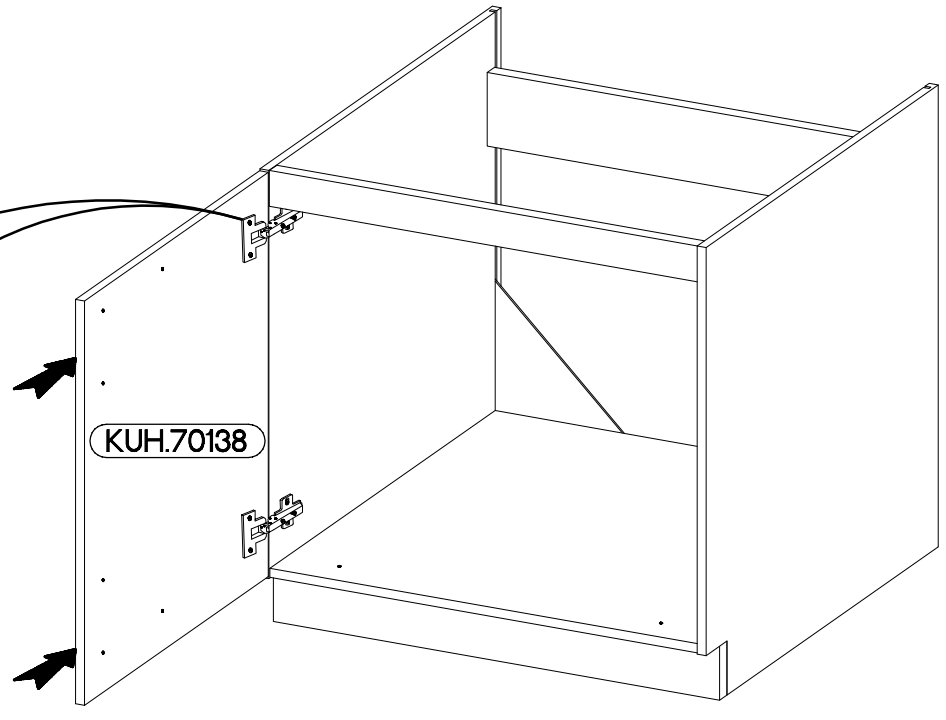
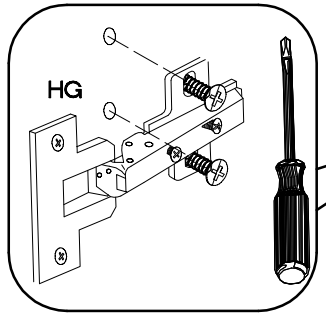
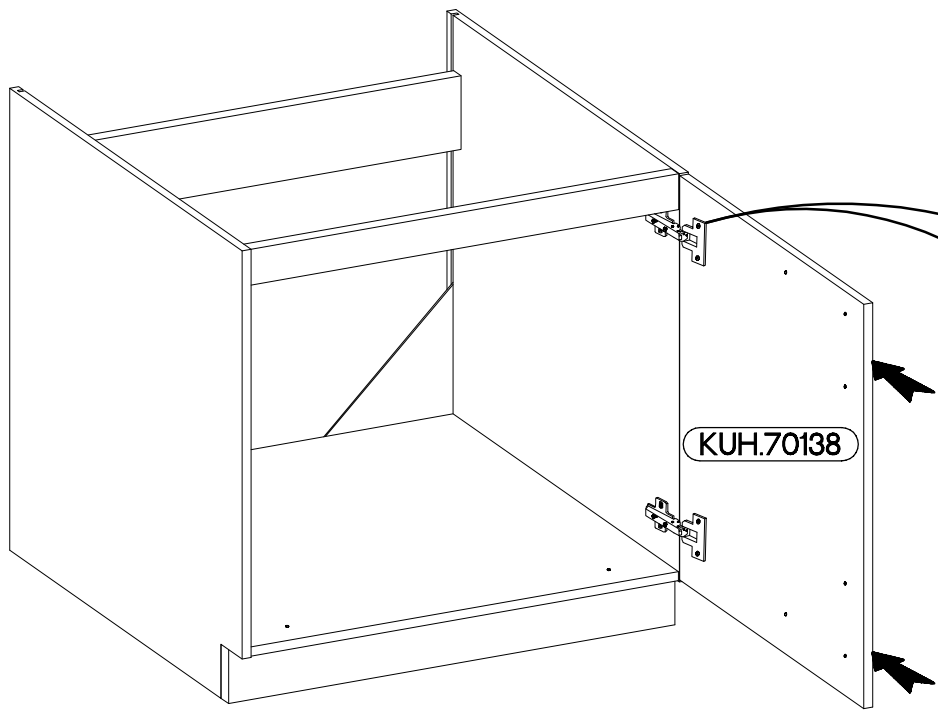
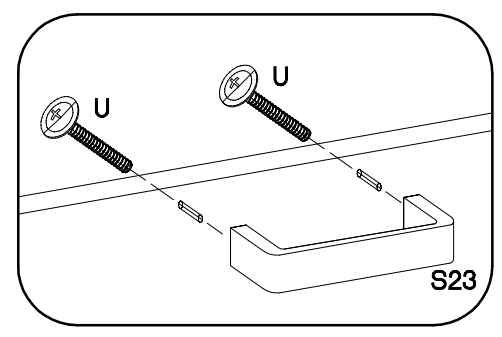
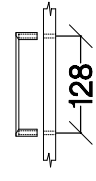
φ4.0x45mm	
	E9
2	2

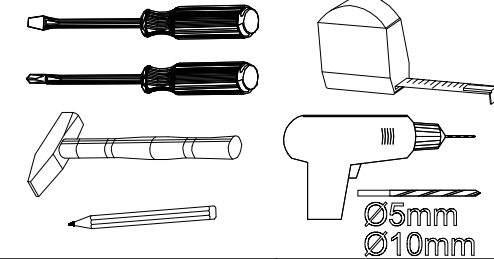




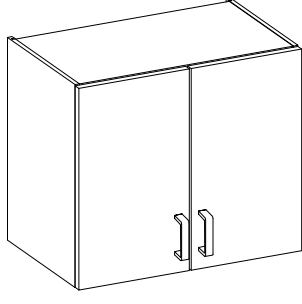
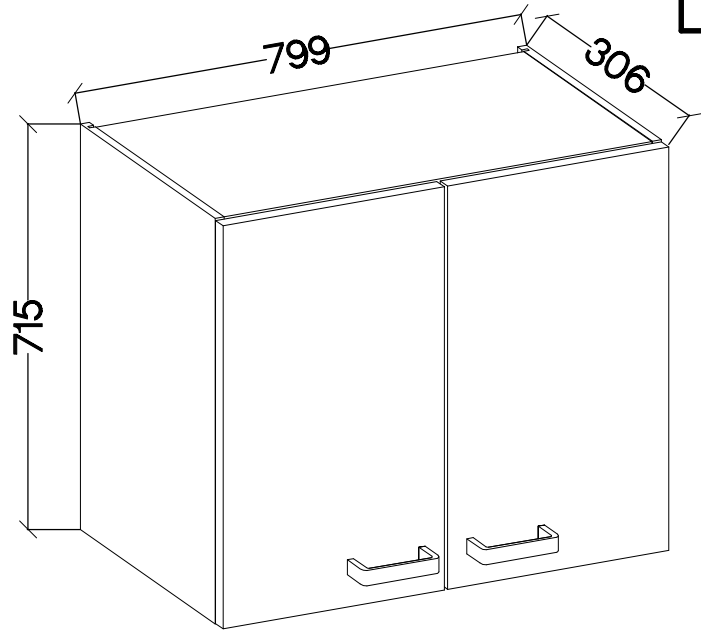
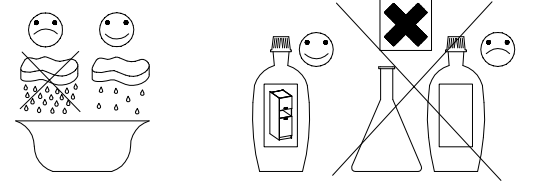
7

M4x22mm	
	
U	S23
4	2

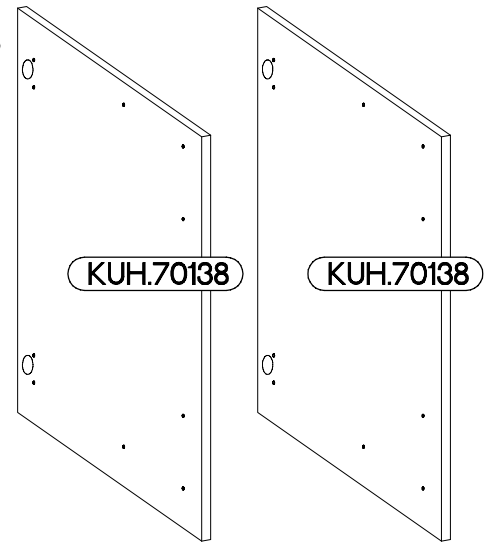
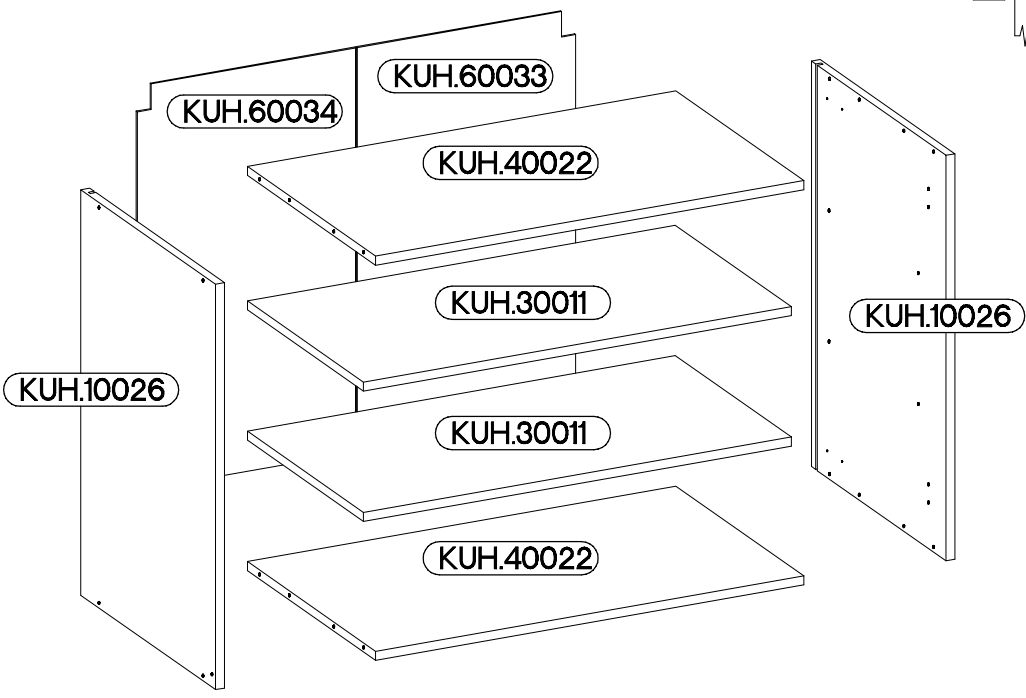
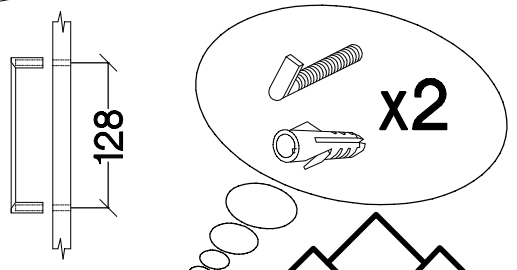
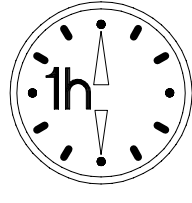




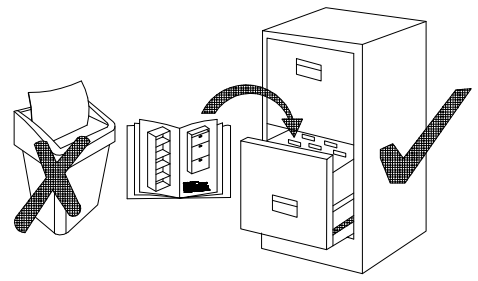
80 G-72 2F



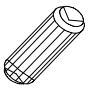
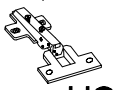

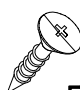
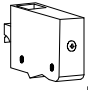
max. 5kg
 KUH.30011
 KUH.40022

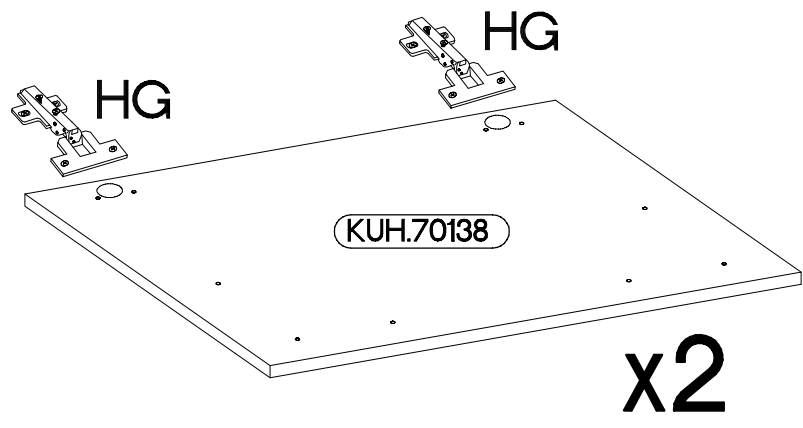
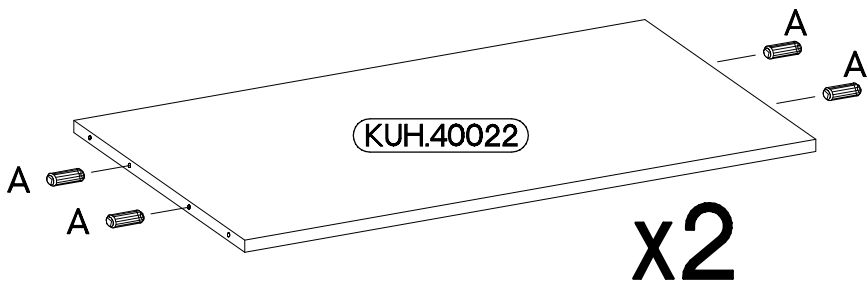
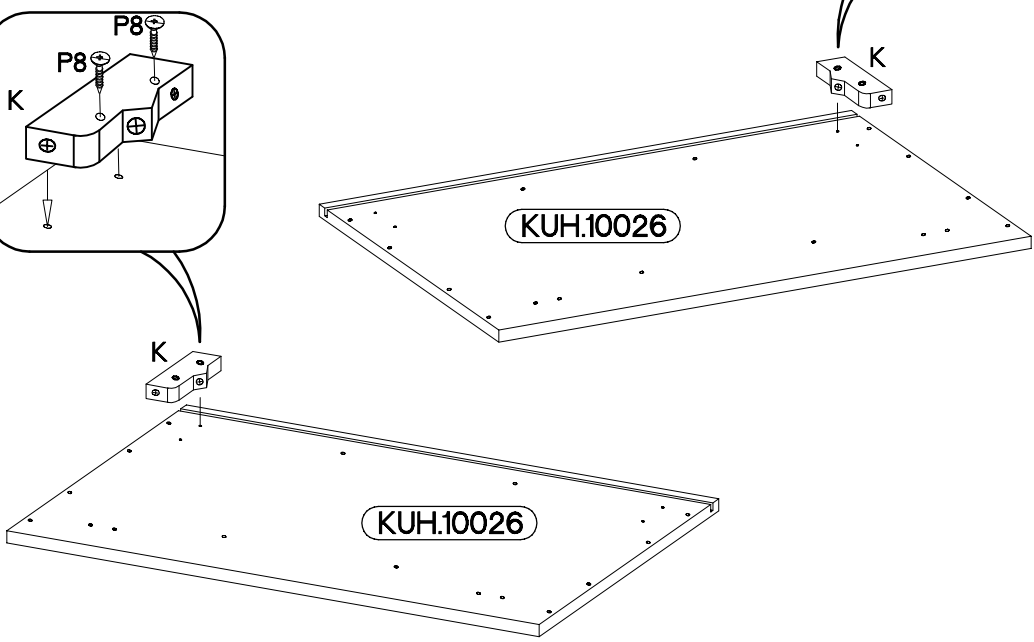
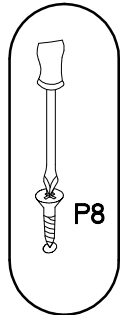
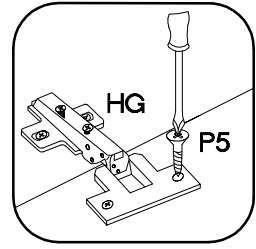
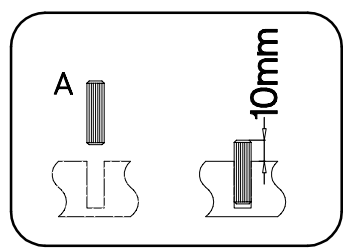
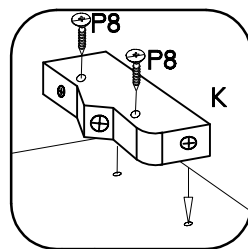
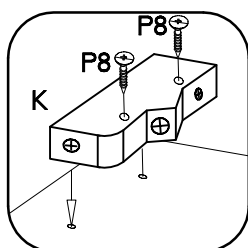
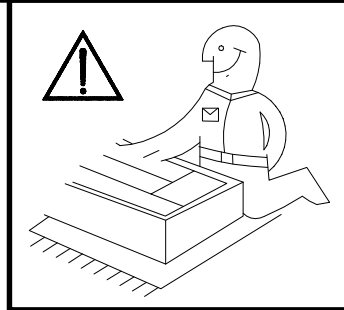


+8x30mm A 8	6,4 x 50mm B 8	E1 8	+35/0mm HG 4	+5/19mm J 8	K 2	L1=680mm L1 1
O 1	+3.5x13mm P5 8	+3.0x20mm P7 10-15	+4.0x30mm P8 4	S23 2	M4x22mm U 4	

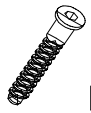
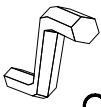



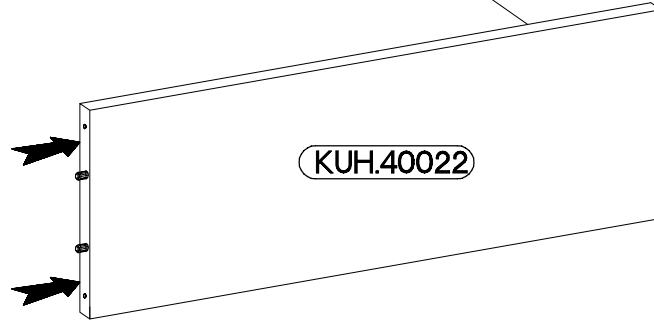
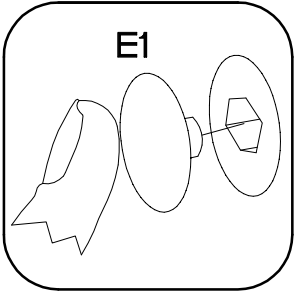
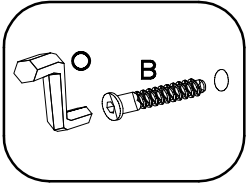
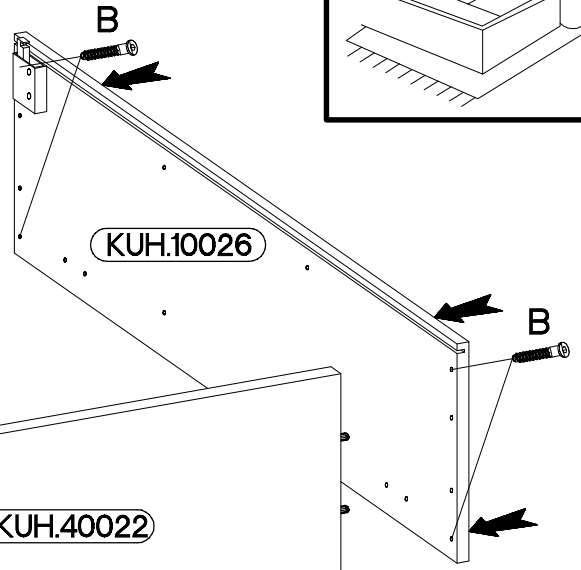
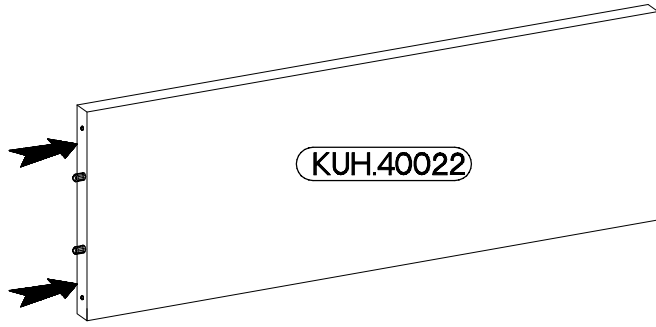
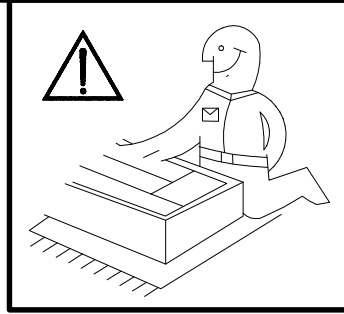
ISM-KUH-00931

+8x30mm  A 8	+35/0mm  HG 4	+3.5x13mm  P5 8	+4.0x30mm  P8 4	 K 2
---	--	--	--	--


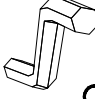



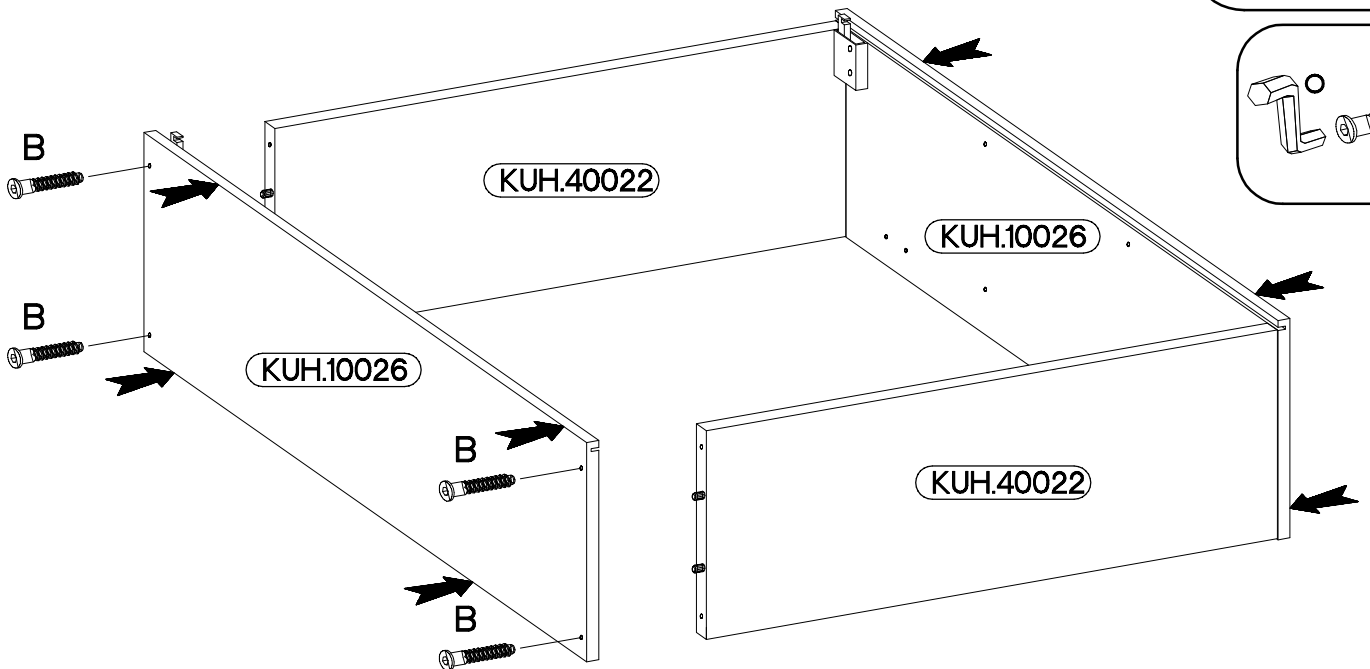
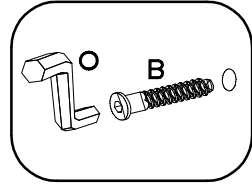
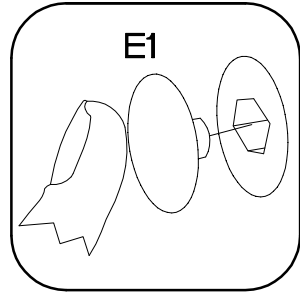
2

6,4 x 50mm		
		
B	O	E1
4	1	4

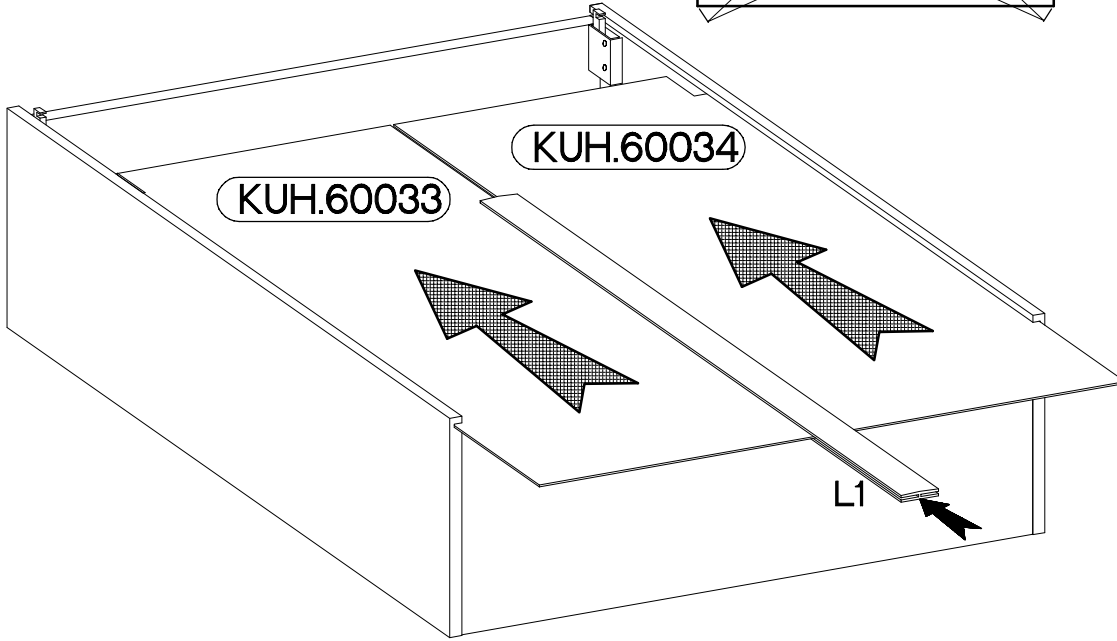
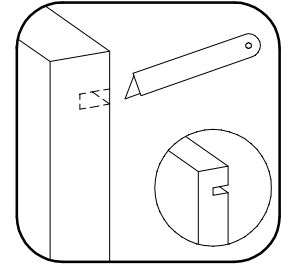
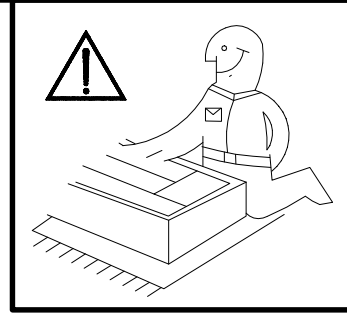
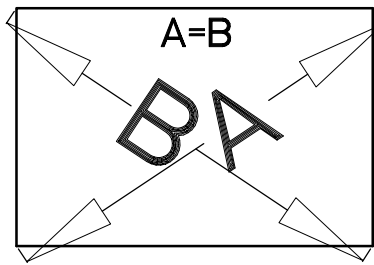
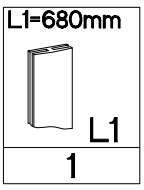


3

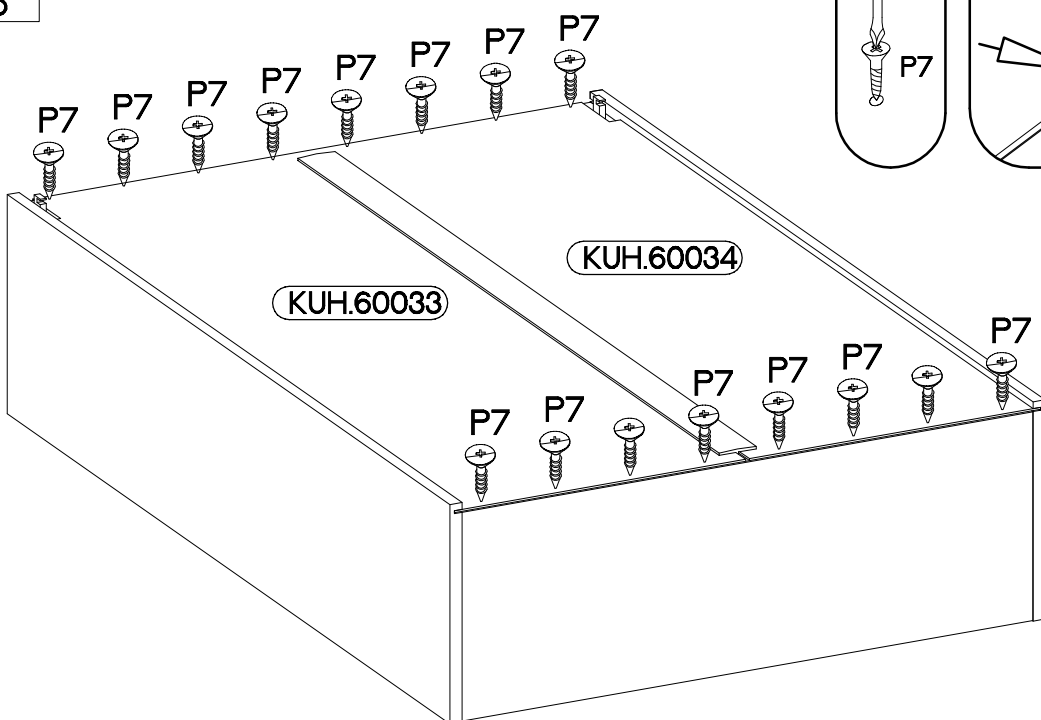
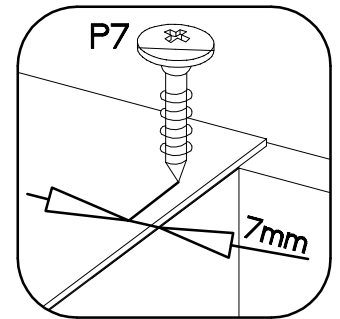
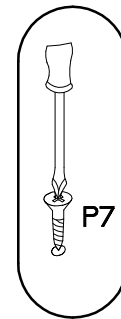
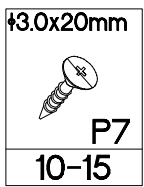
6,4 x 50mm		
		
B	O	E1
4	1	4



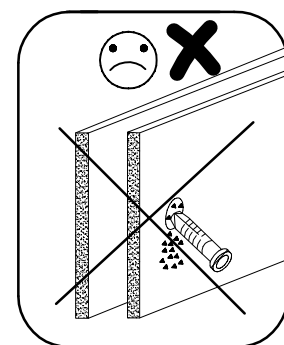
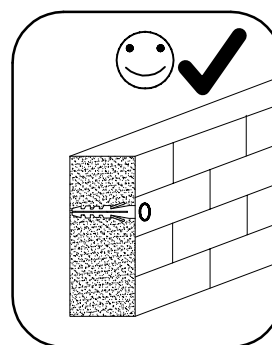
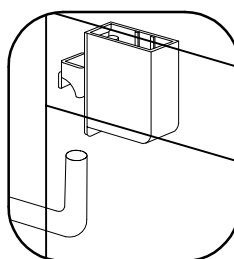
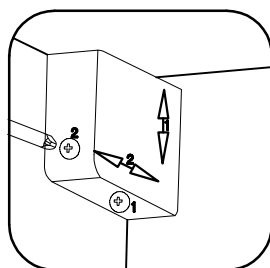
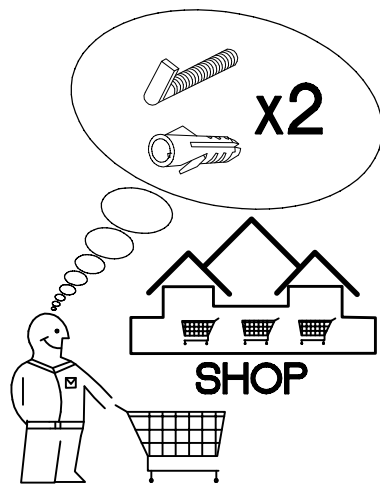
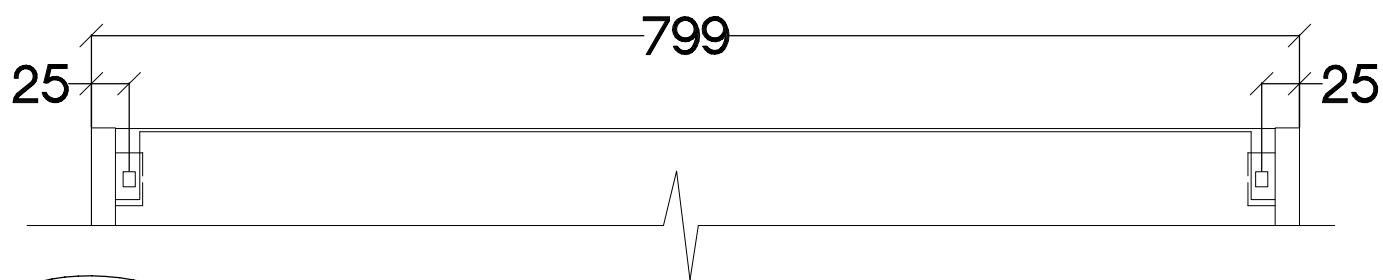
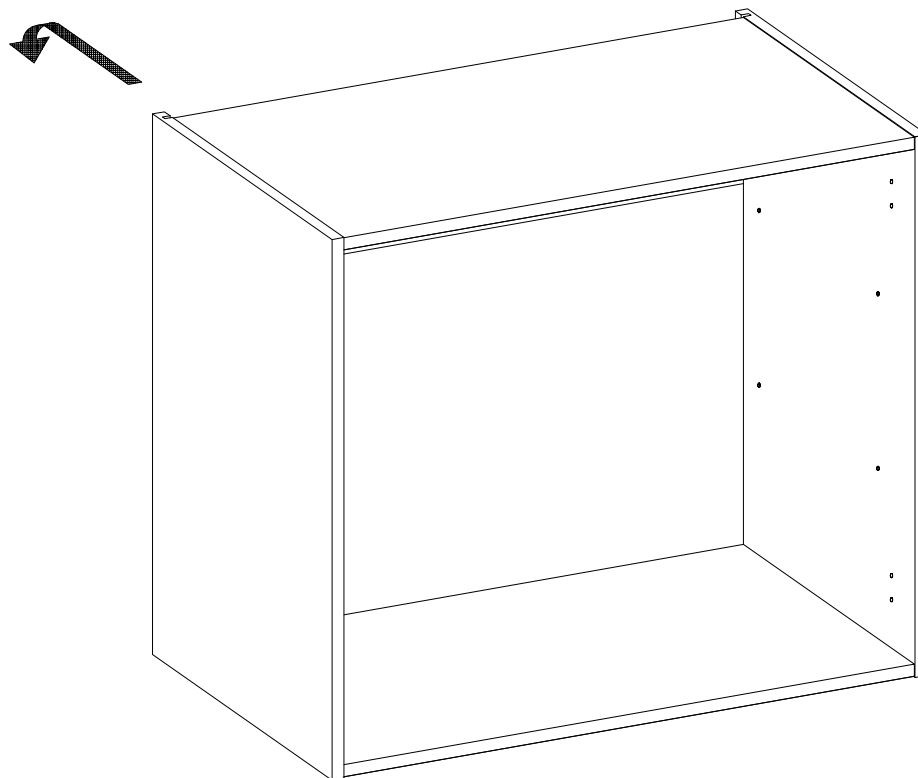
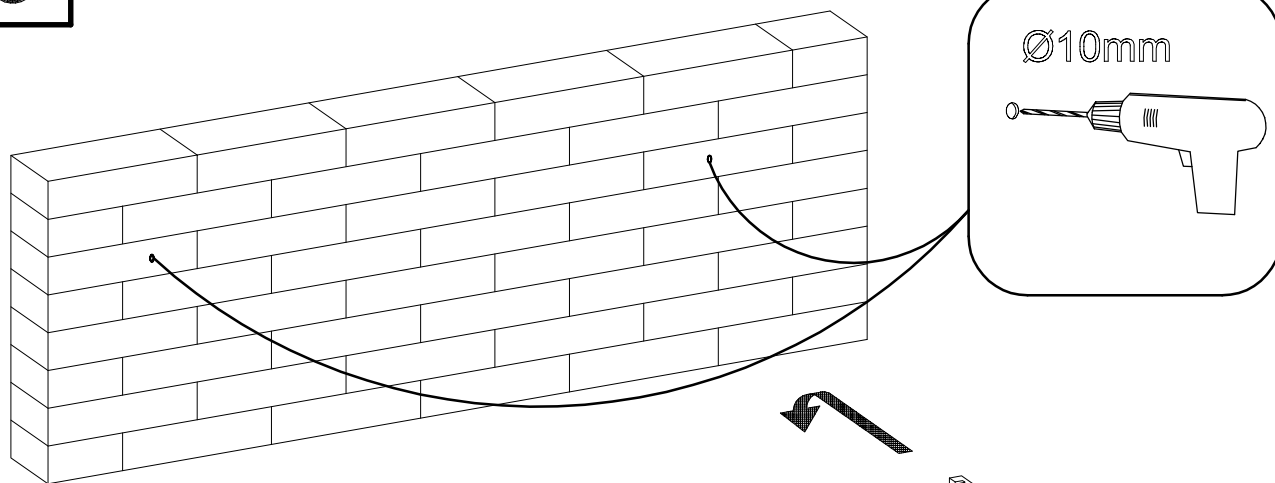
4



5

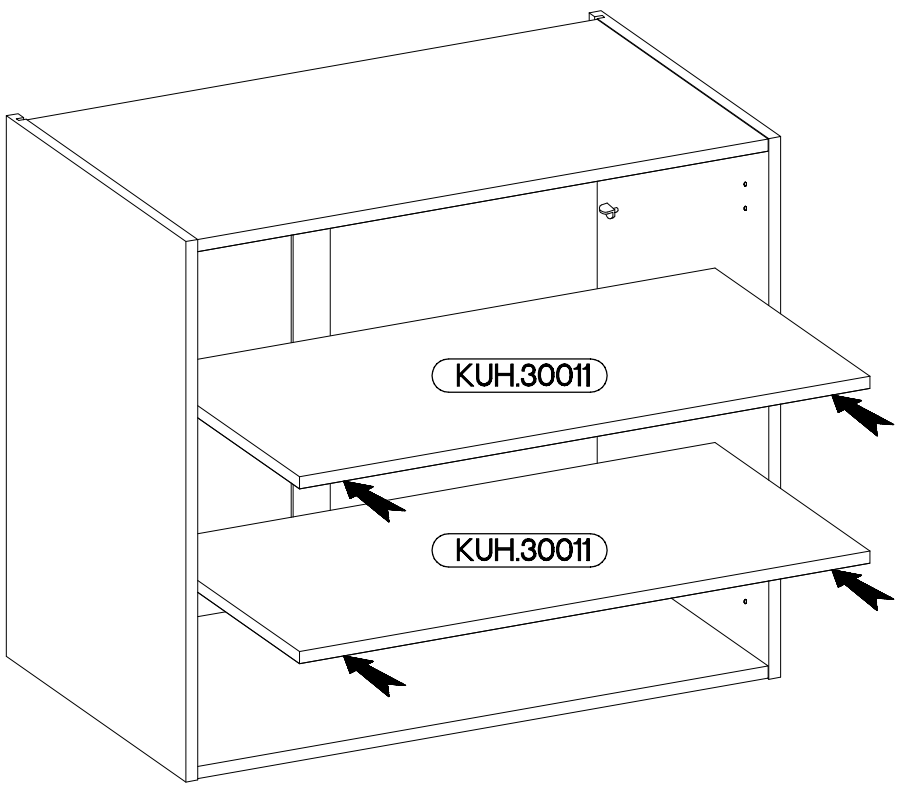
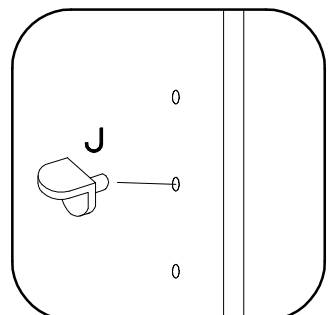


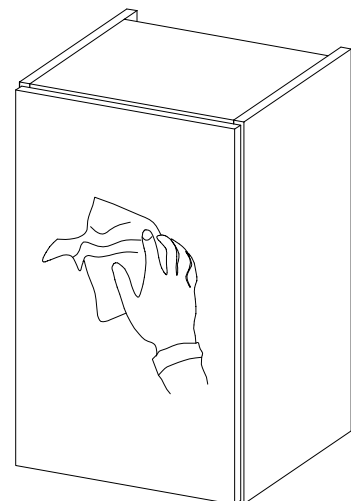
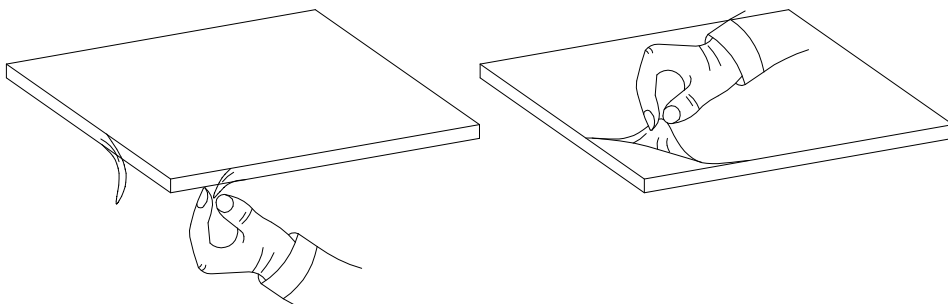
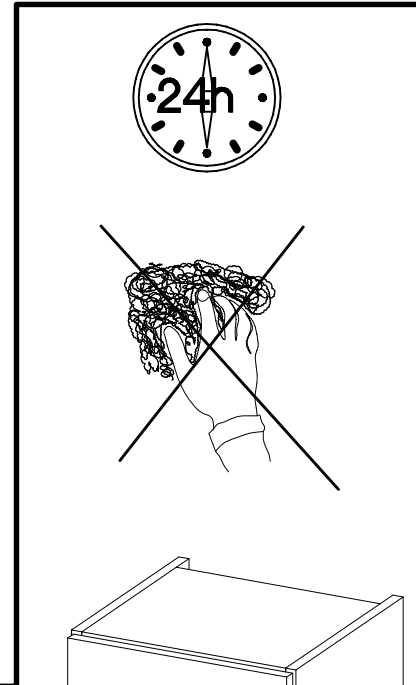
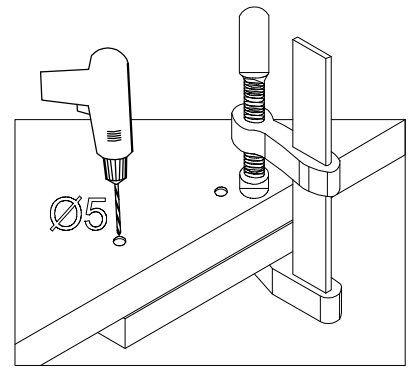
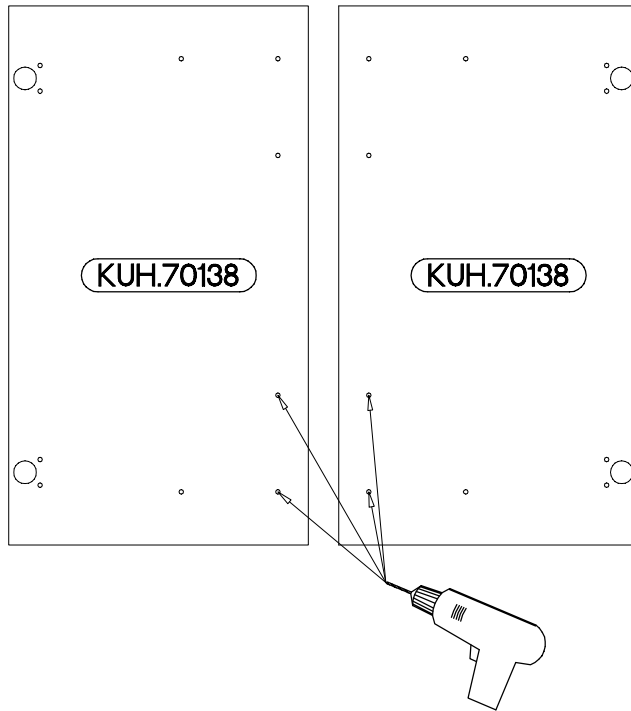
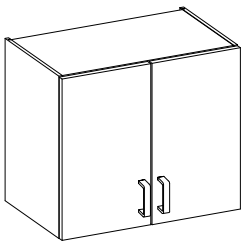
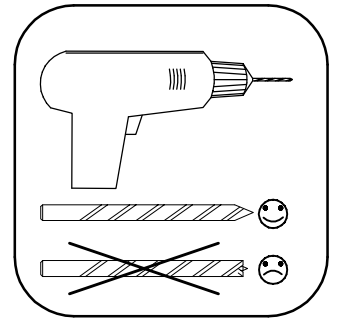
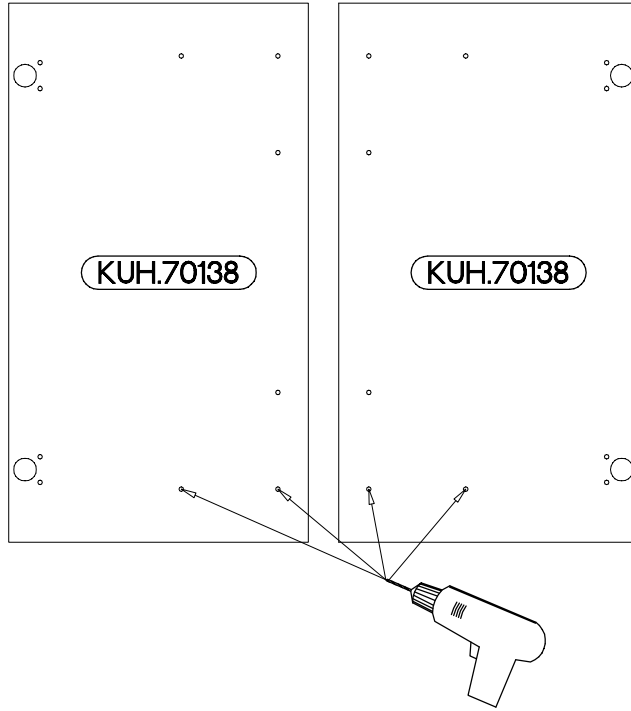
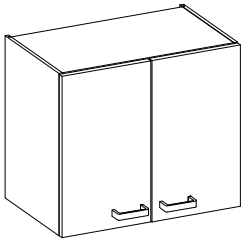
6





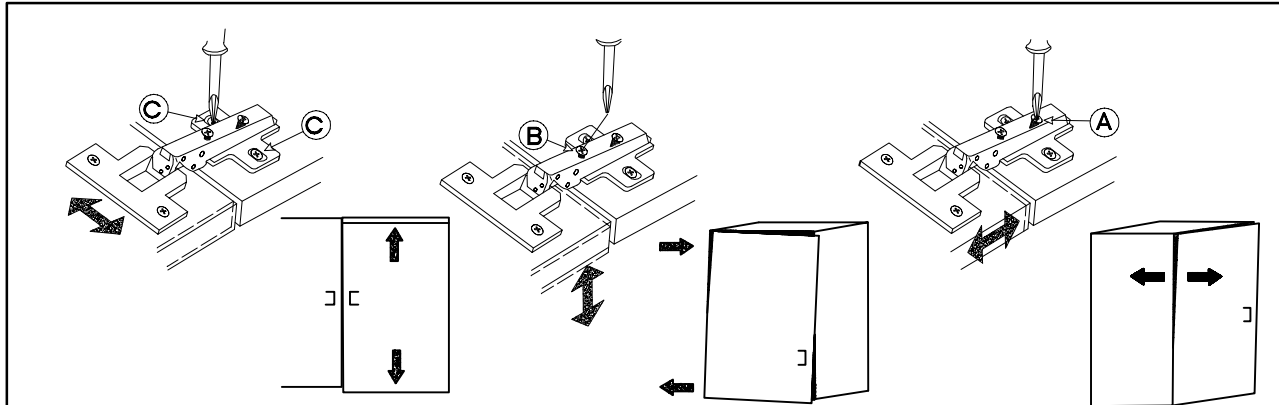
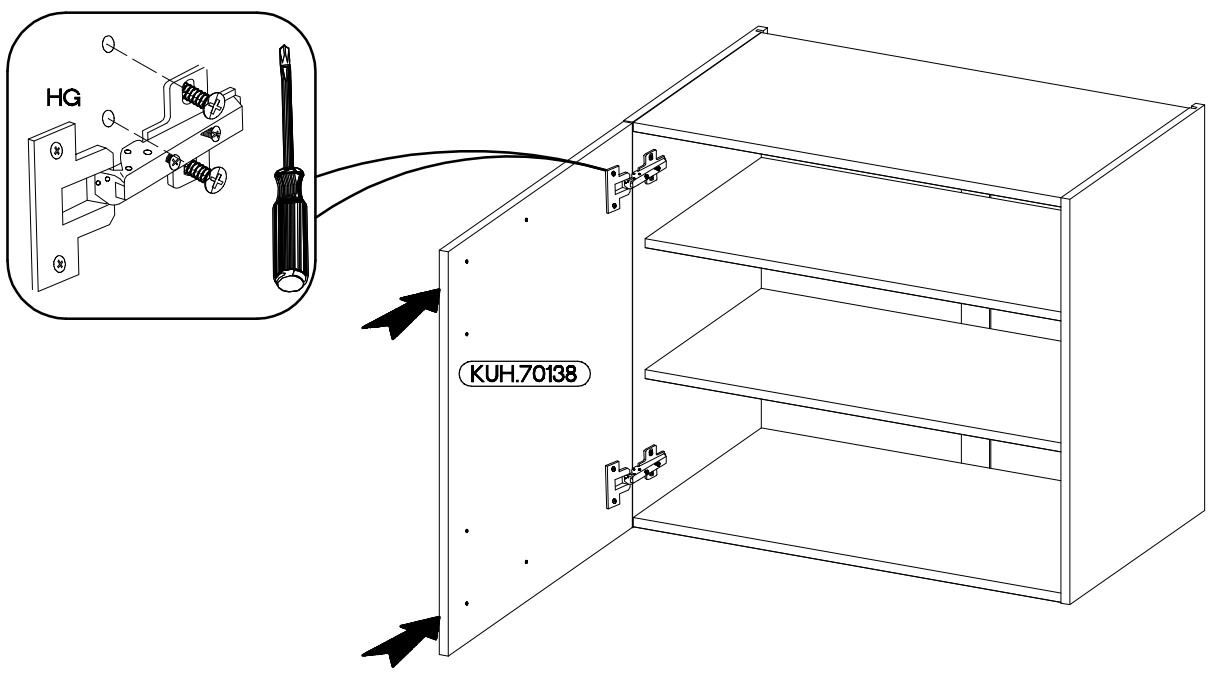
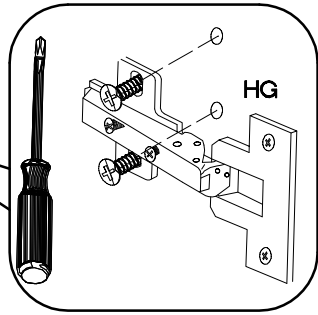
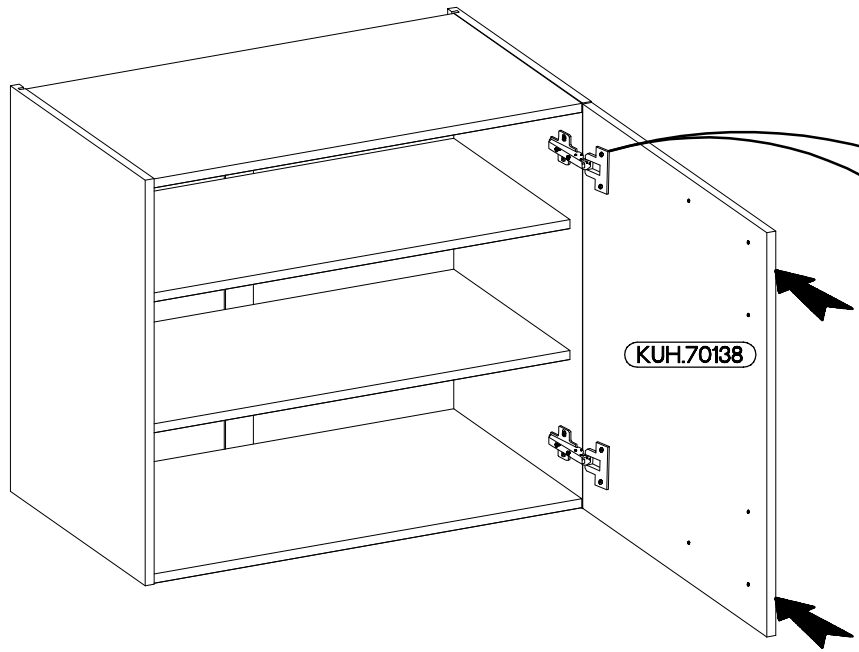
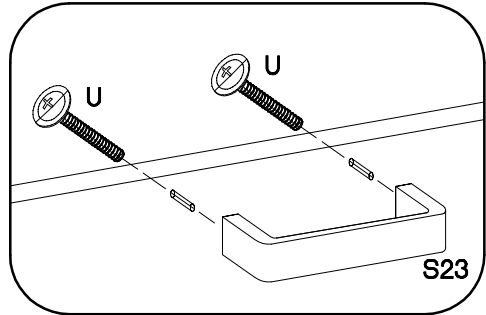
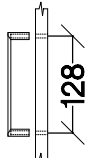
7

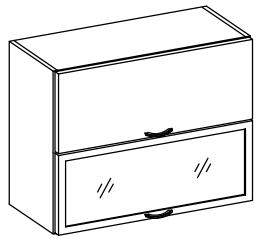
+5/19mm
J
4

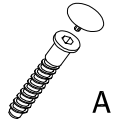
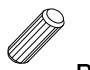
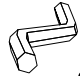



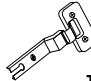
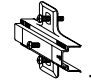
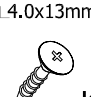
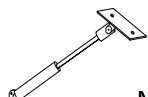

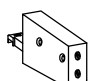

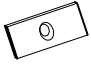


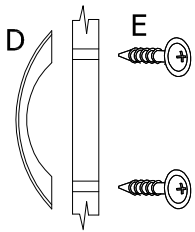
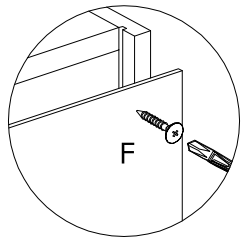
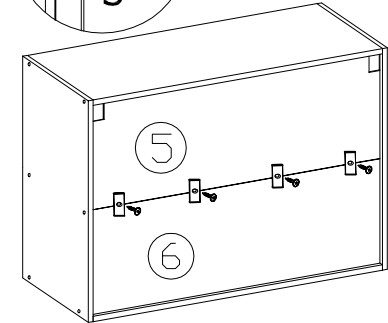
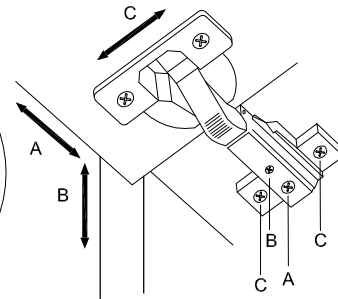
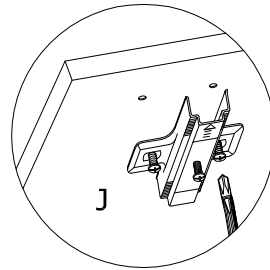
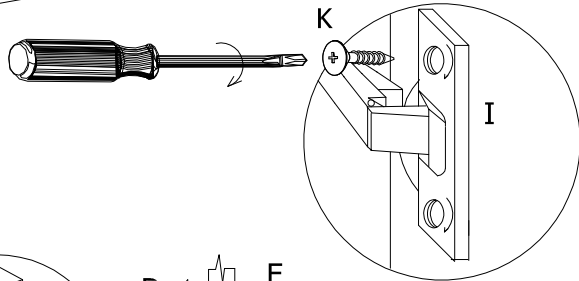
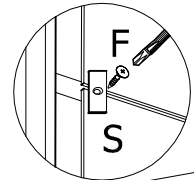
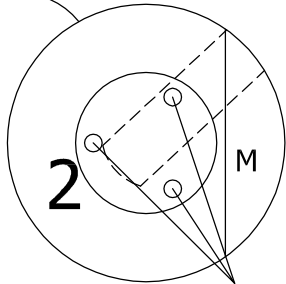
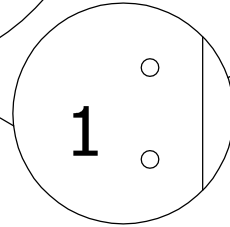
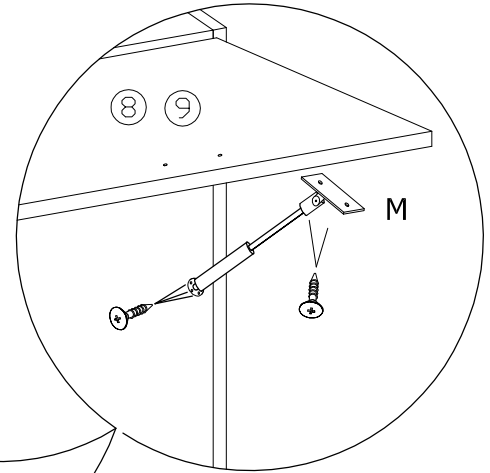
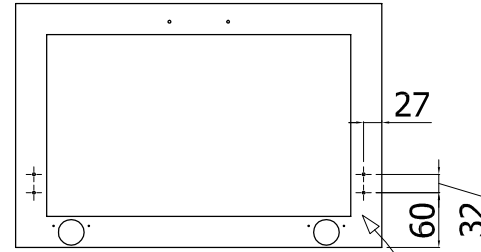
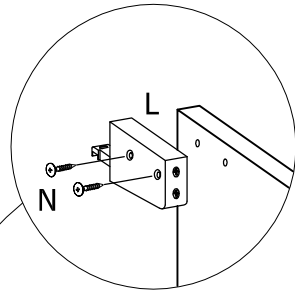
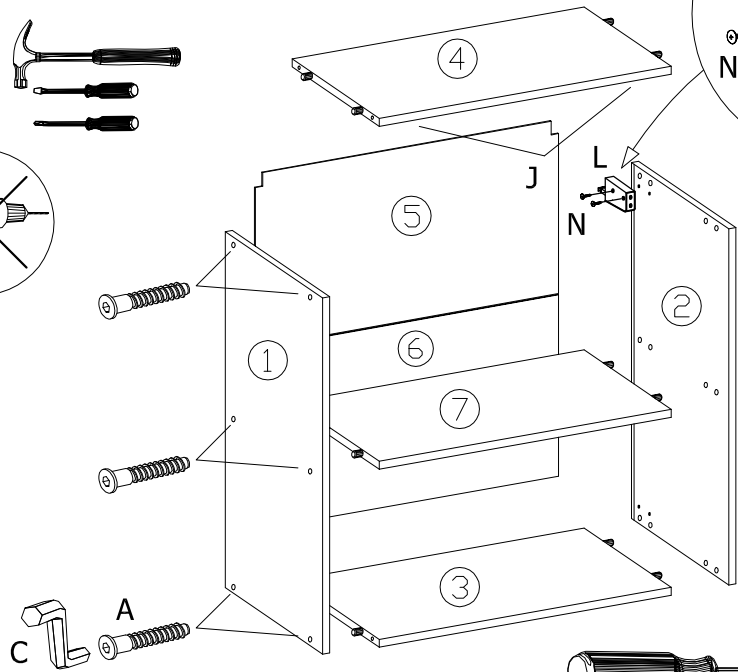
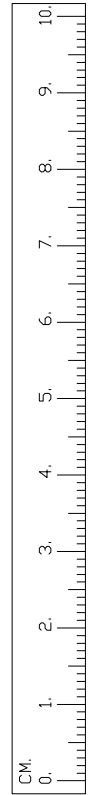
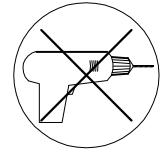
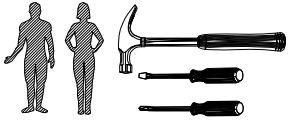


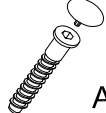

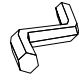




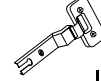
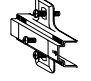

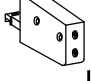

M4x22mm	
	
U	S23
4	2

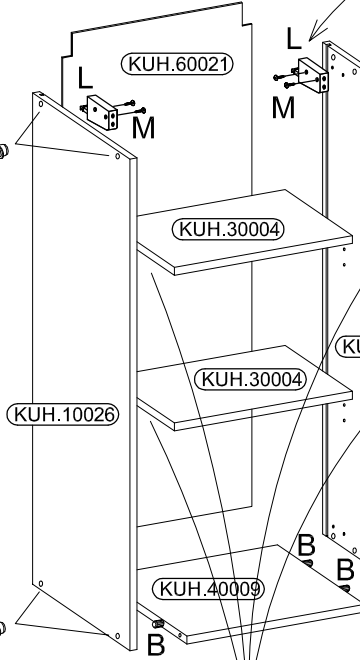
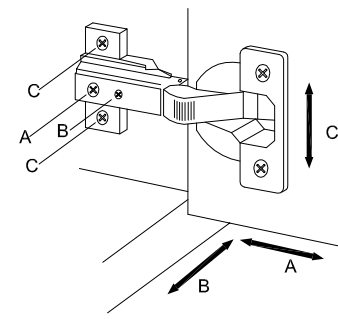
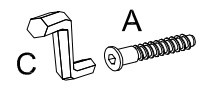
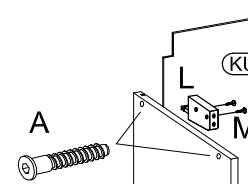
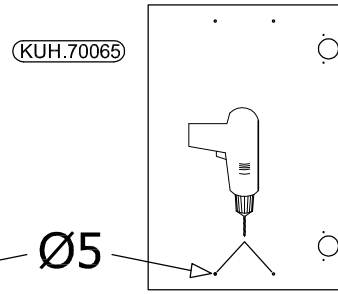
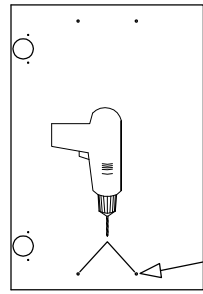
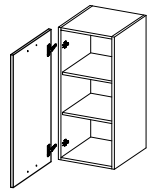
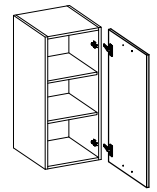
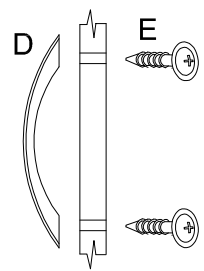
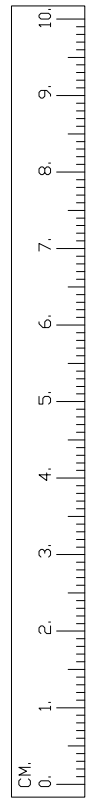
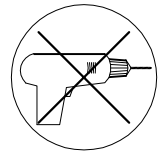
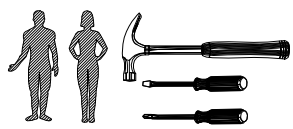
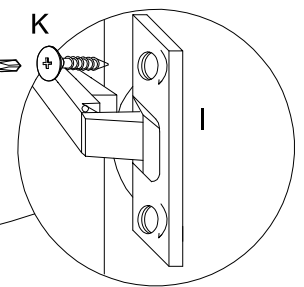
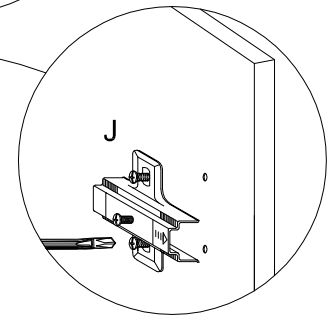
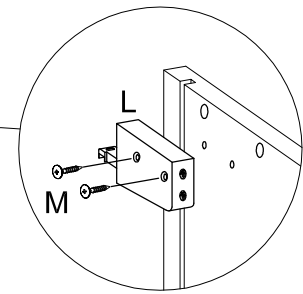
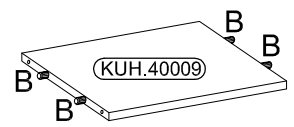
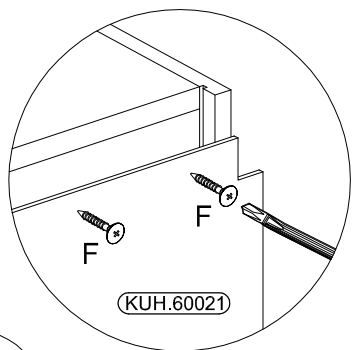
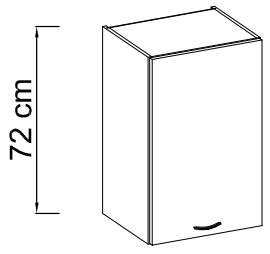




 A	 B	 C	 D	 E	 F	 I	 J	 K	 M	 O	 L	 N
12	12	1	2	4	15	4	4	8	4	4	2	4
 S 4												



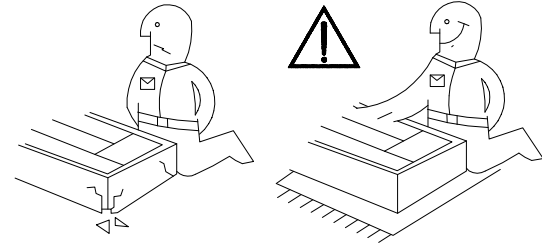
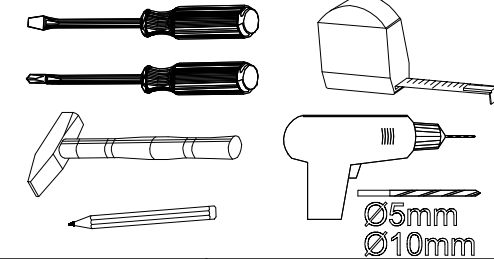
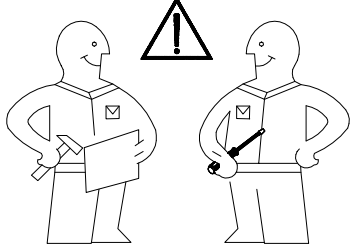
											
A	B	C	D	E	F	G	I	J	K	L	M
8	8	1	1	2	10-15	8	2	2	4	2	4



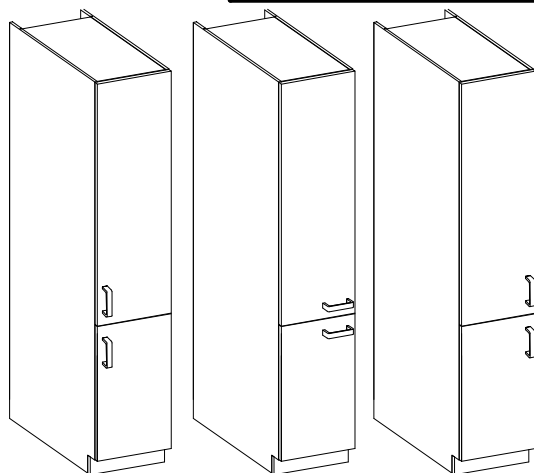
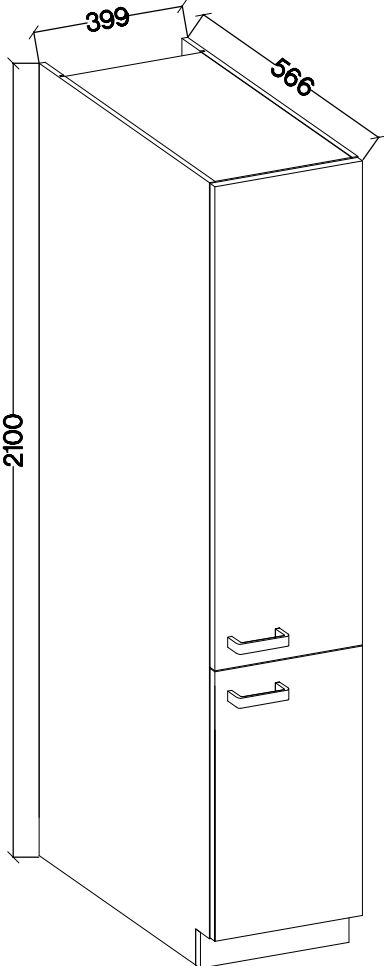
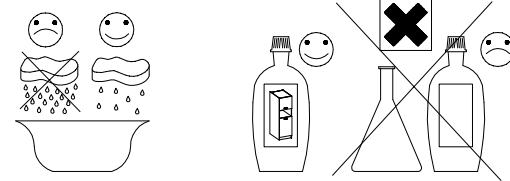
KUH.10026

KUH.70065

ISM-KUH-00431

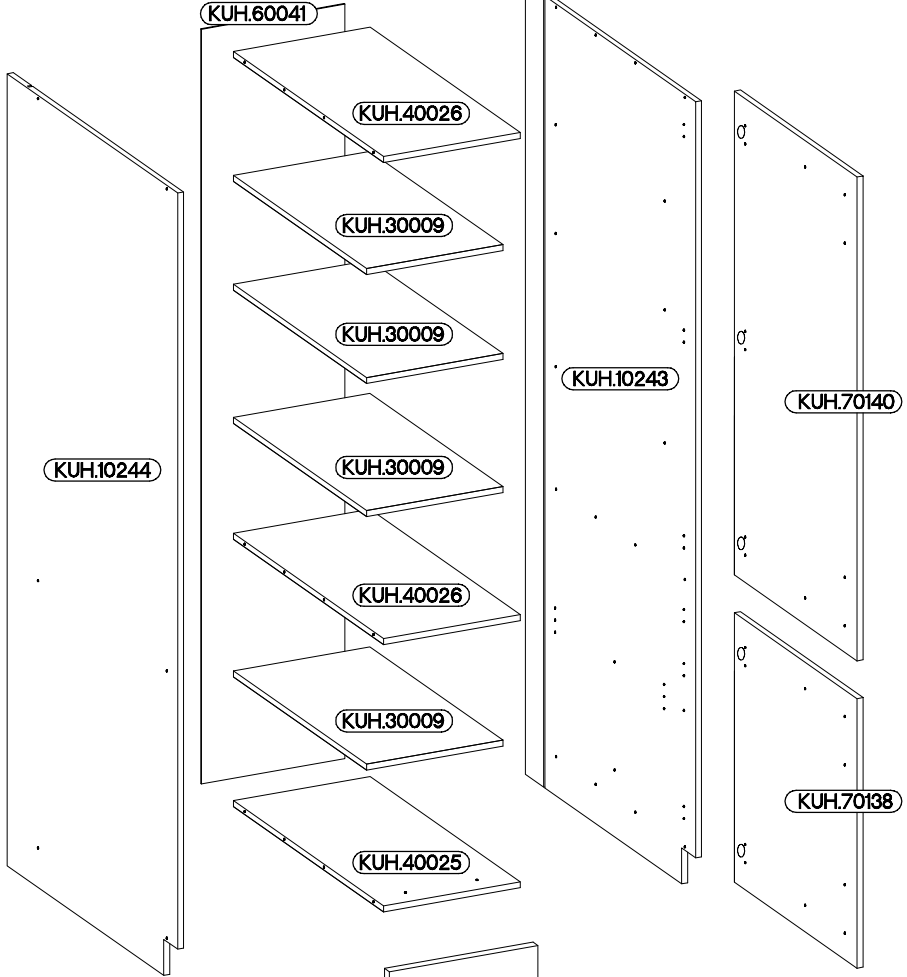
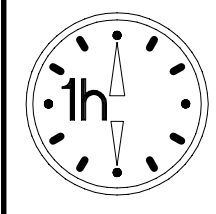


40 DK-2100 2F



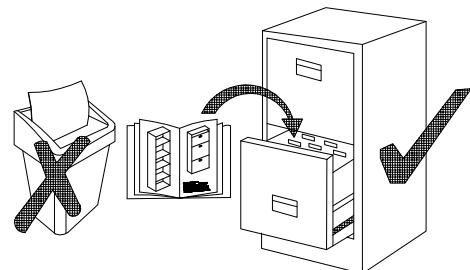
max.
5kg

KUH.30009
KUH.40025
KUH.40026




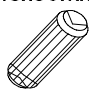
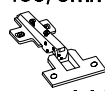

(KUH.90039)

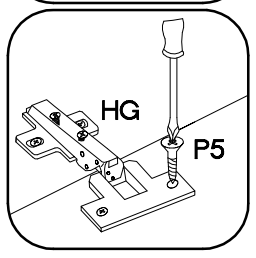
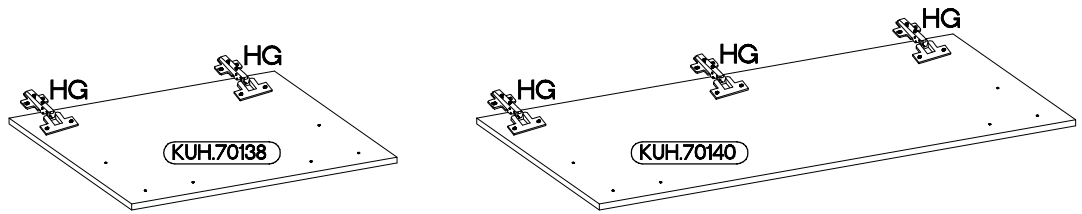
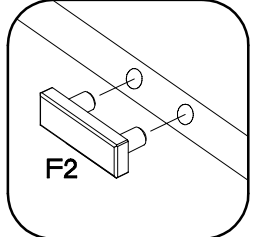
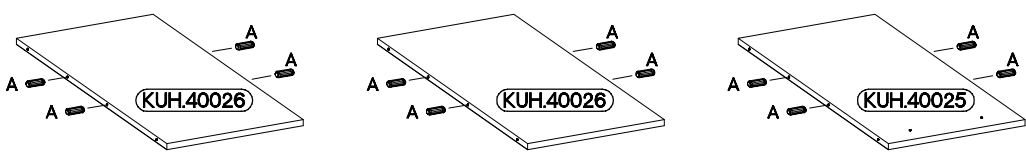
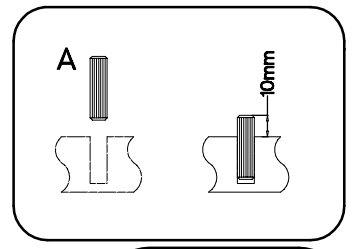
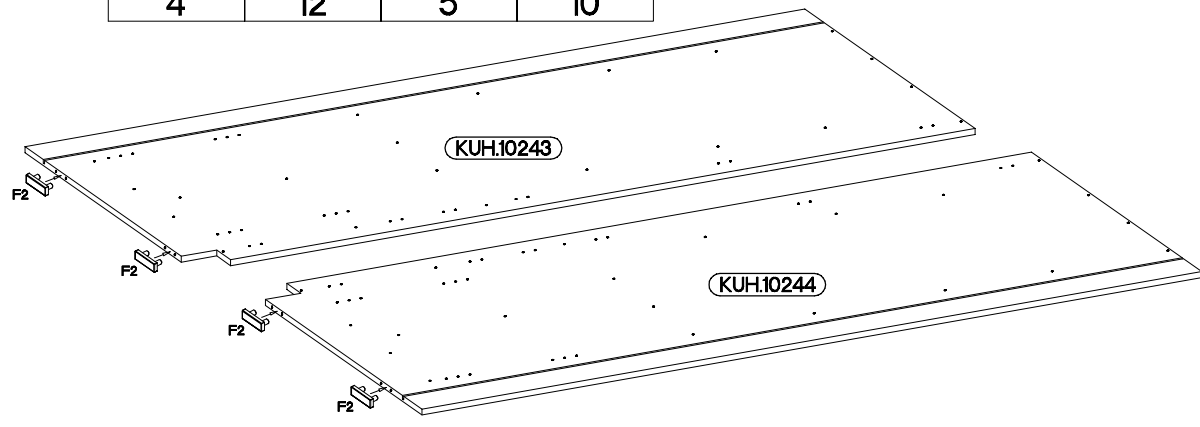
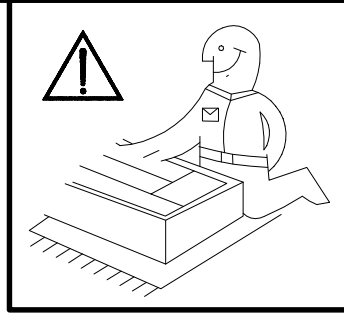
+8x30mm A 12	6,4 x 50mm B 12	 E1 12	 E9 2	6.5x48x16 F2 4	+35/0mm HG 5	+5/19mm J 16
 L25 1	 O 1	+4.0x45mm P4 2	+3.5x13mm P5 12	+3.0x20mm P7 10-15	 S23 2	M4x22mm U 4



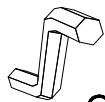


ISM-KUH-00945

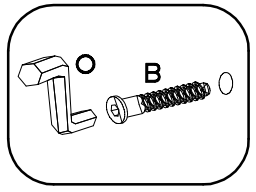
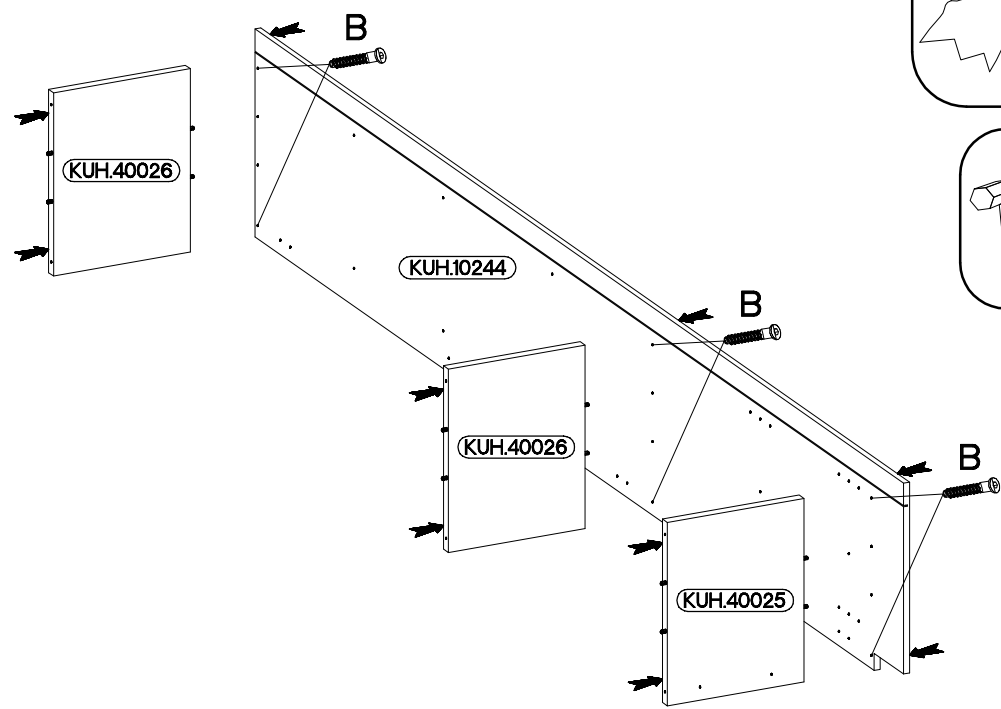
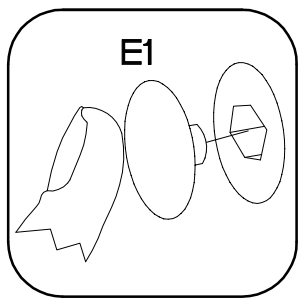
1

6.5x48x16	+8x30mm	+35/0mm	+3.5x13mm
 F2	 A	 HG	 P5
4	12	5	10



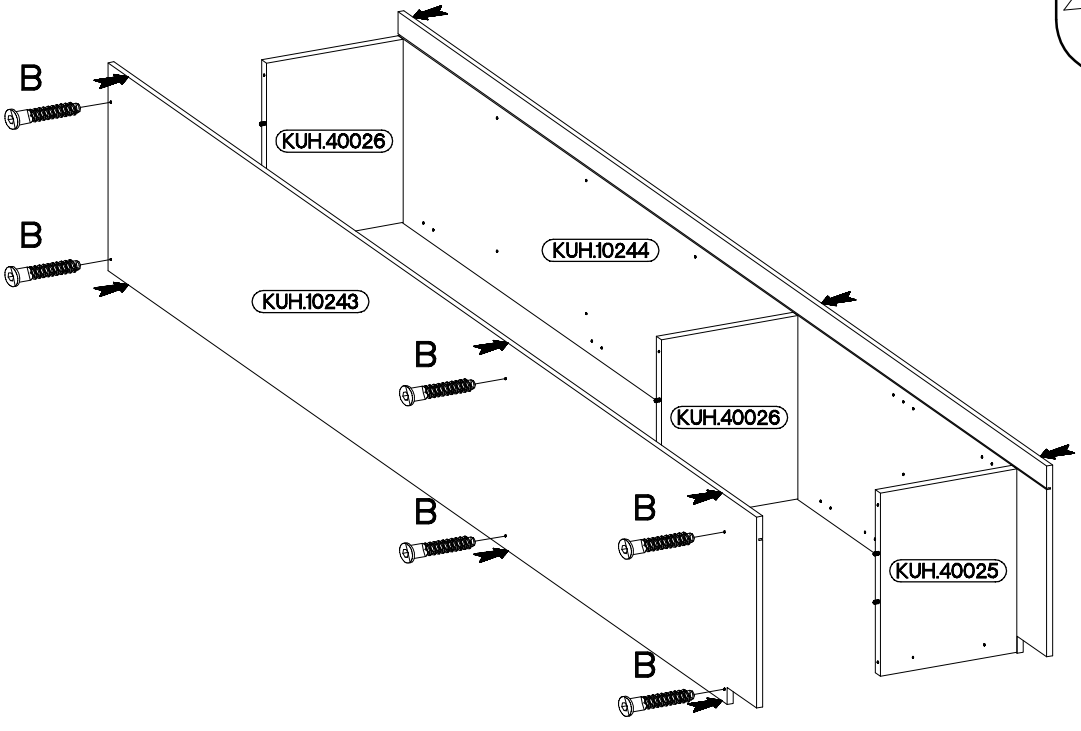
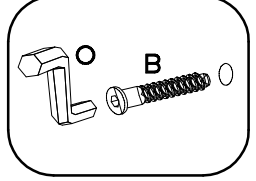
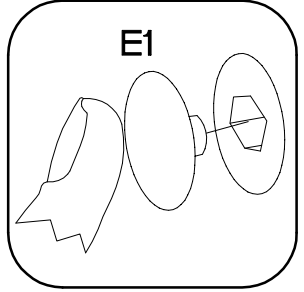
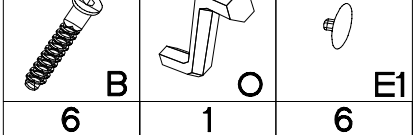
2

6,4 x 50mm		
 B	O	E1
6	1	6

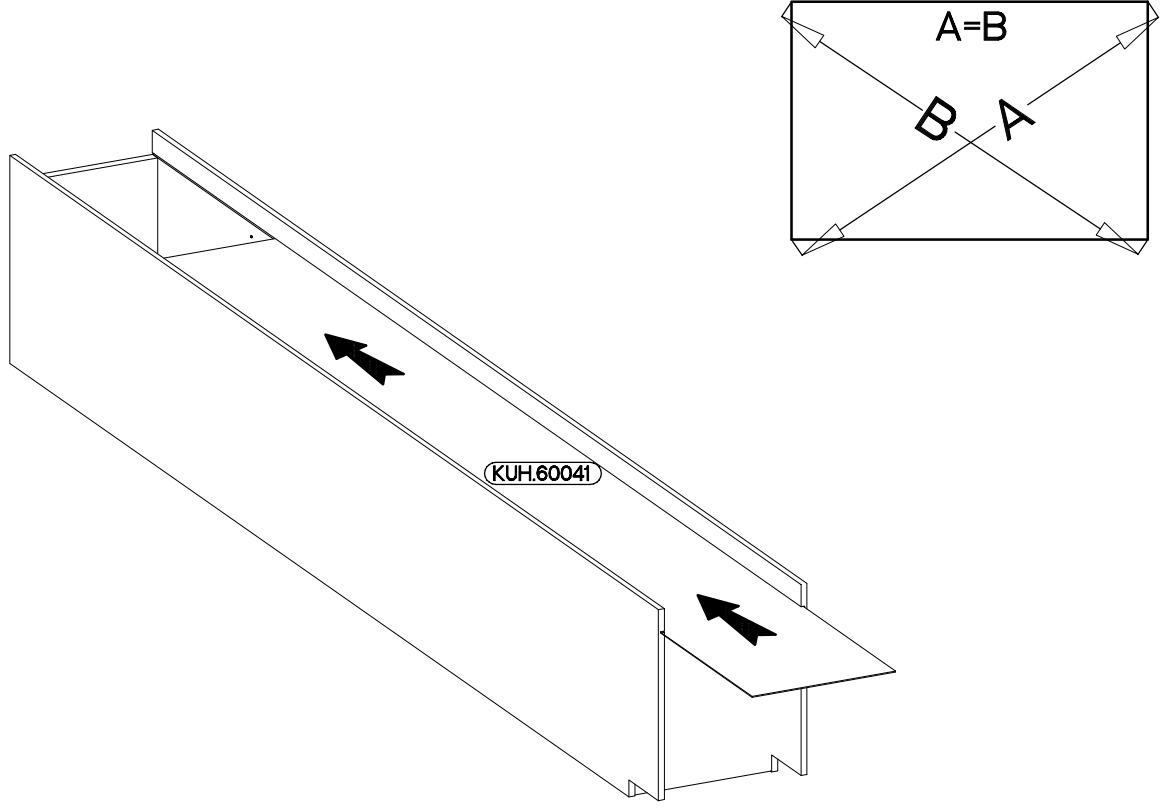


3


6,4 x 50mm

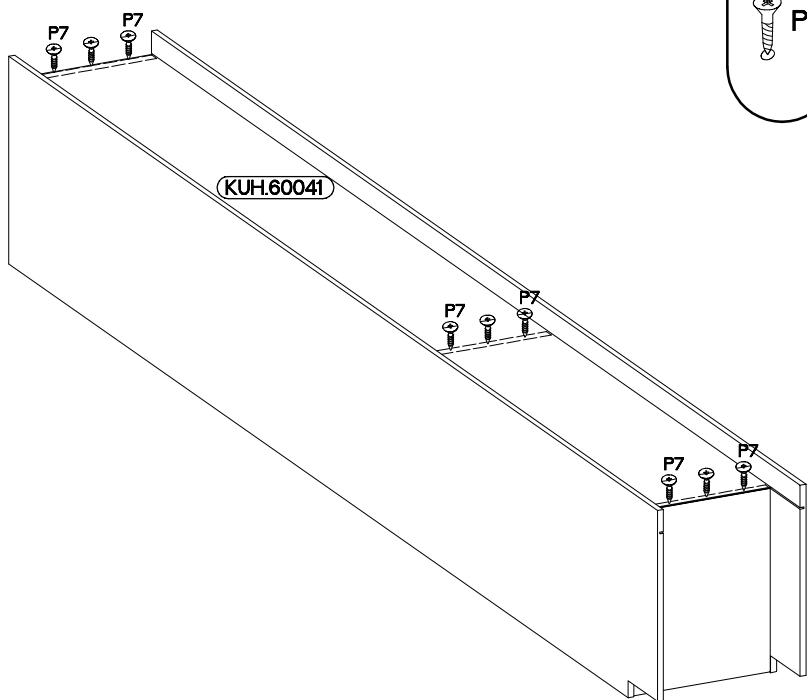
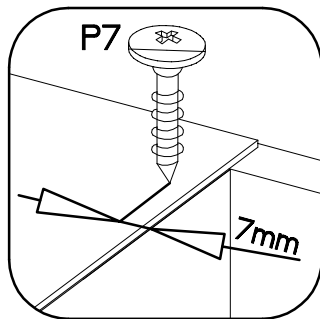
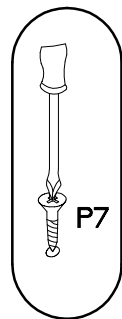


4





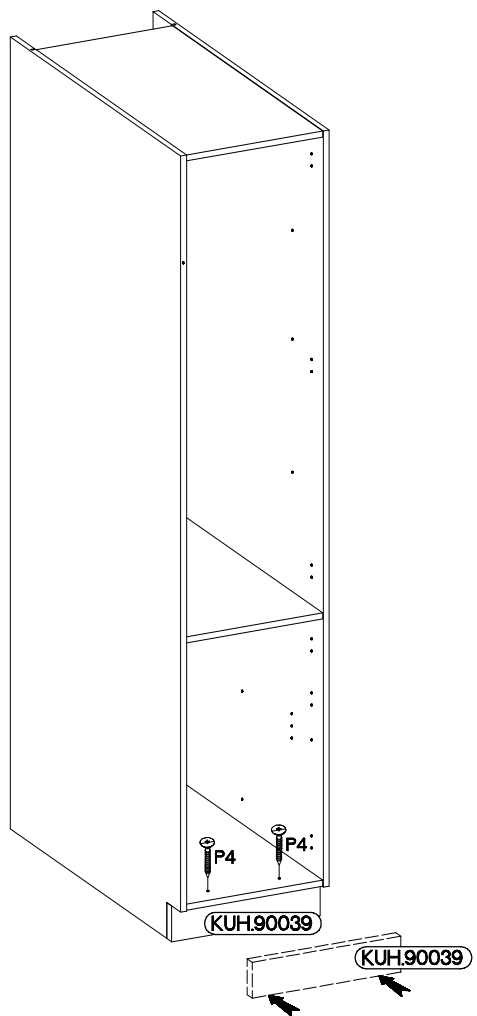
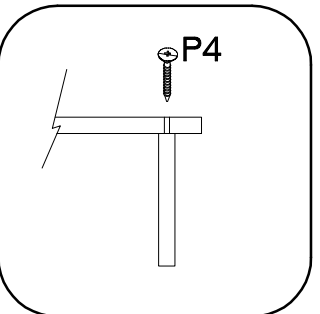
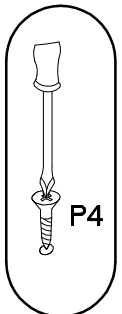
5

±3.0x20mm

P7
10-15



6

±4.0x45mm	
	E9
2	2

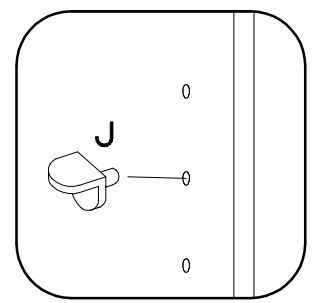
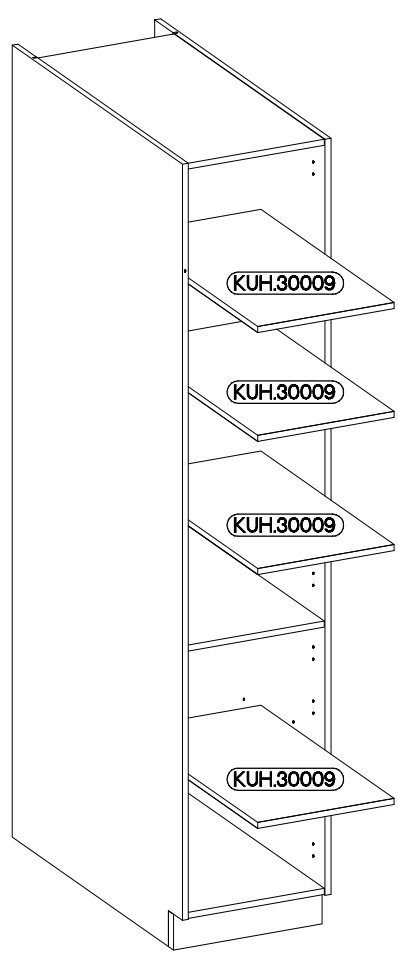


7

±5/19mm

J

16



8

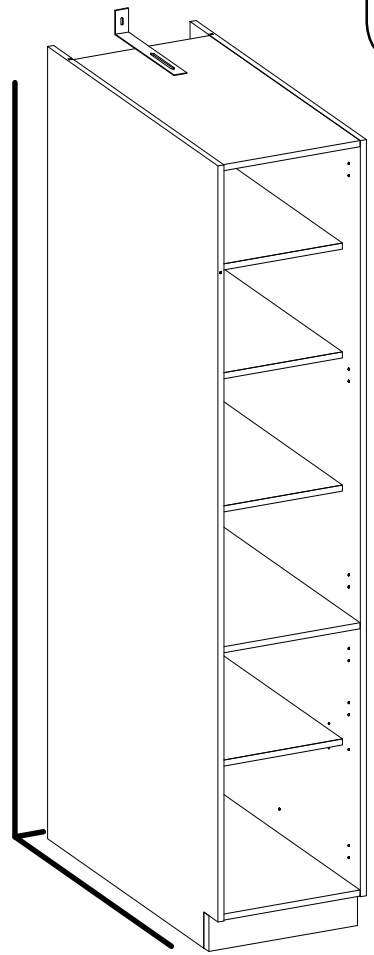
±3.5x13mm

L25

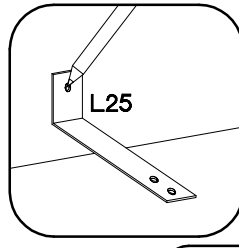
1

P5

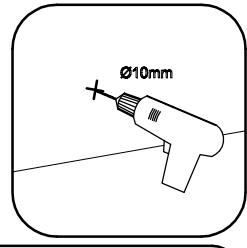
2



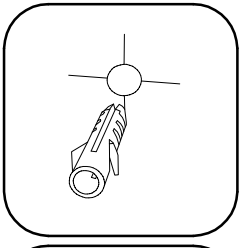
1.



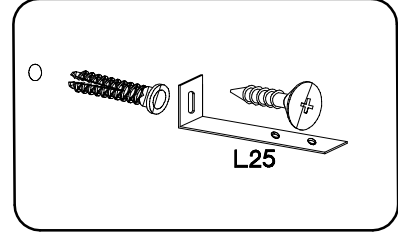
2.



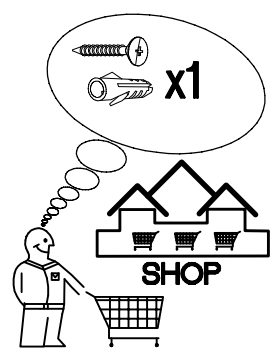
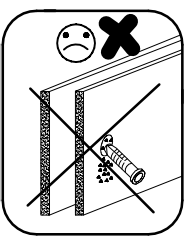
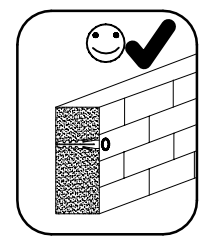
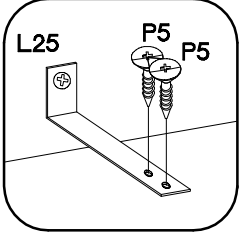
3.

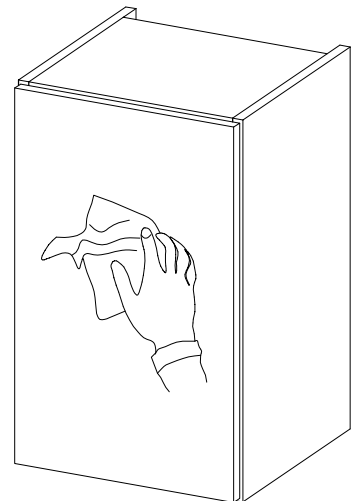
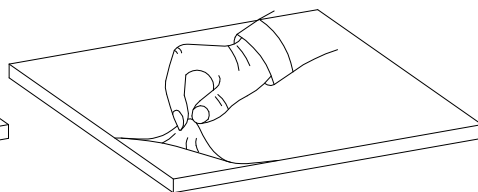
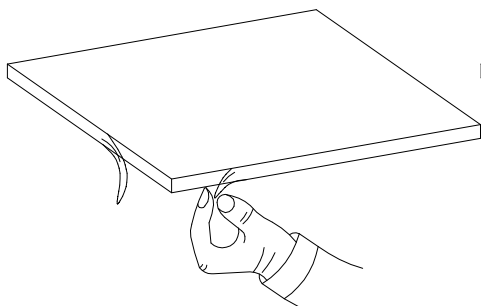
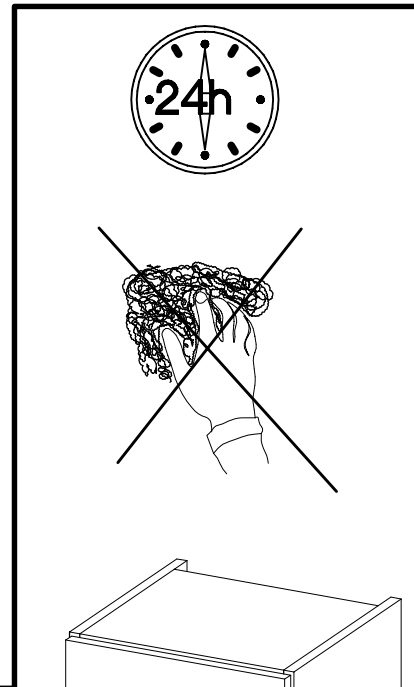
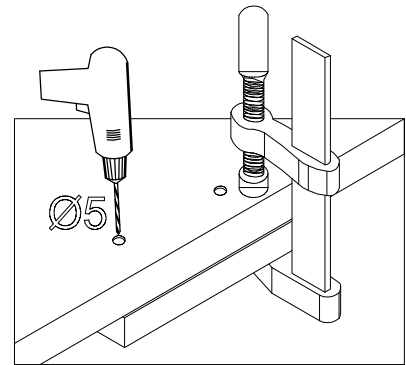
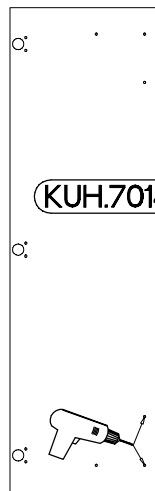
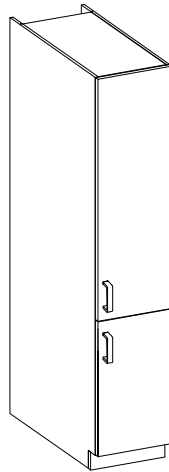
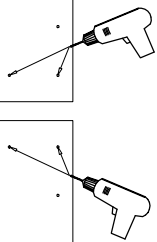
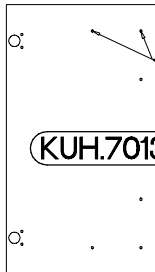
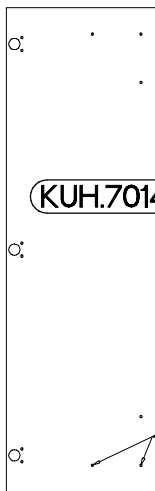
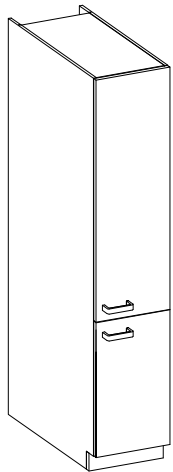
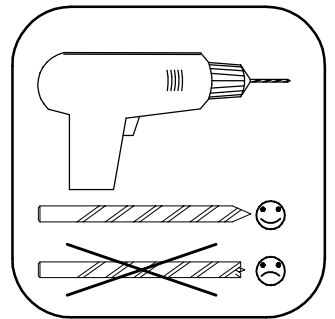
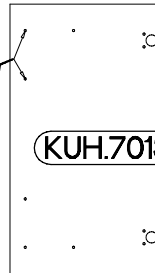
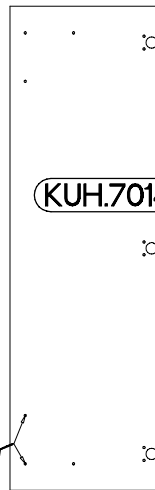
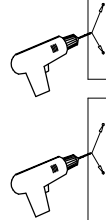
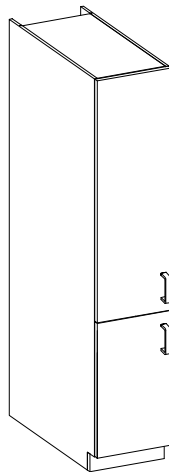
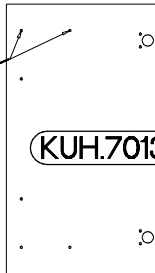
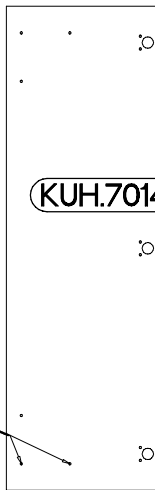
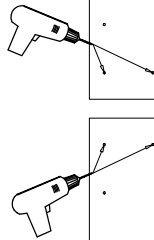
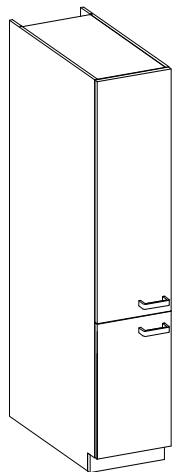




4.



5.





M4x22mm		
4	U	S23
		2

