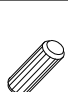



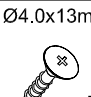

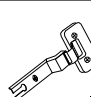
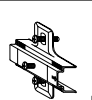

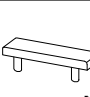
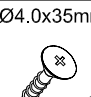


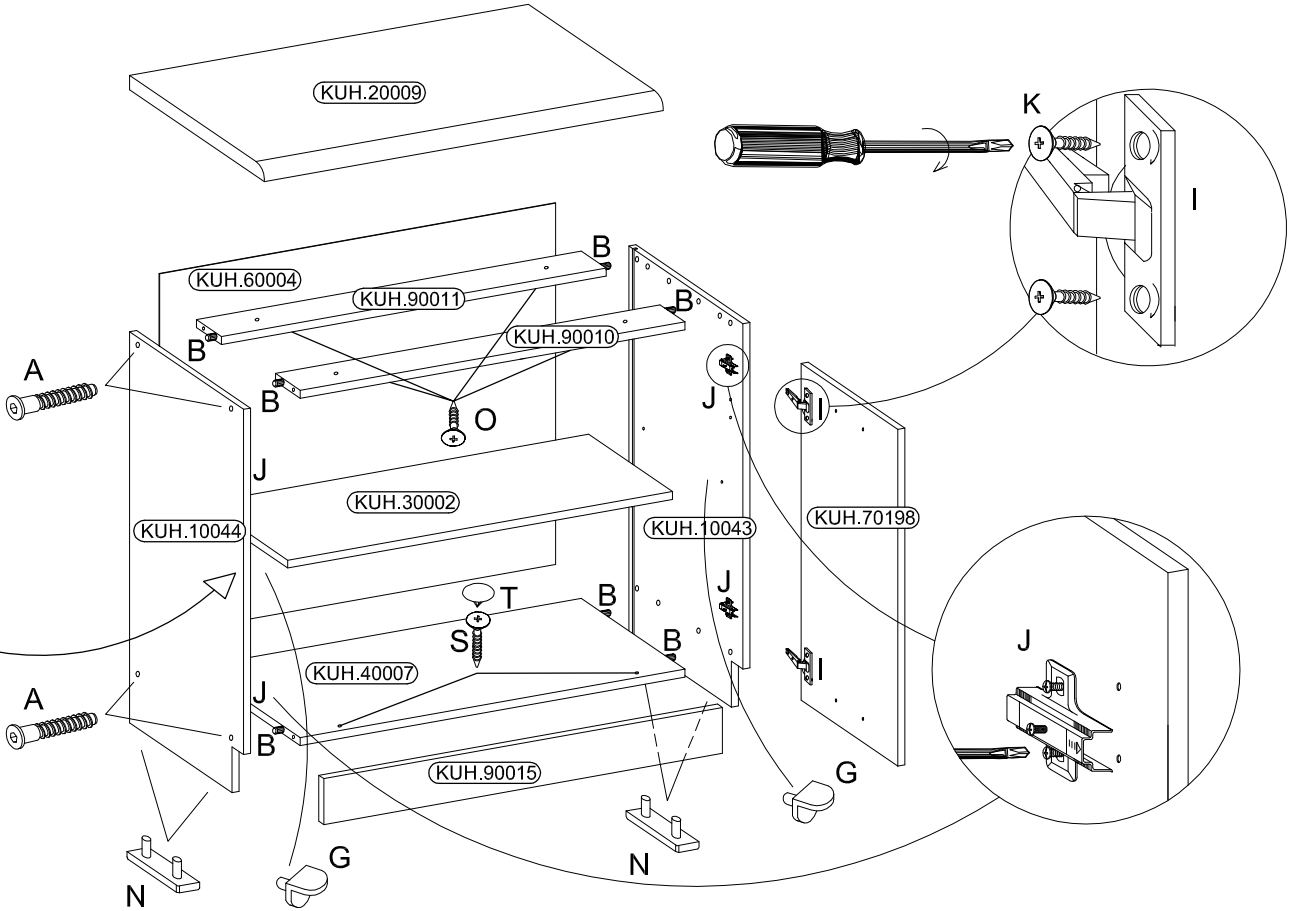
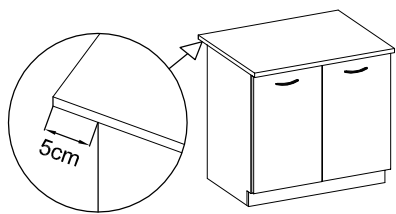
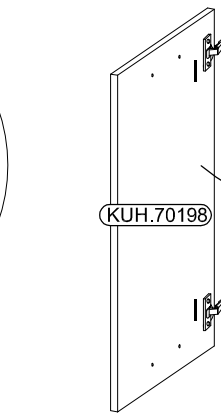
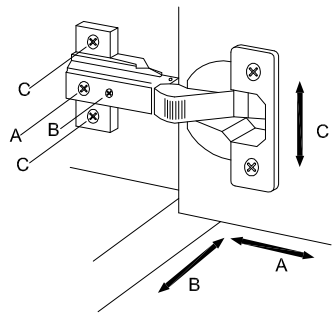
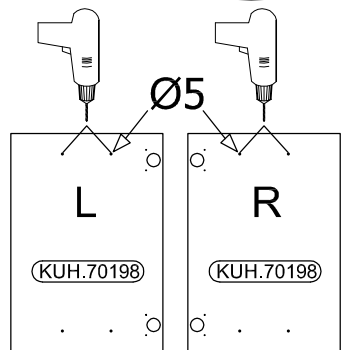
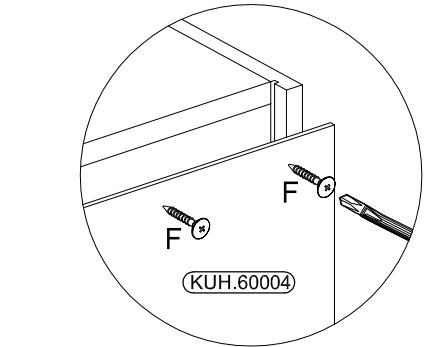
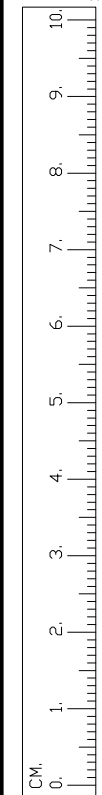
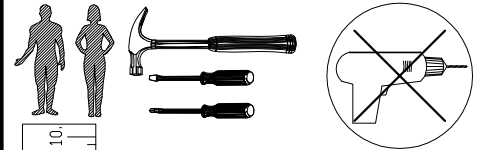
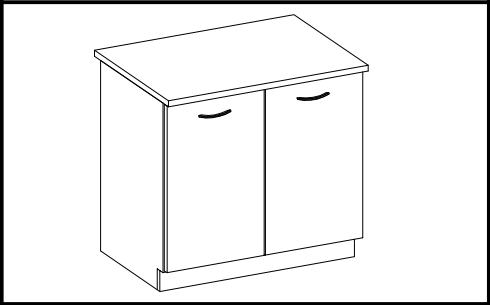
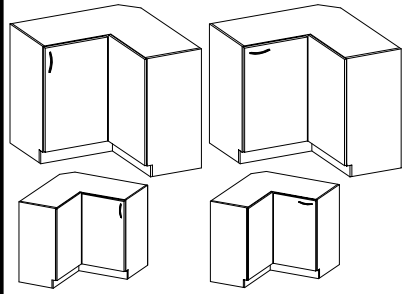
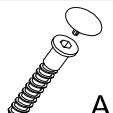
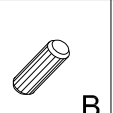
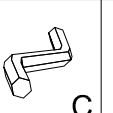
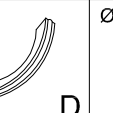
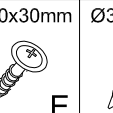
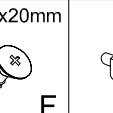
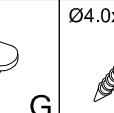
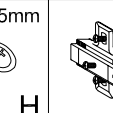
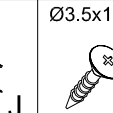
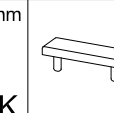
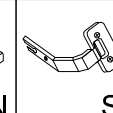
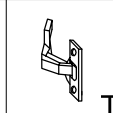

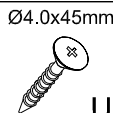
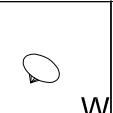
 A	 B	 C	 D	 E	 F	 G	 I	 J	 K	 N	 O
8	8	1	2	4	10	4	4	4	8	4	4
 S		 T									
2		2									

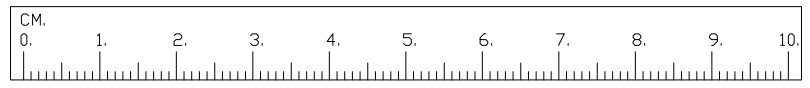
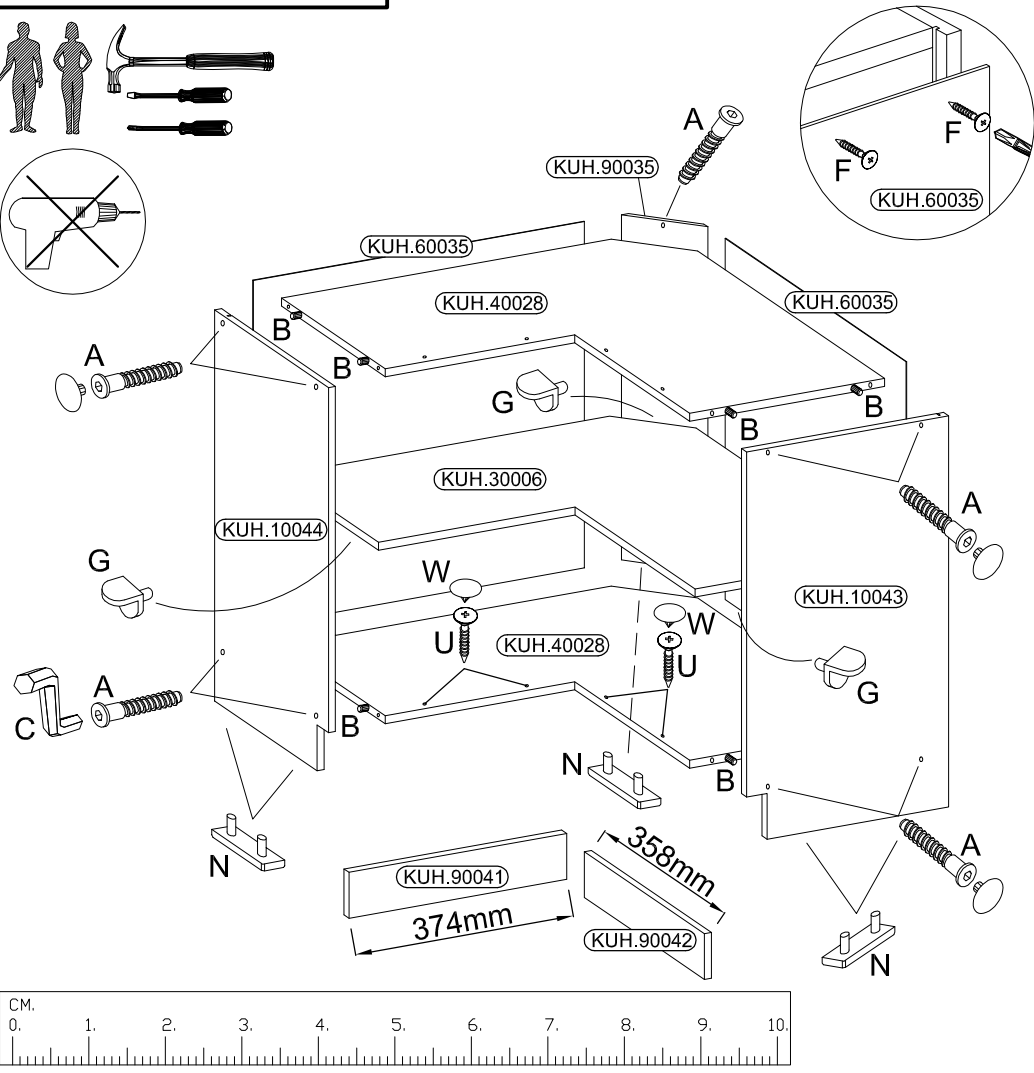
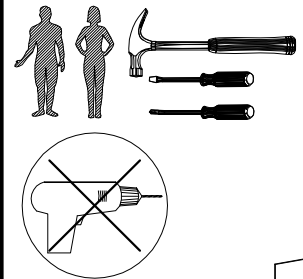
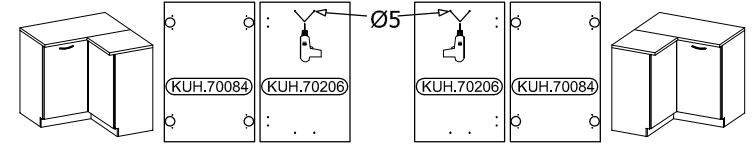


ISM-KUH-00399

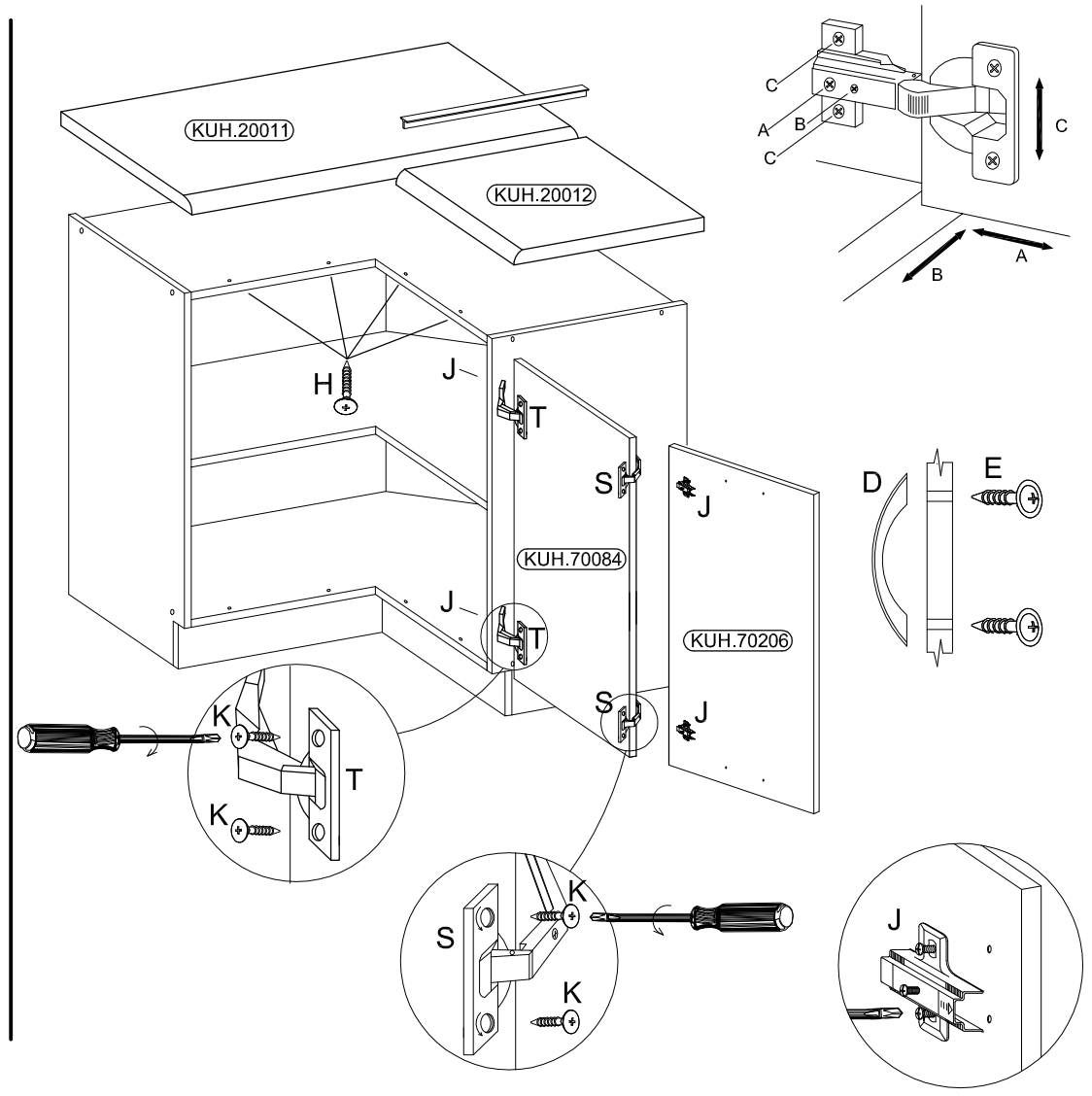
# 89x89 ND 2F BB

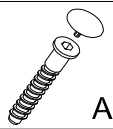
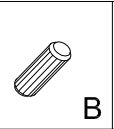
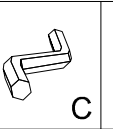
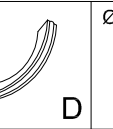
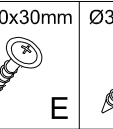
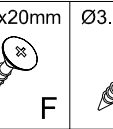
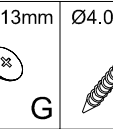
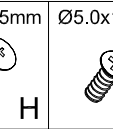
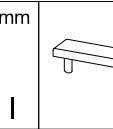
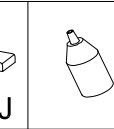
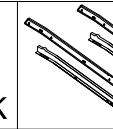
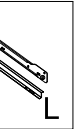
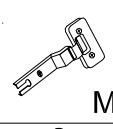
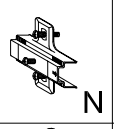
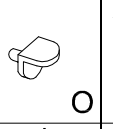
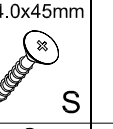
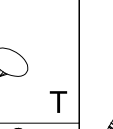


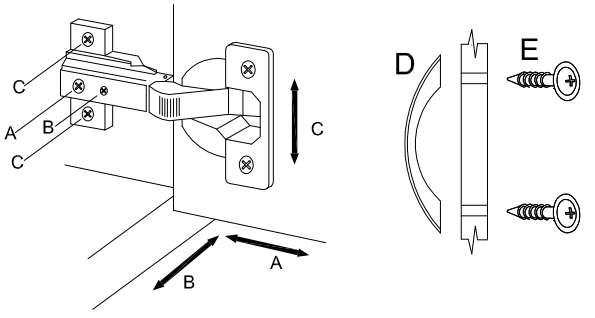
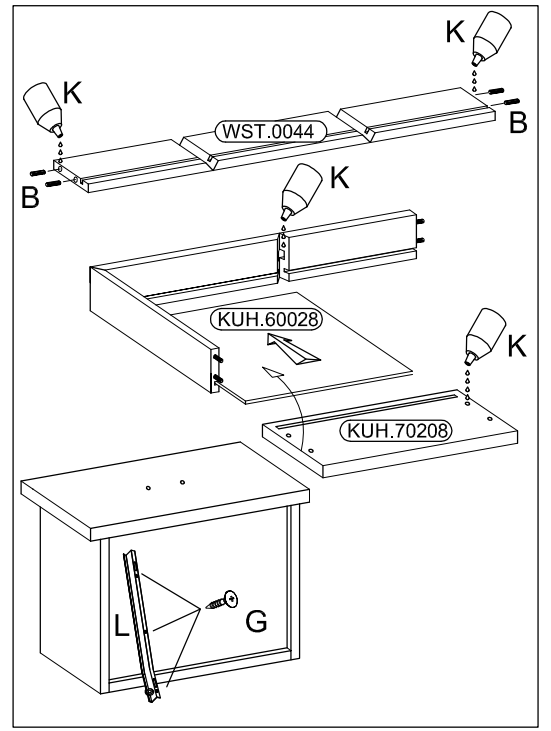
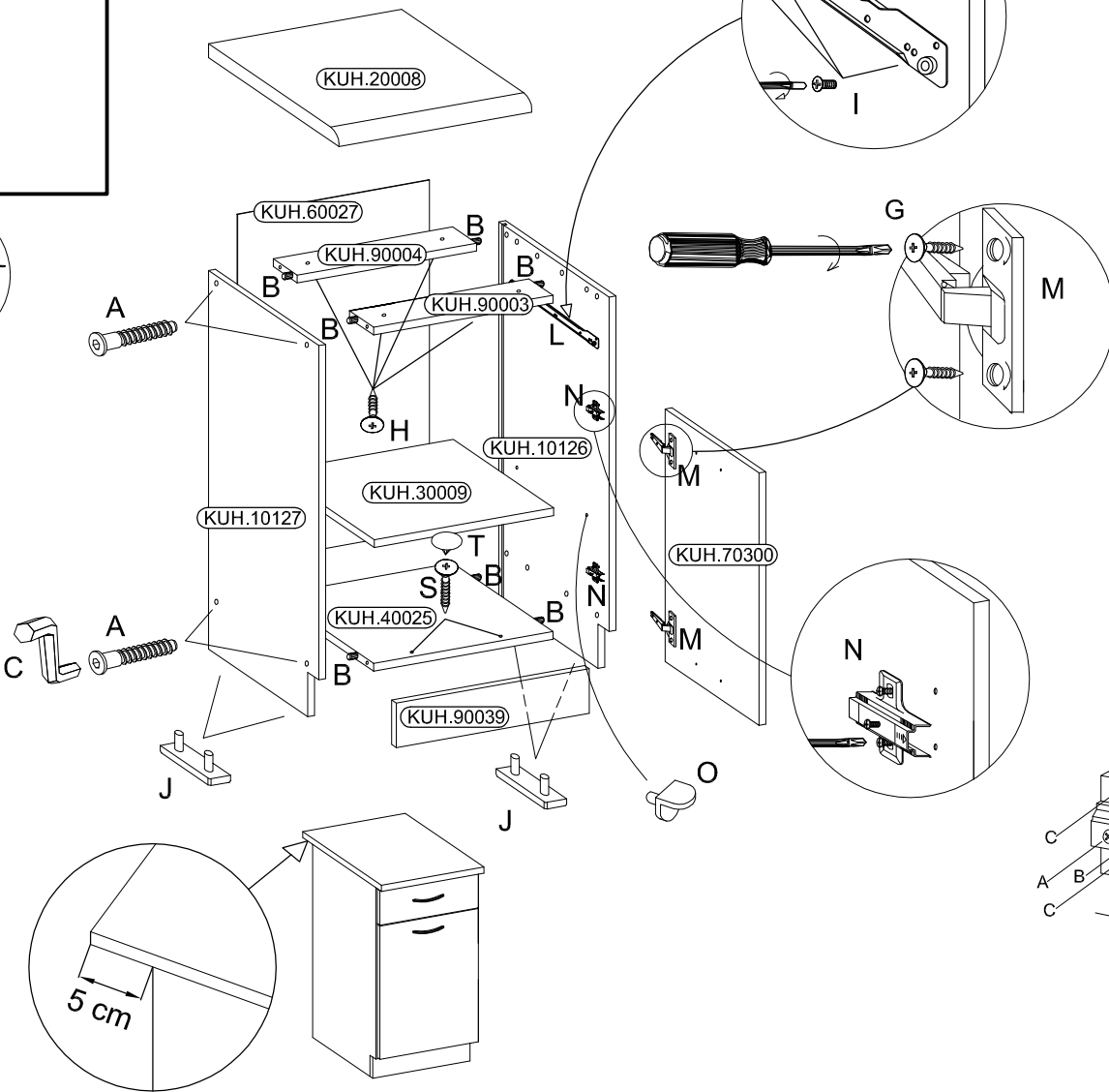
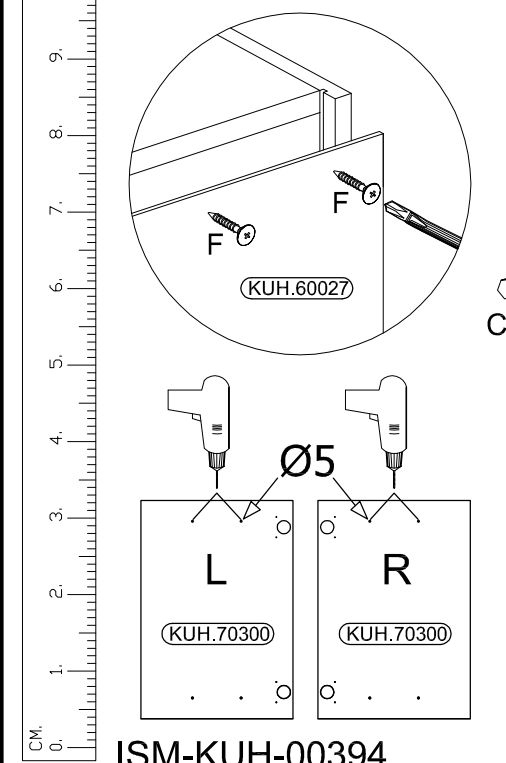
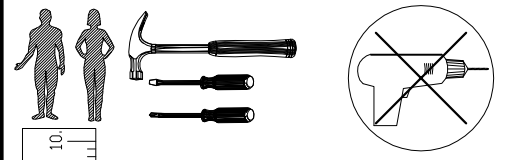
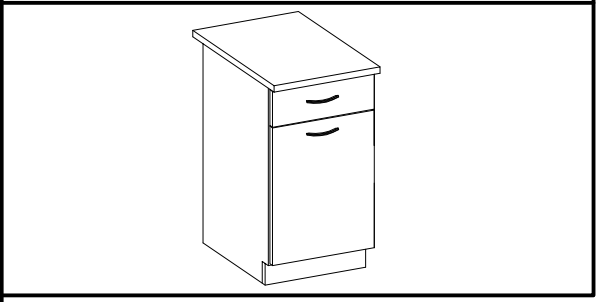
 A 10	 B 8	 C 1	 D 1	 E 2	 F 15	 G 6	 H 4	 J 4	 K 8	 N 5	 S 2	 T 2
 U 4		 W 4										



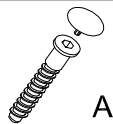
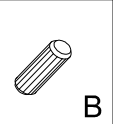
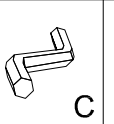
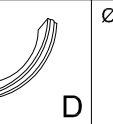
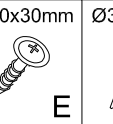
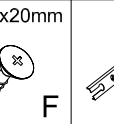
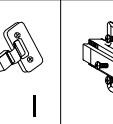
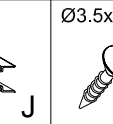
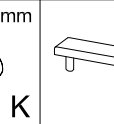
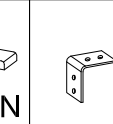
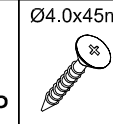
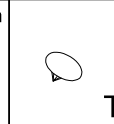

ISM-KUH-00407

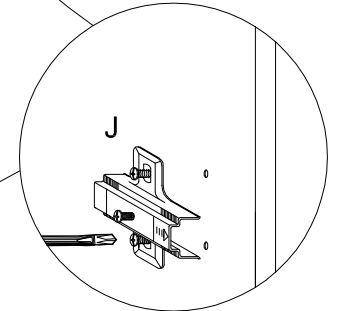
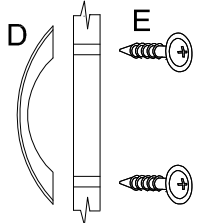
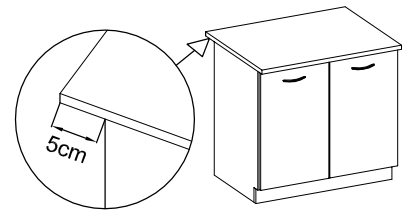
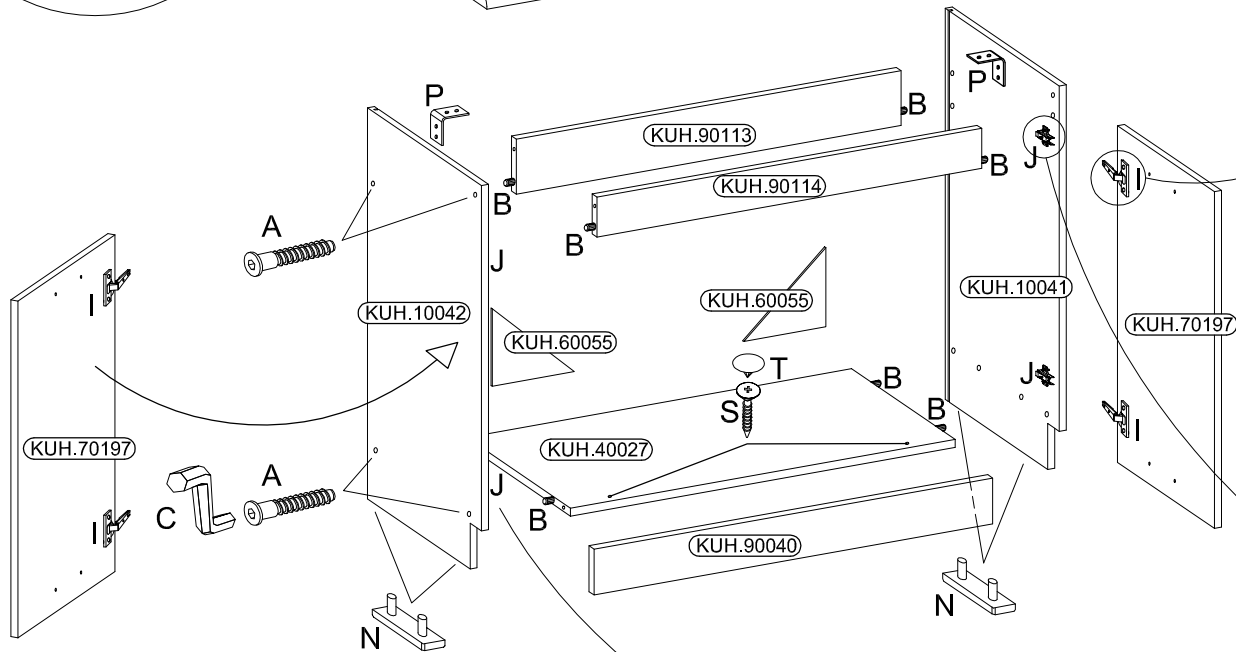
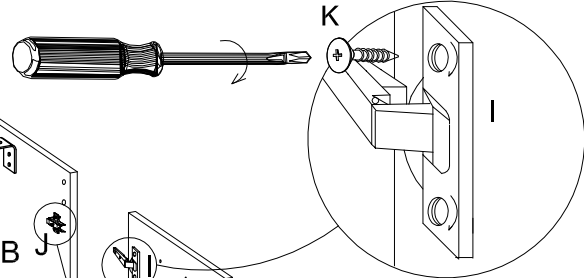
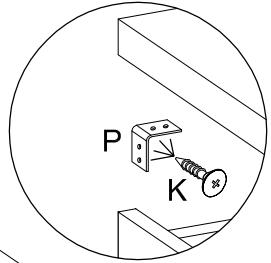
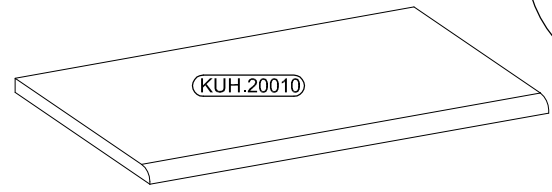
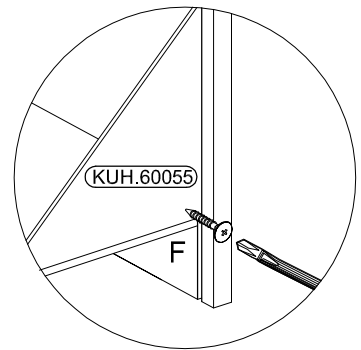
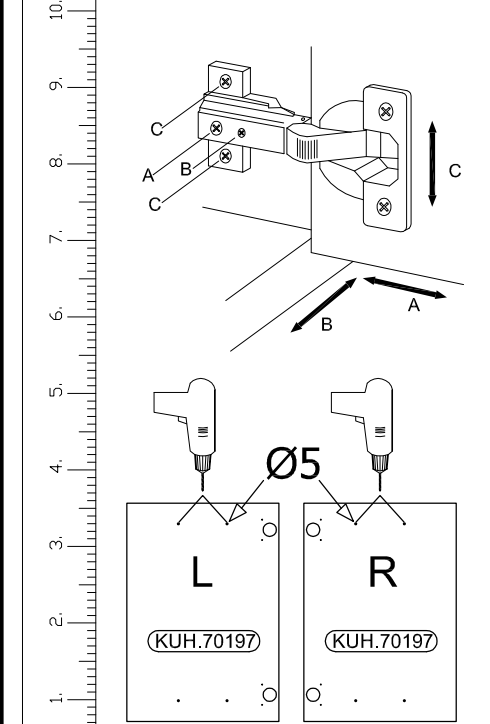
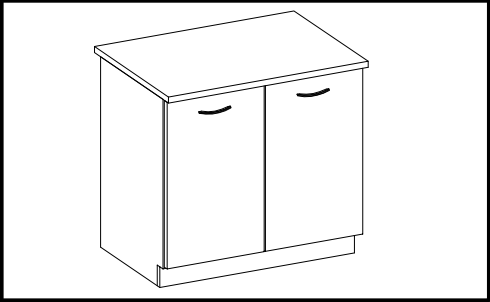


 A 8	 B 12	 C 1	 D 2	 E 4	 F 10	 G 10	 H 4	 I 6	 J 4	 K 1	 L 1
 M 2	 N 2	 O 4	 S 2	 T 2							

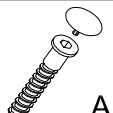
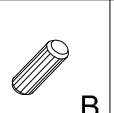
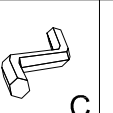
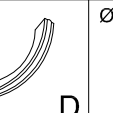
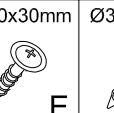
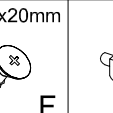
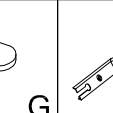
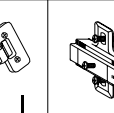
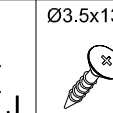
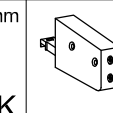
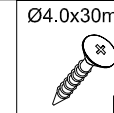
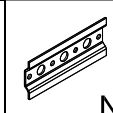



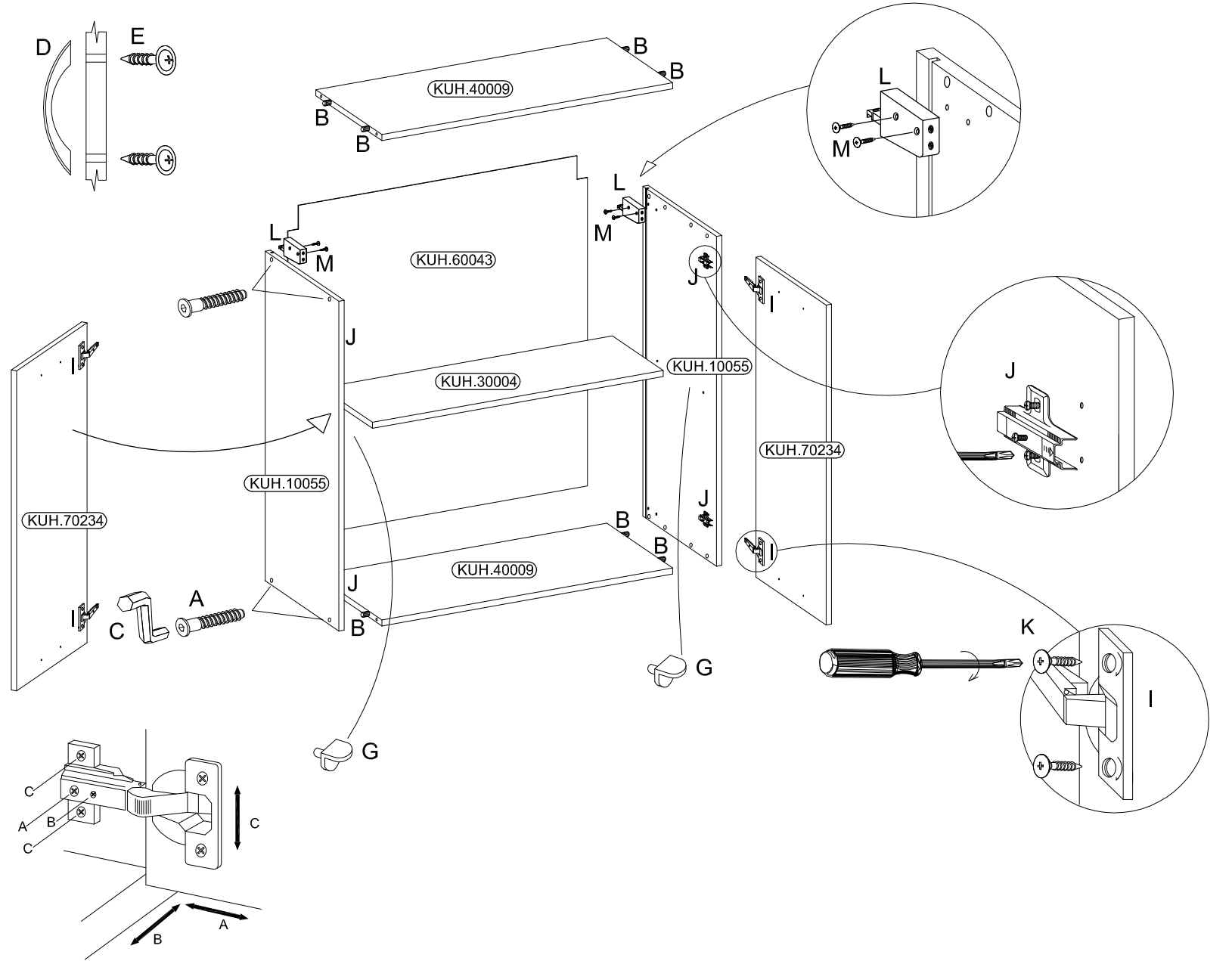
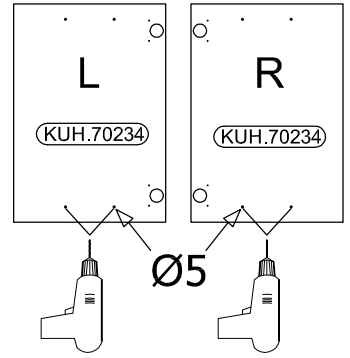
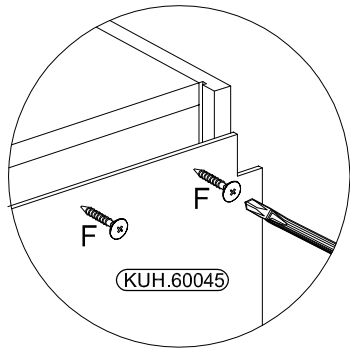
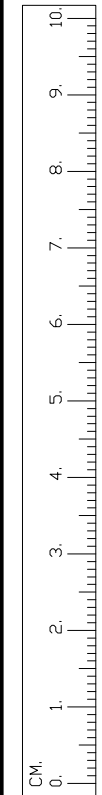
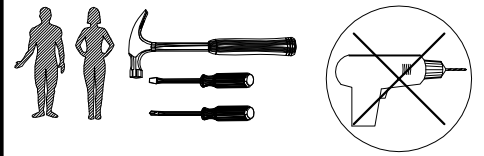
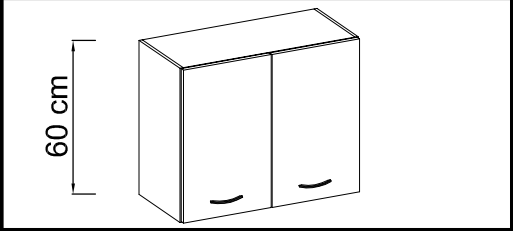
ISM-KUH-00394

												
8	8	1	2	4	10-15	4	4	16	4	2	2	2

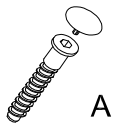
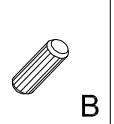
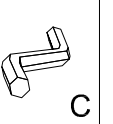
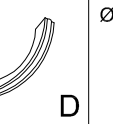
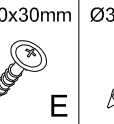
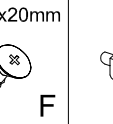
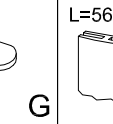
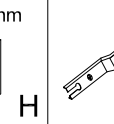
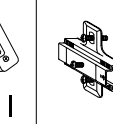
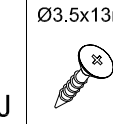
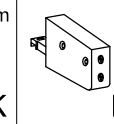
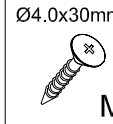

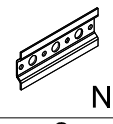
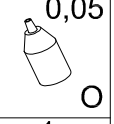


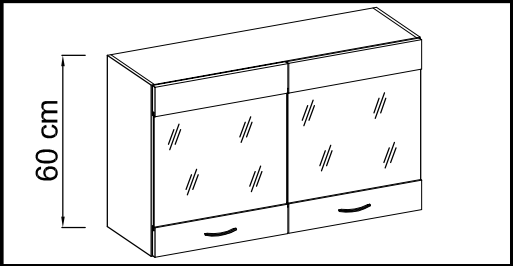
ISM-KUH-00405

												
A	B	C	D	E	F	G	I	J	K	L	M	N
8	8	1	2	4	10	4	4	4	8	2	4	2

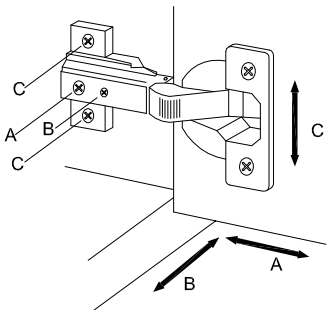
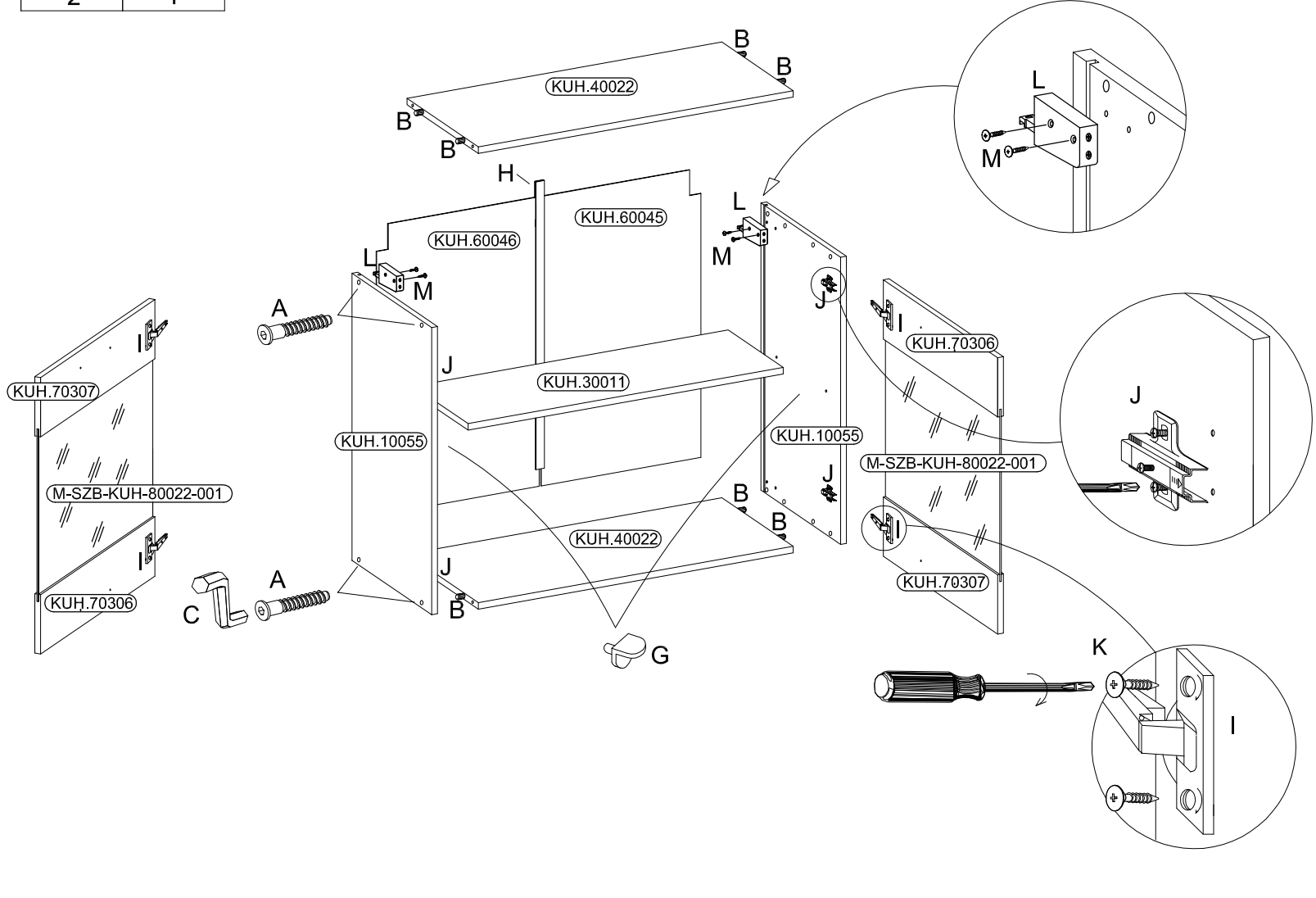
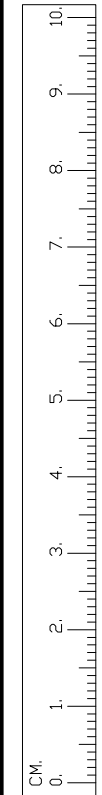
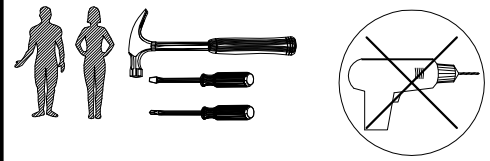


ISM-KUH-00400

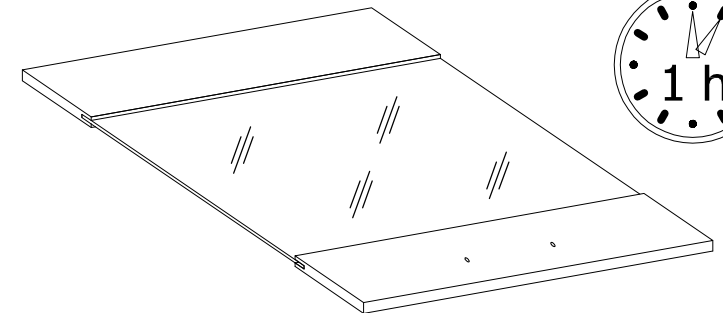
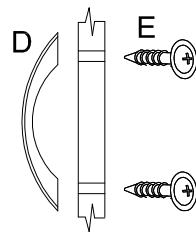
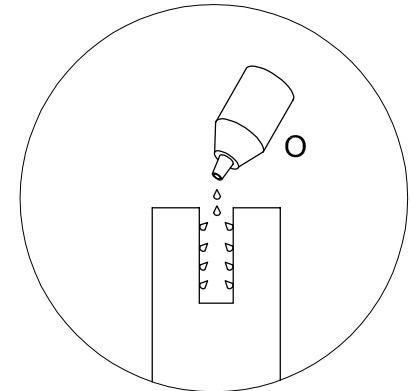
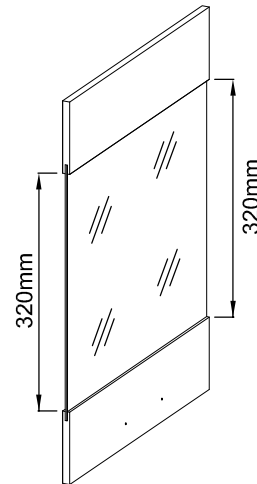
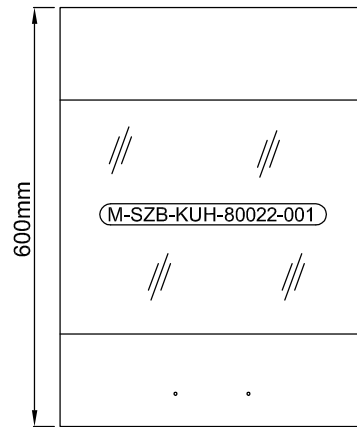
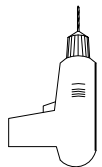
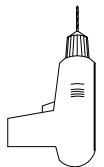
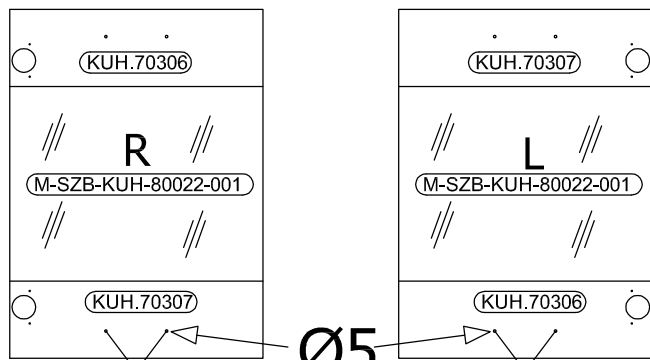
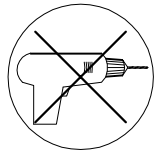
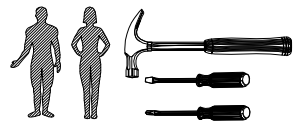
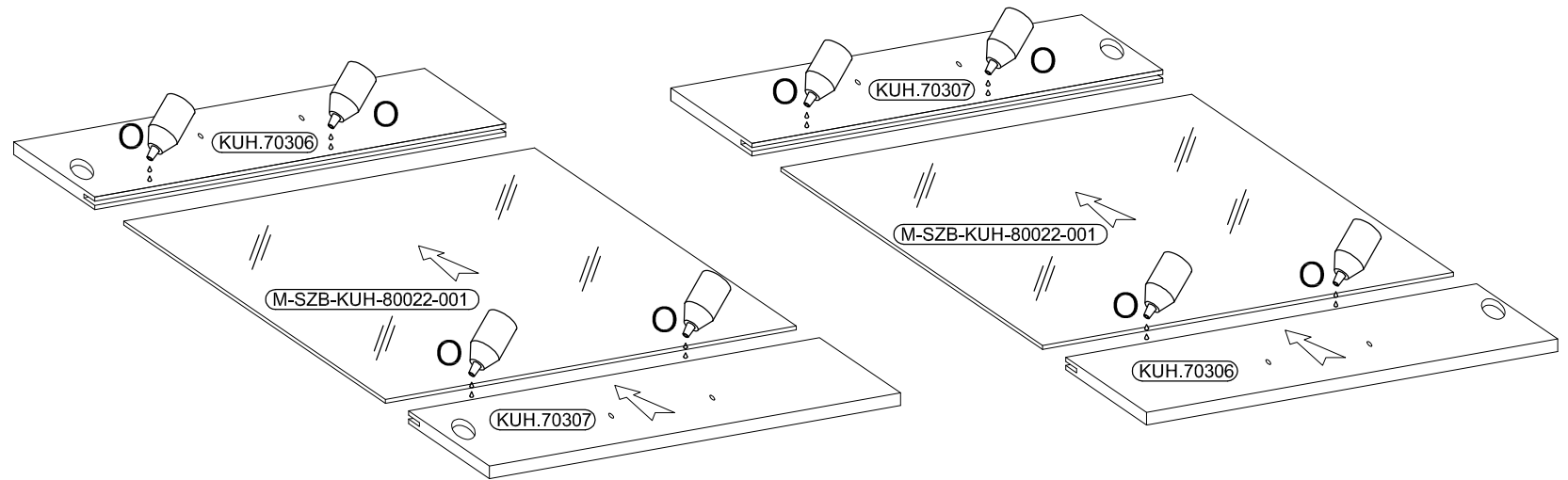
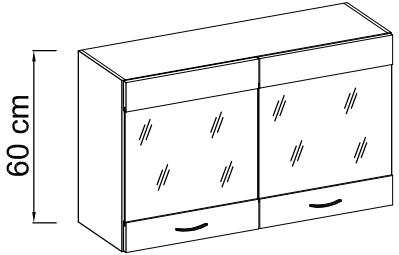
 A	 B	 C	 D	 Ø4.0x30mm	 Ø3.0x20mm	 G	 L=564mm	 I	 J	 Ø3.5x13mm	 L	 Ø4.0x30mm
8	8	1	2	4	10	4	1	4	4	8	2	4
 N	 O											
2	1											



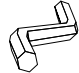




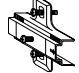

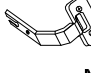
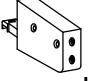

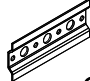


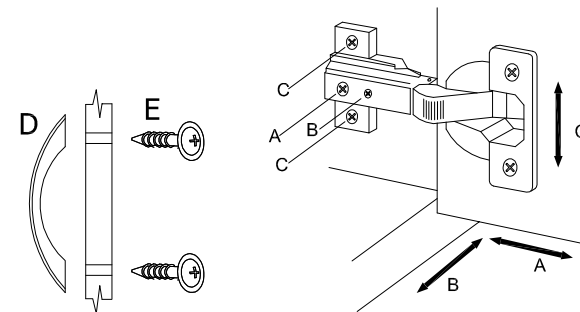
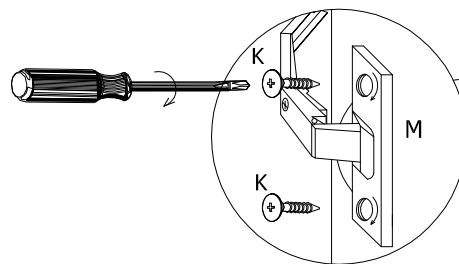
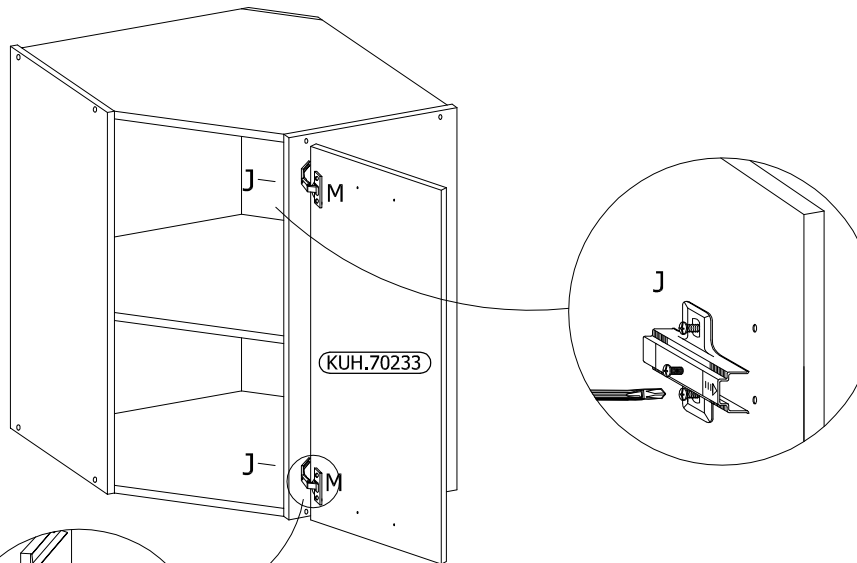
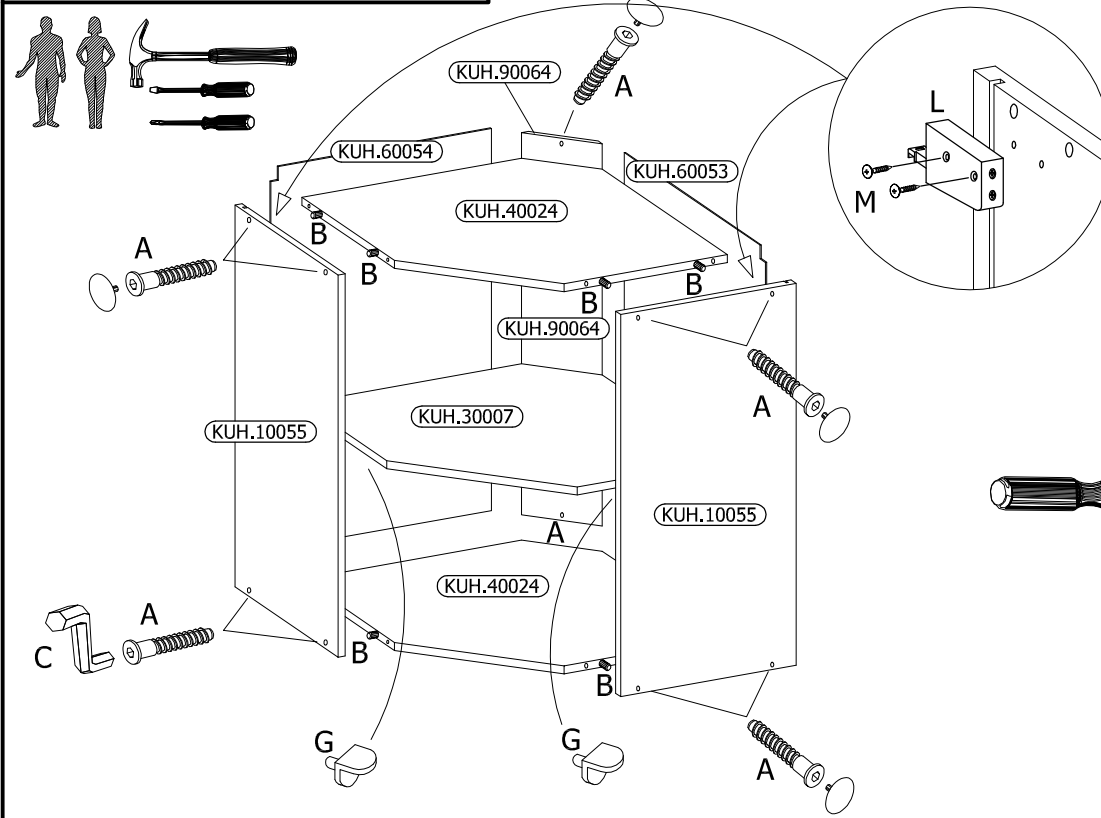
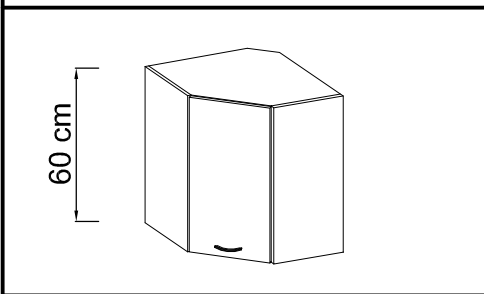
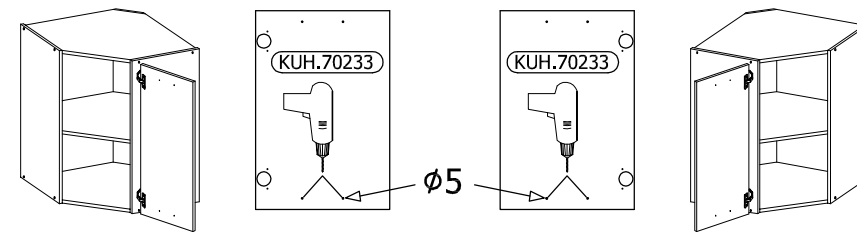
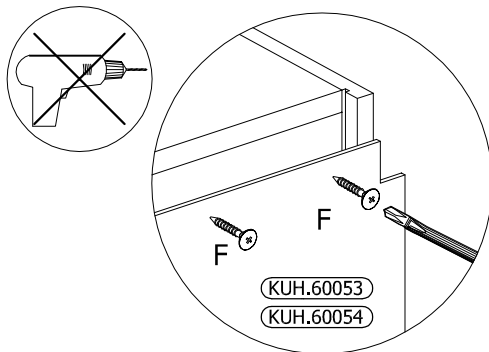
60 cm



ISM-KUH-00403

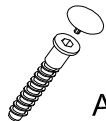
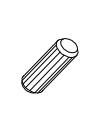
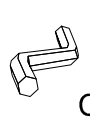

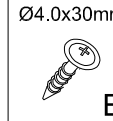
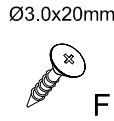

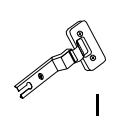
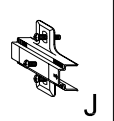
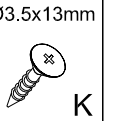
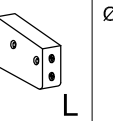
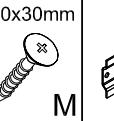



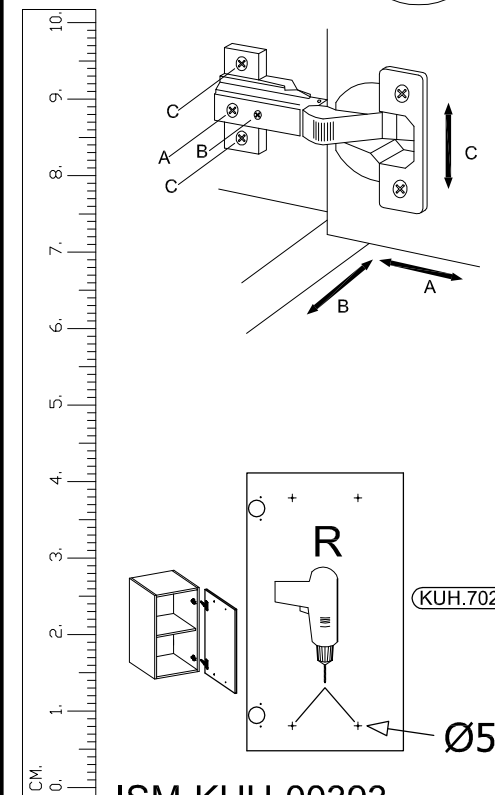
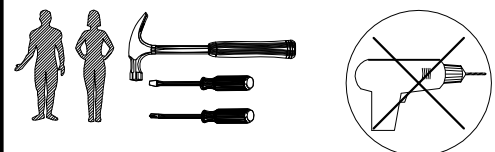
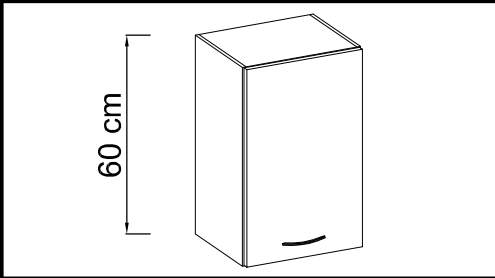
												
10	8	1	1	2	20	5	2	4	2	2	4	2



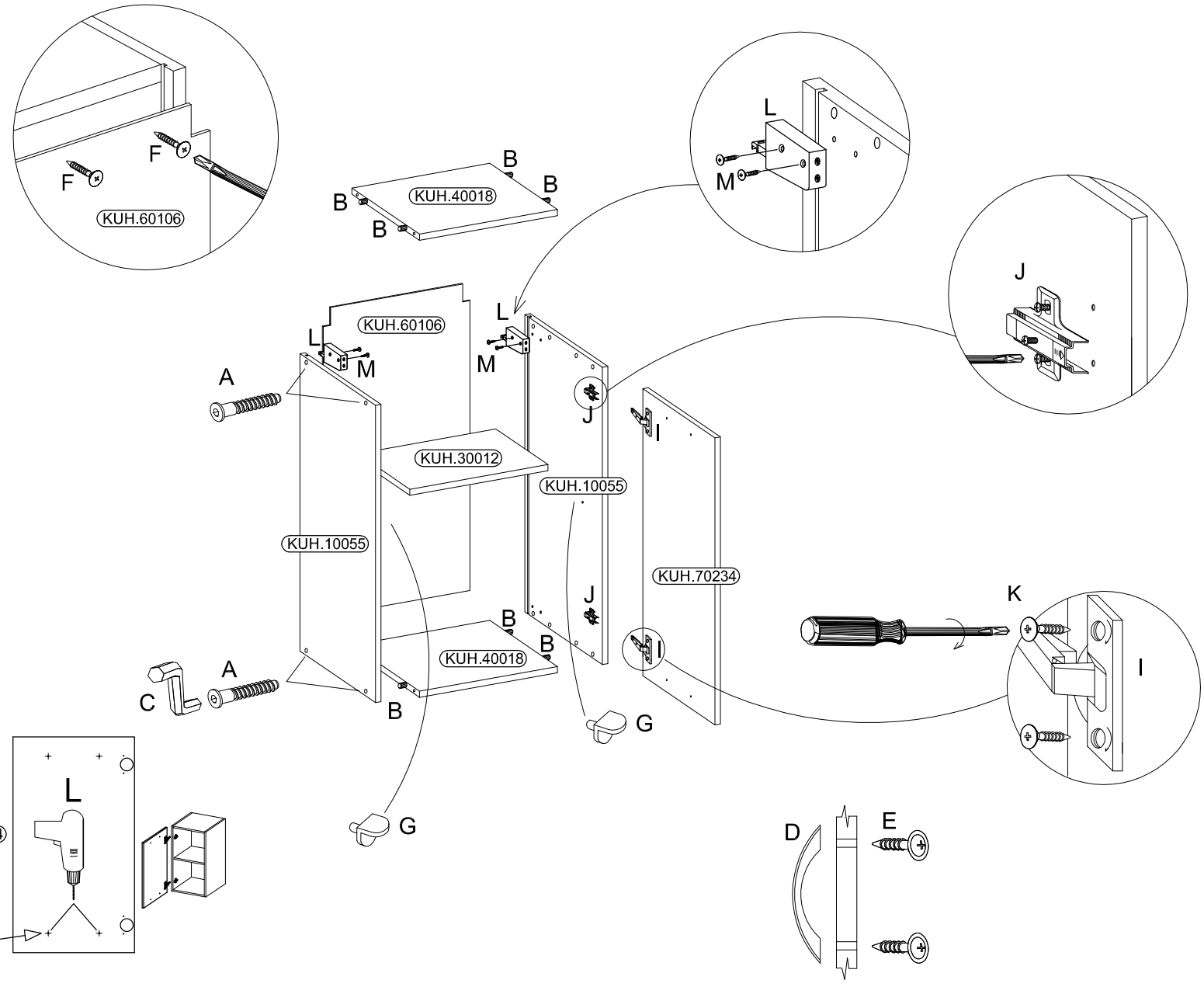
ISM-KUH-00397

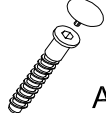

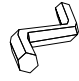




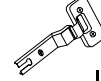
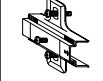

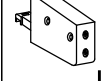

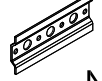


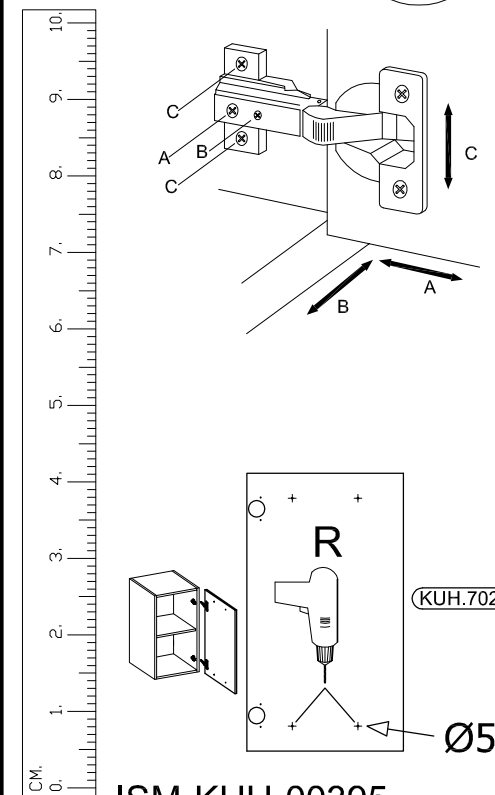
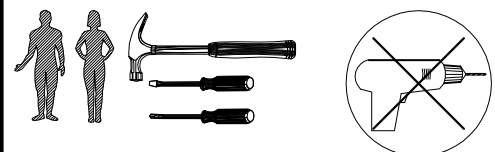
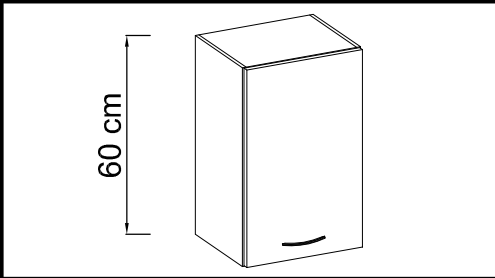
												
8	8	1	1	2	10	4	2	2	4	2	4	2



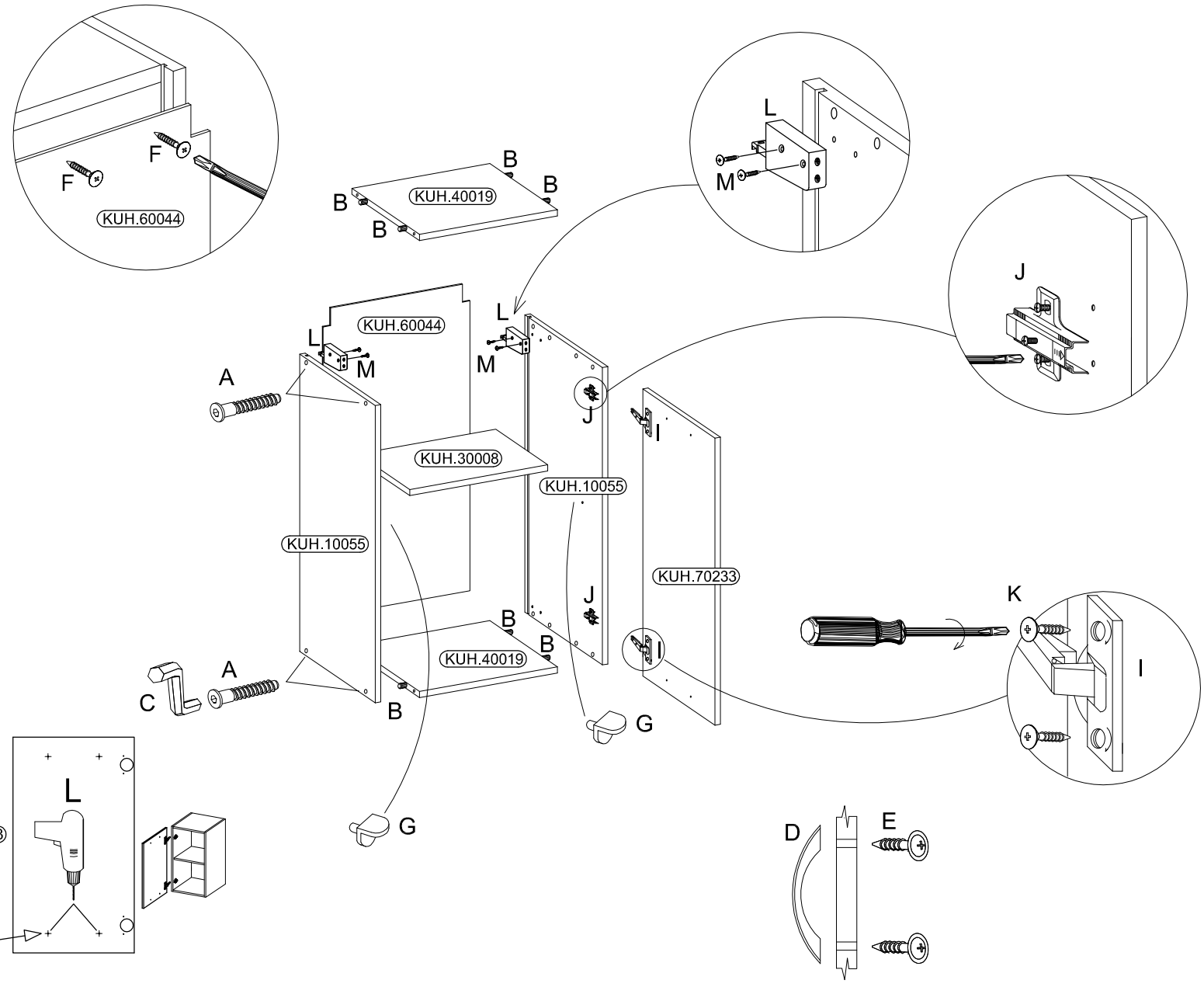
ISM-KUH-00393

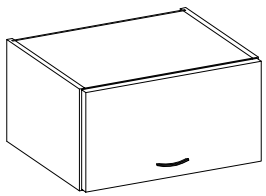


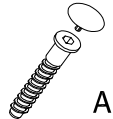
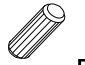




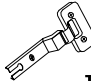
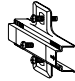

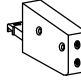

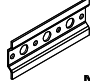


												
8	8	1	1	2	10	4	2	2	4	2	4	2

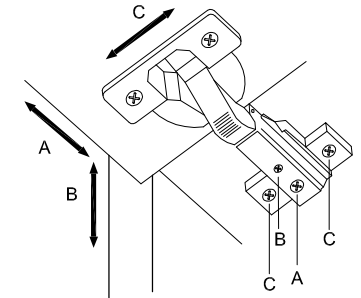
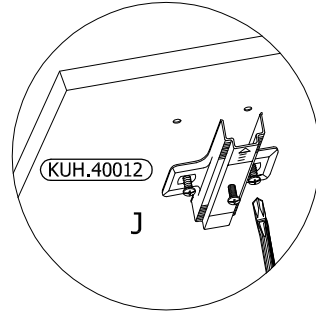
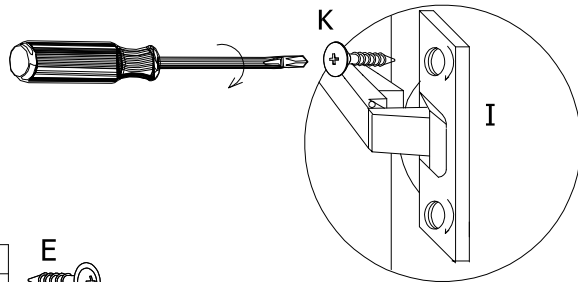
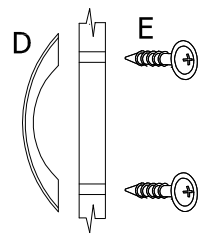
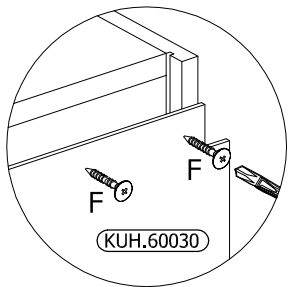
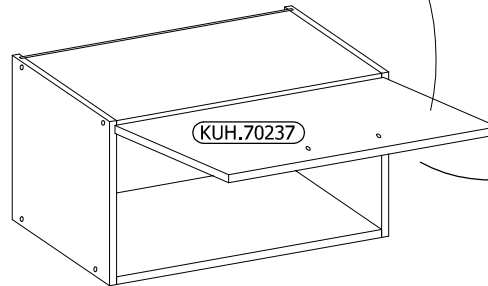
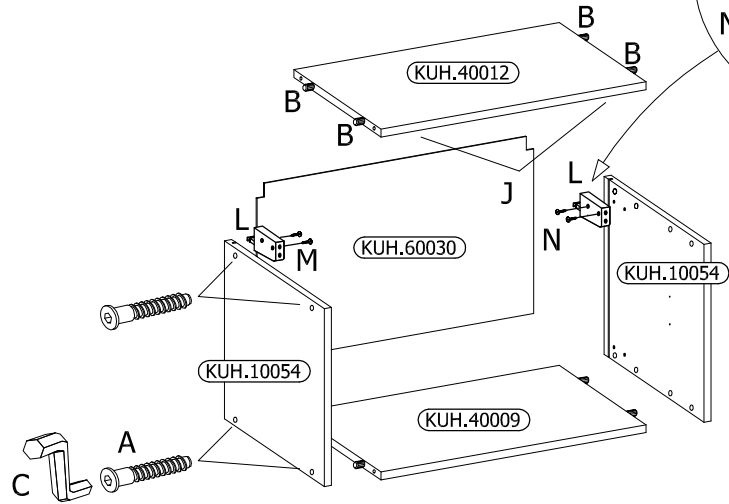
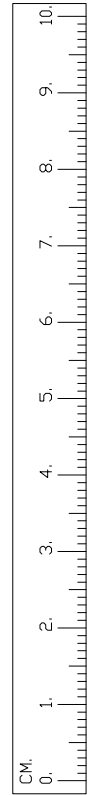
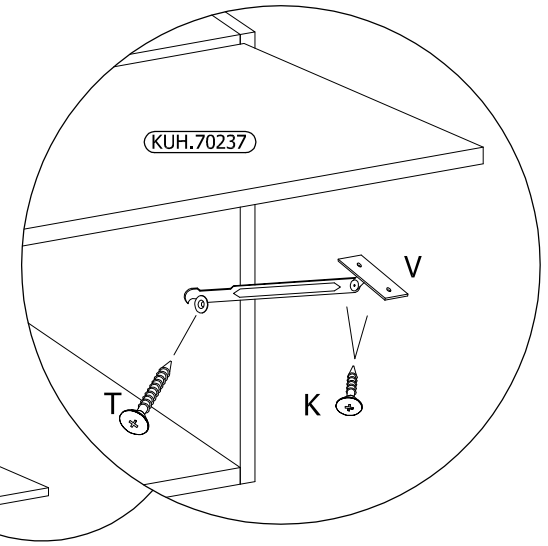
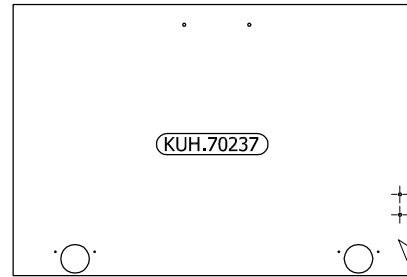
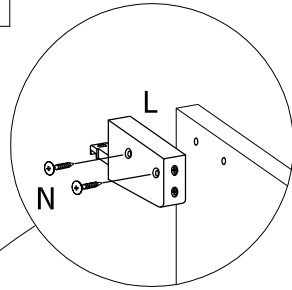
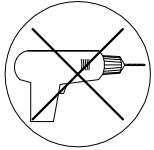
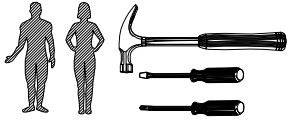


ISM-KUH-00395

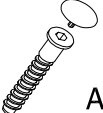




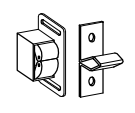
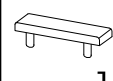


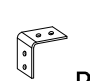


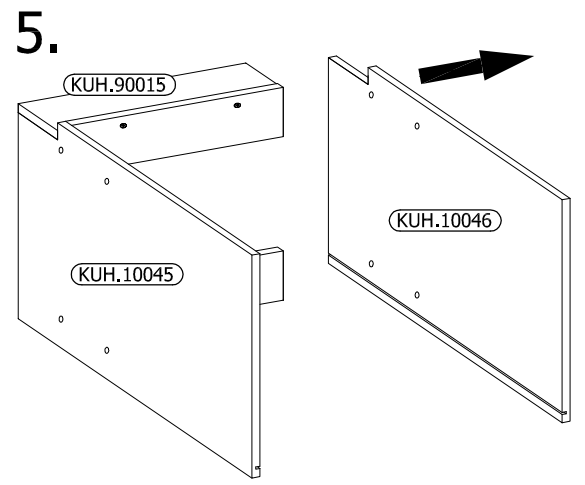
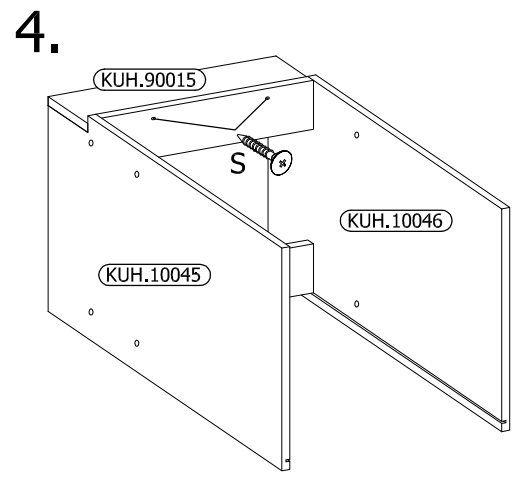
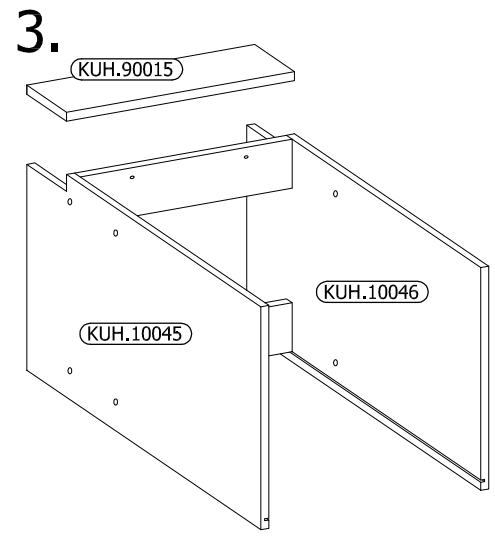
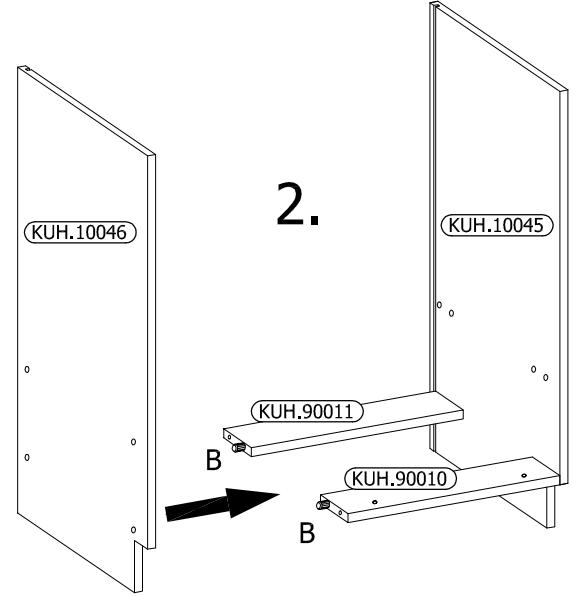
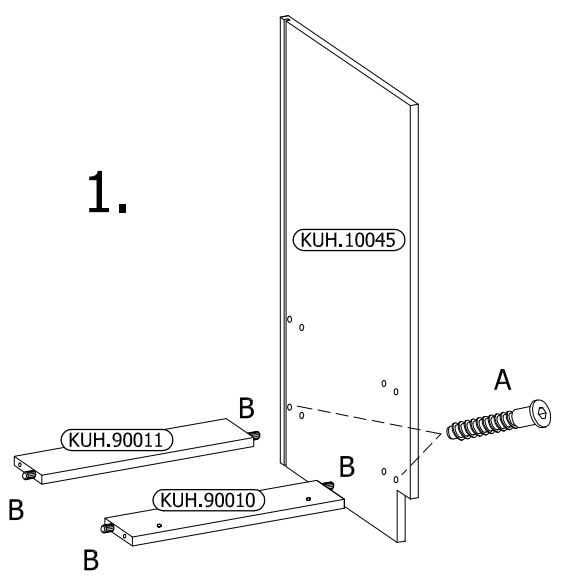
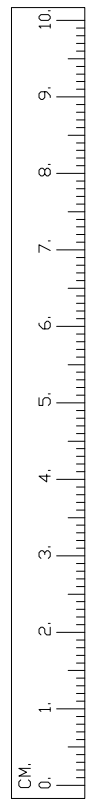
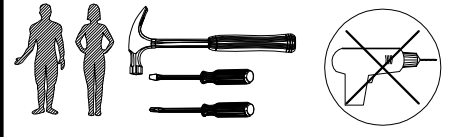
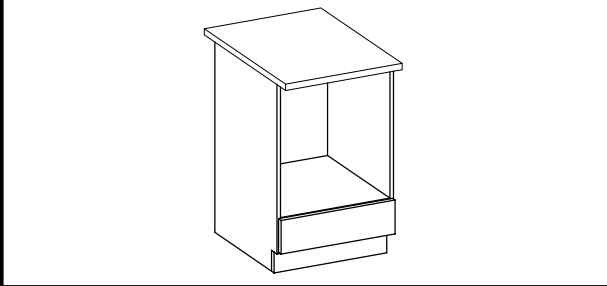


 A 8	 B 8	 C 1	 D 1	 E 2	 F 10-15	 I 2	 J 2	 K 6	 L 2	 N 4	 N 2
 T 1	 V 1										



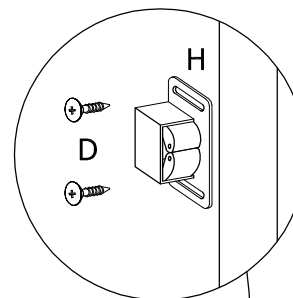
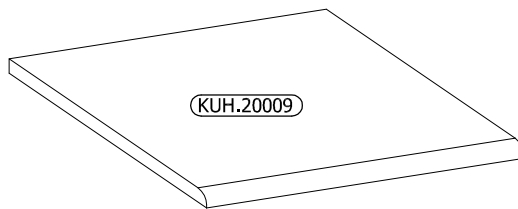
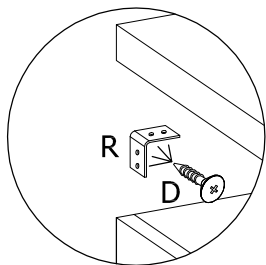
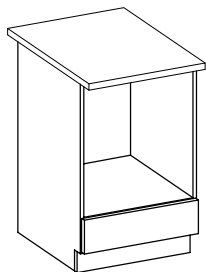
ISM-KUH-00398

									
A	B	C	D	F	H	J	S	T	R
8	8	1	16	8	2	4	2	2	2



ISM-KUH-00401

)



6.

