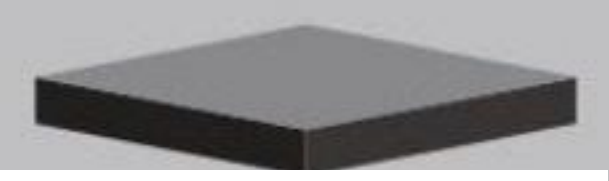
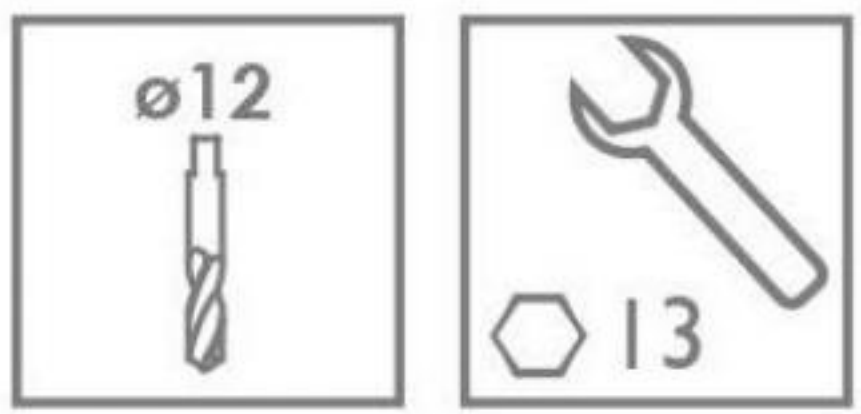
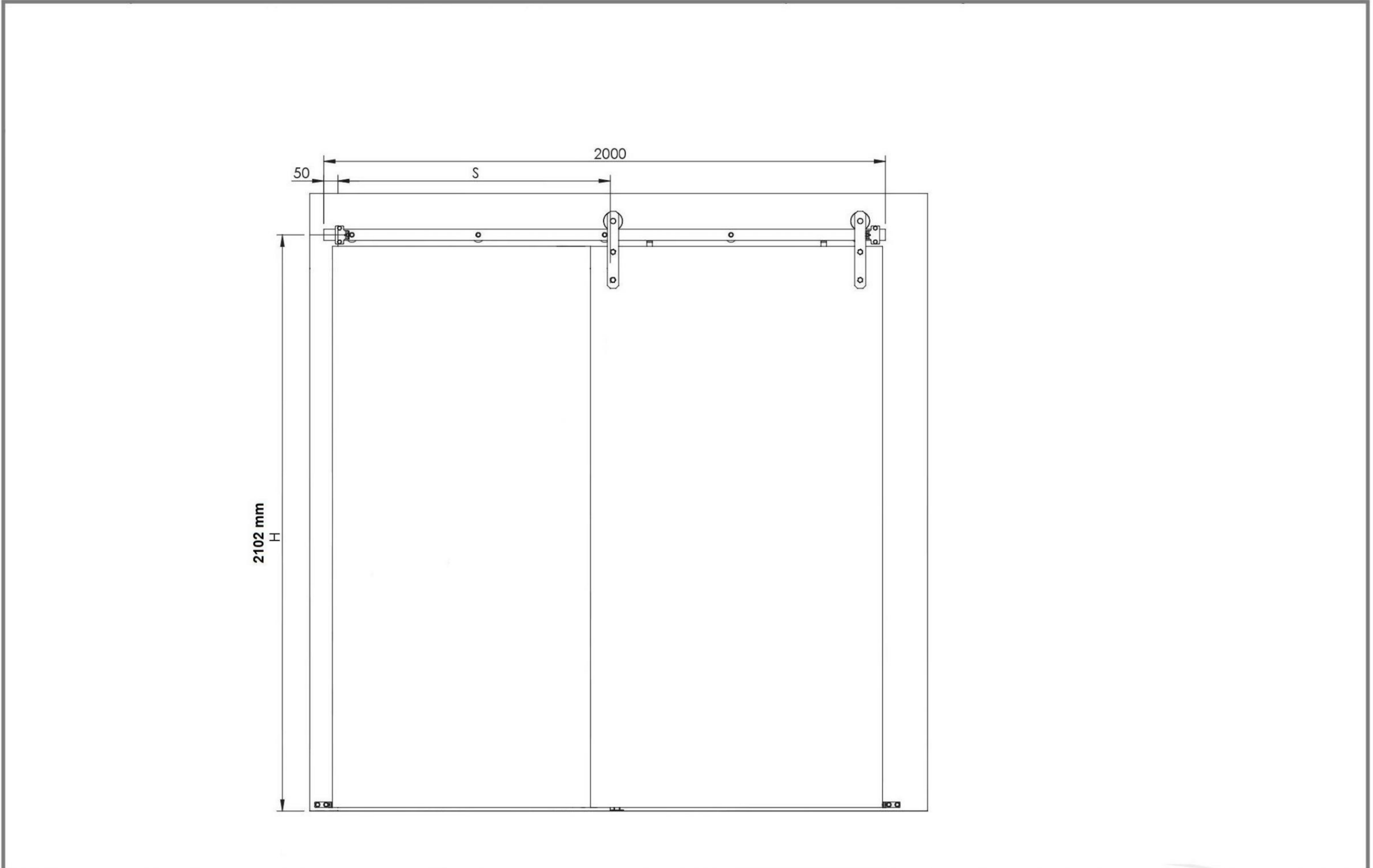
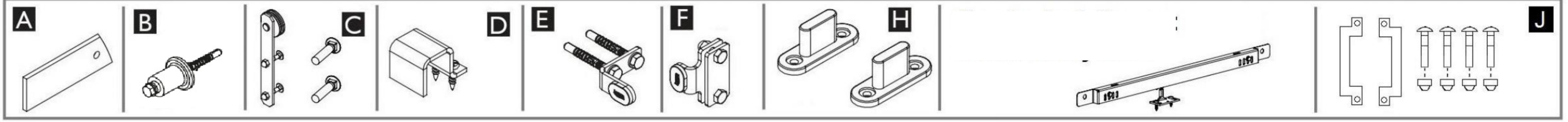
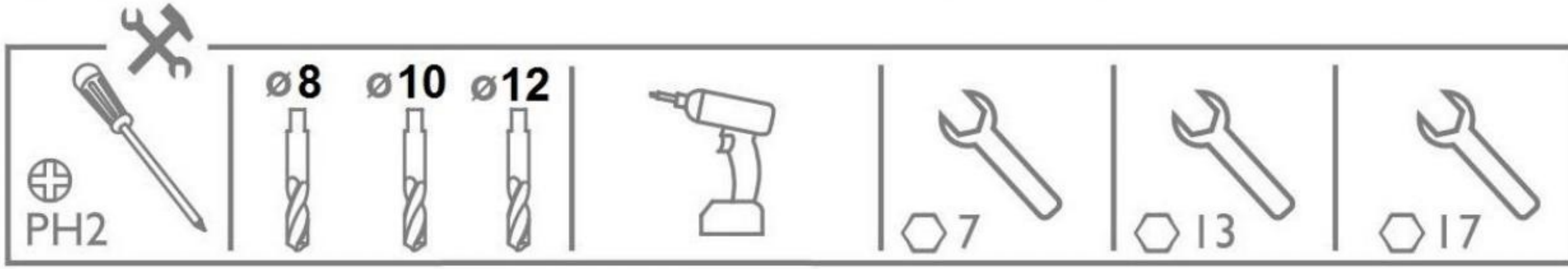


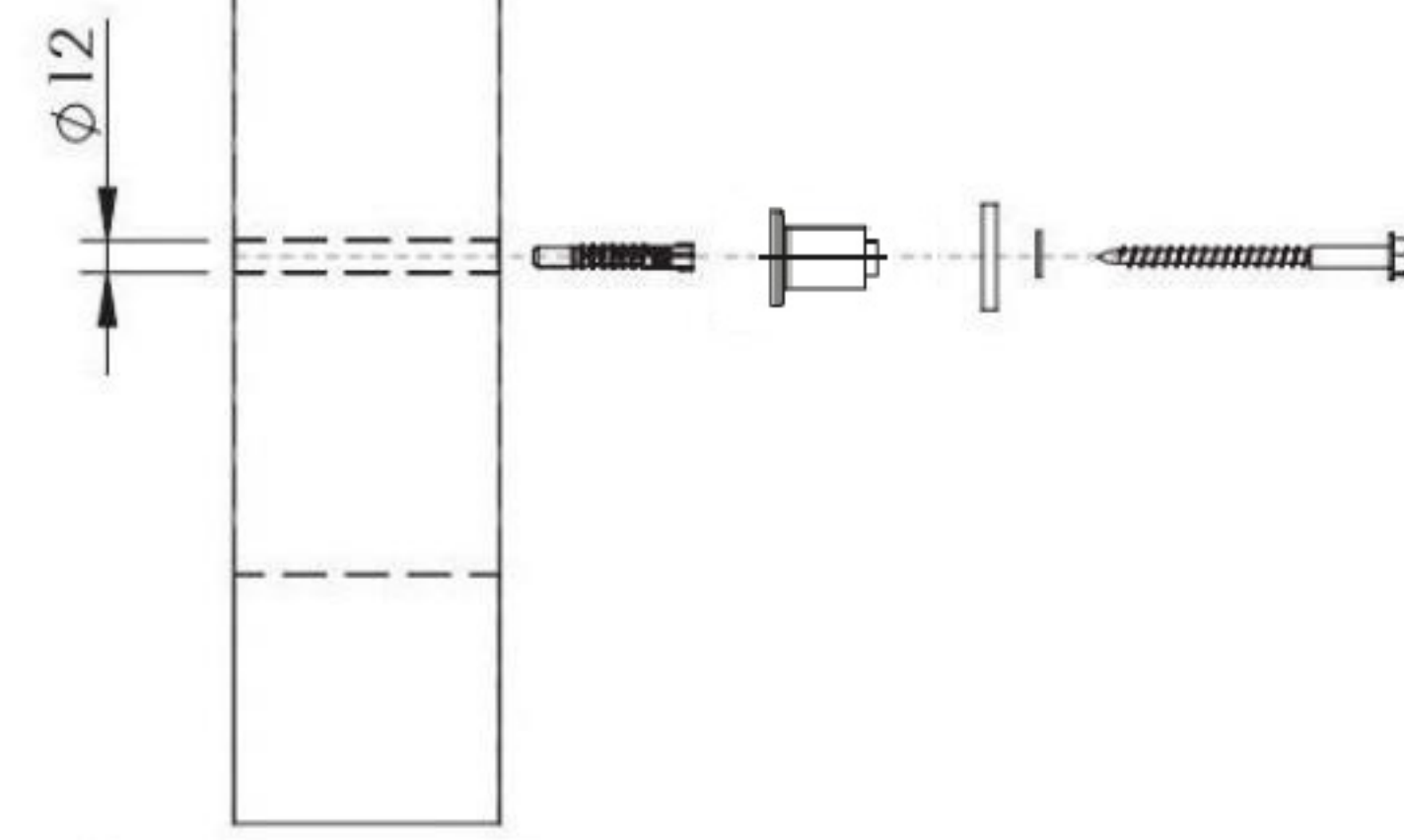
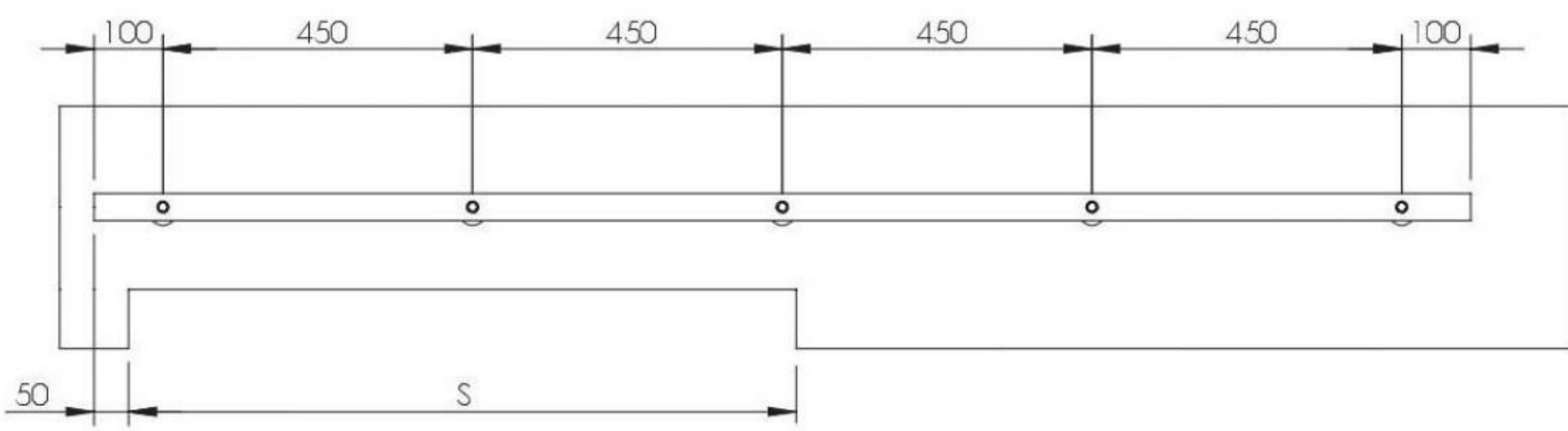
100
kg



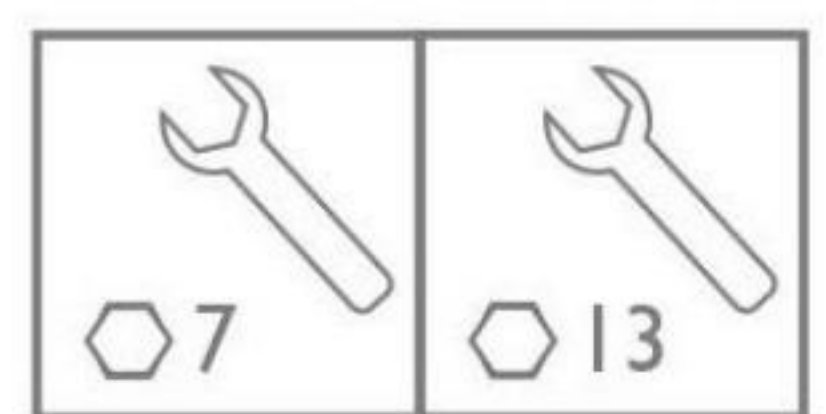
16 mm



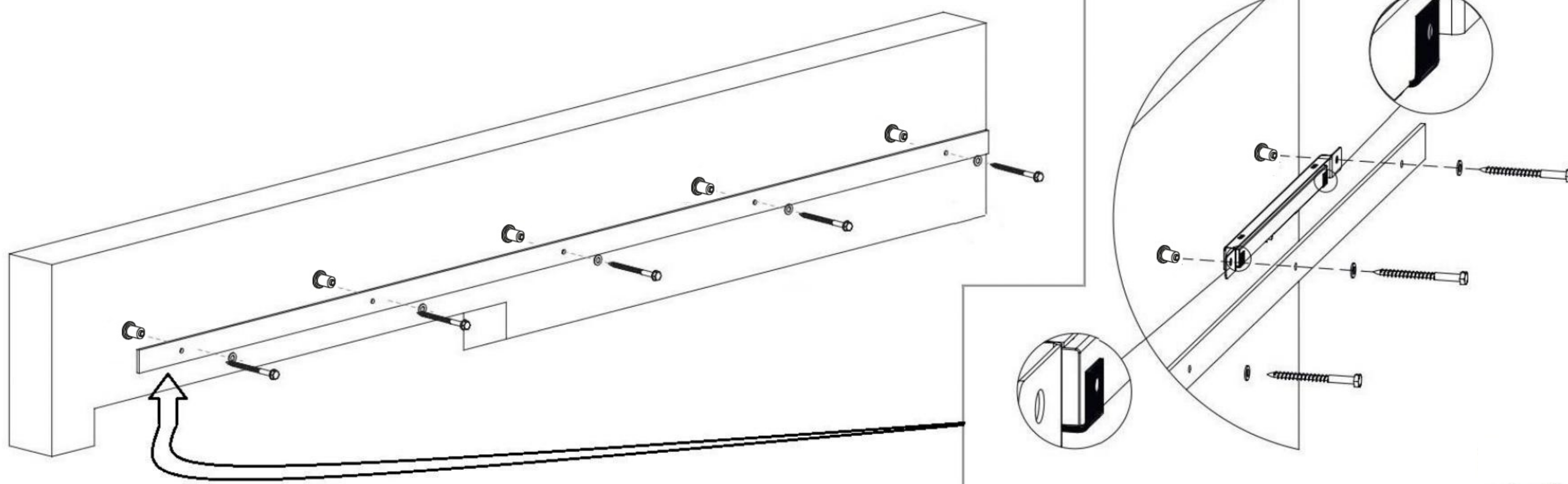
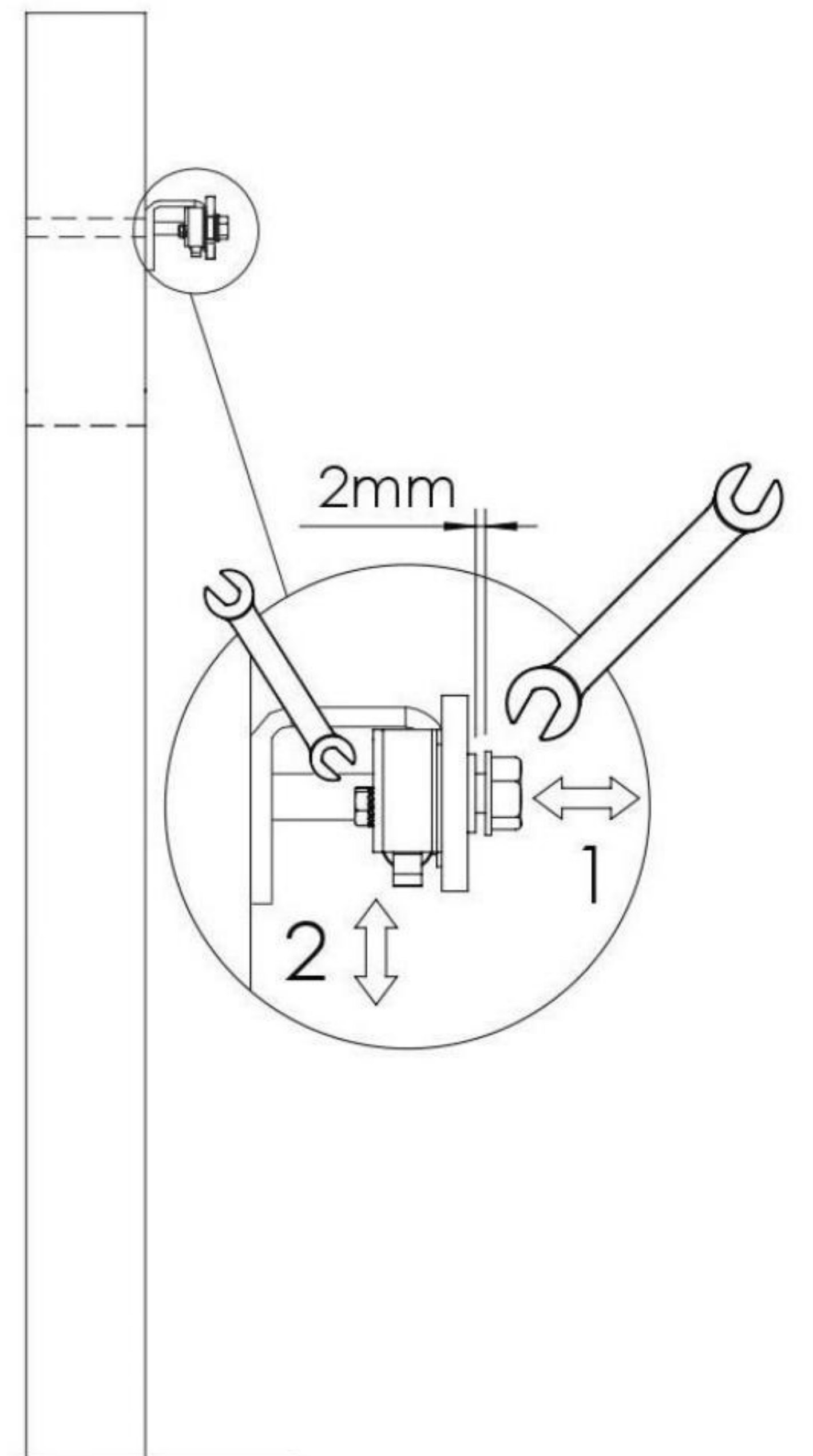
A, B, G

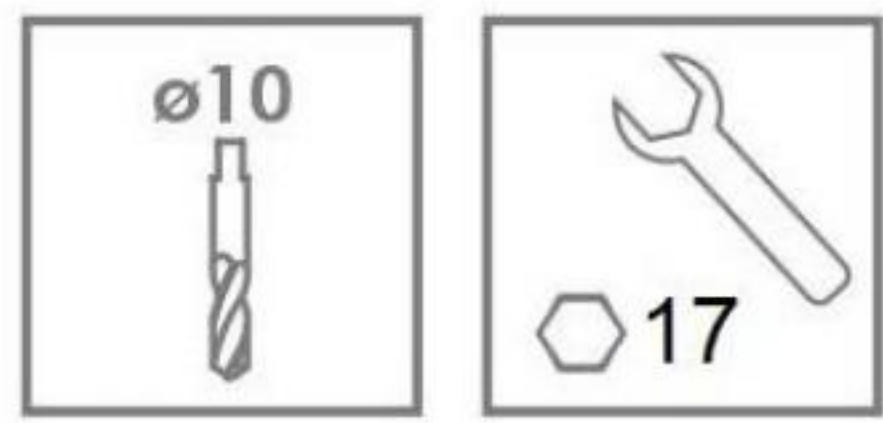


1.1



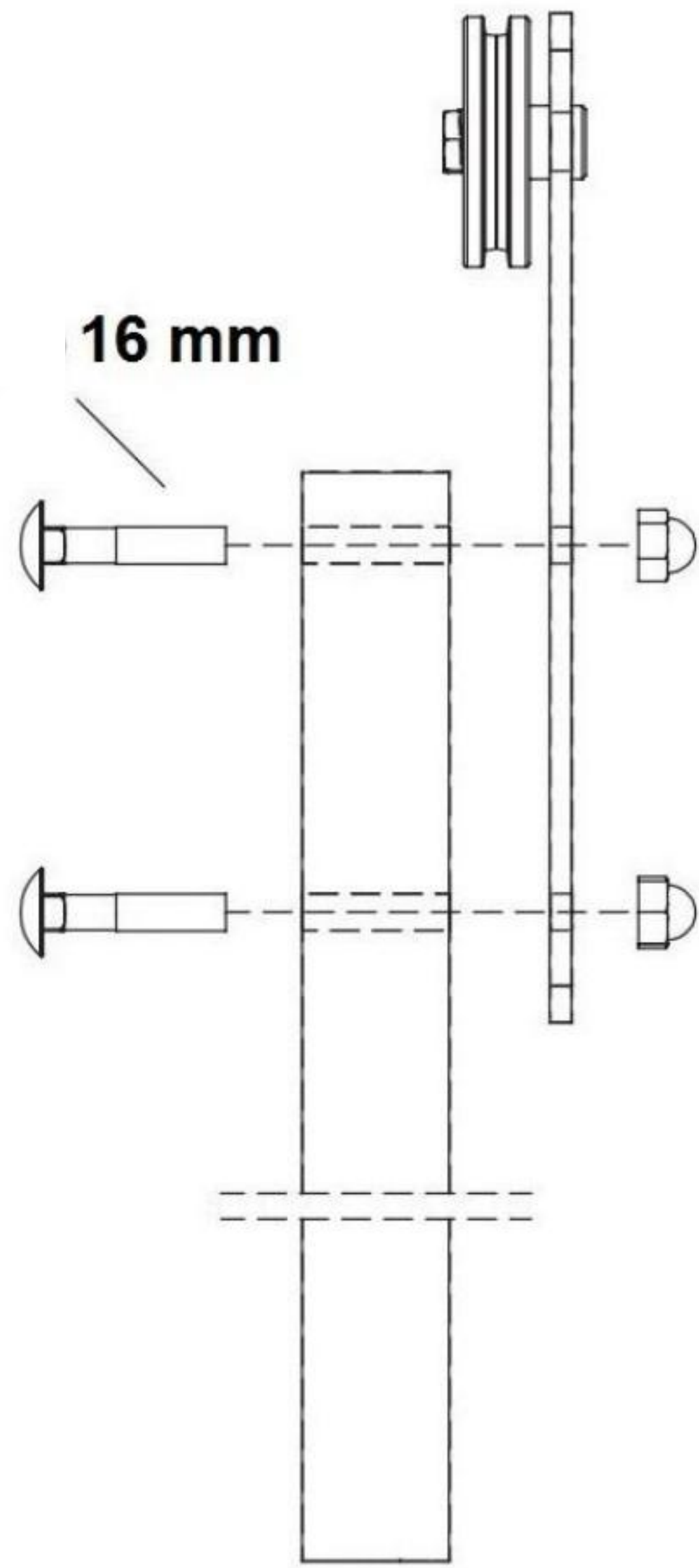
1.2



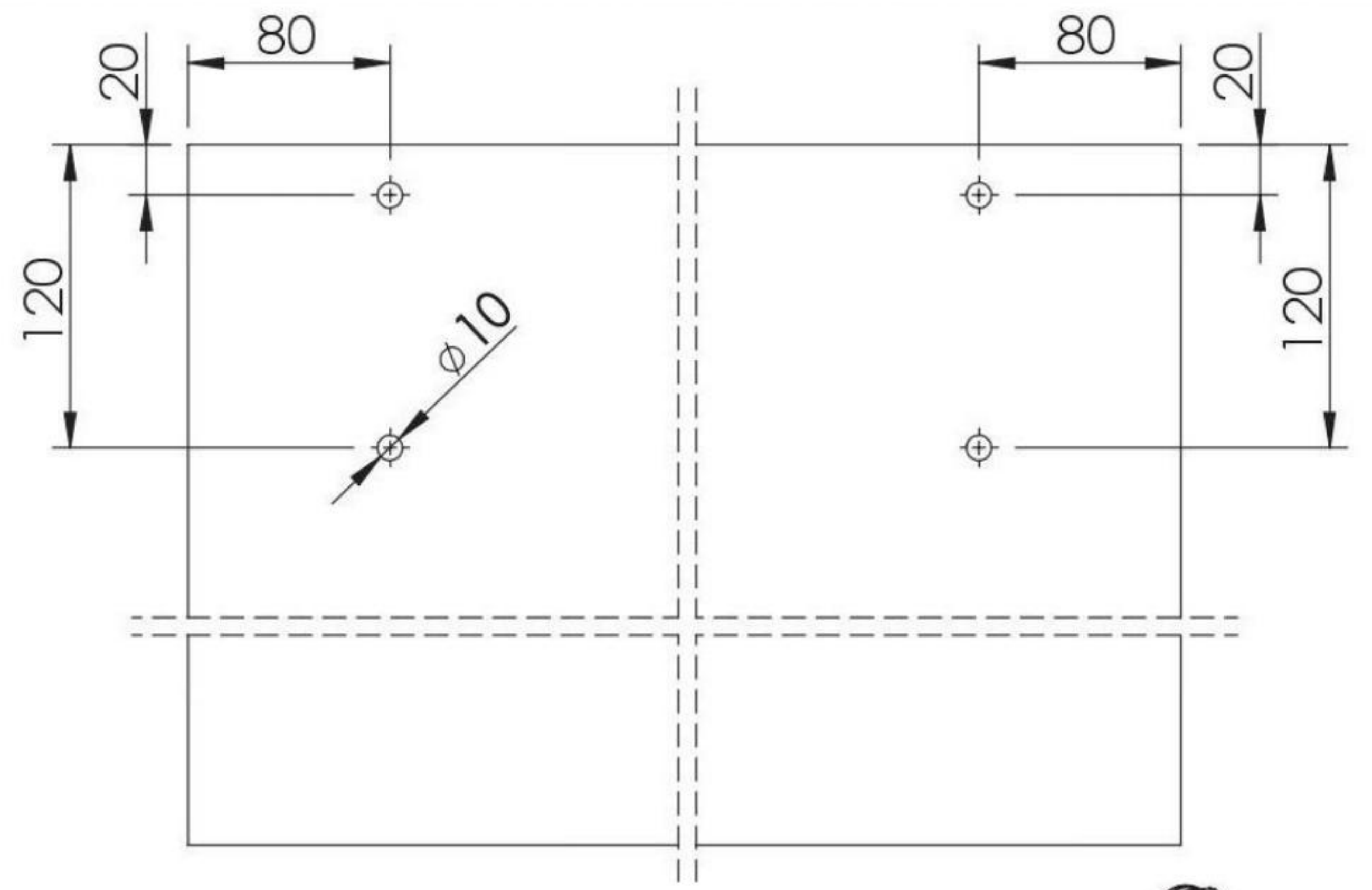


C, I

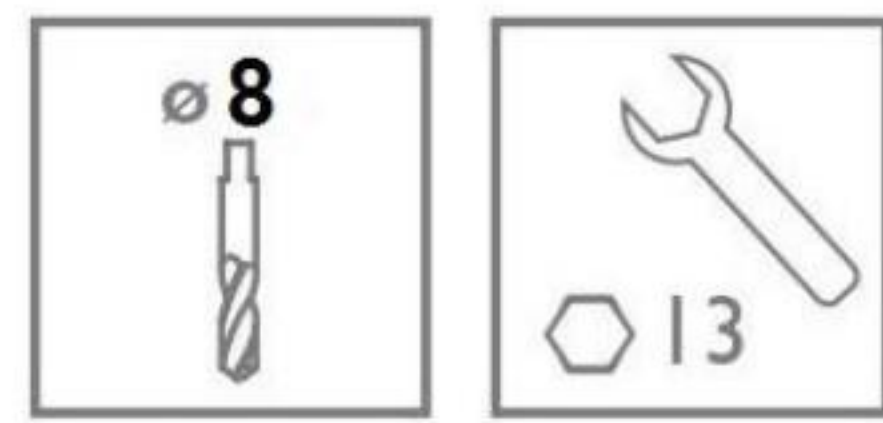
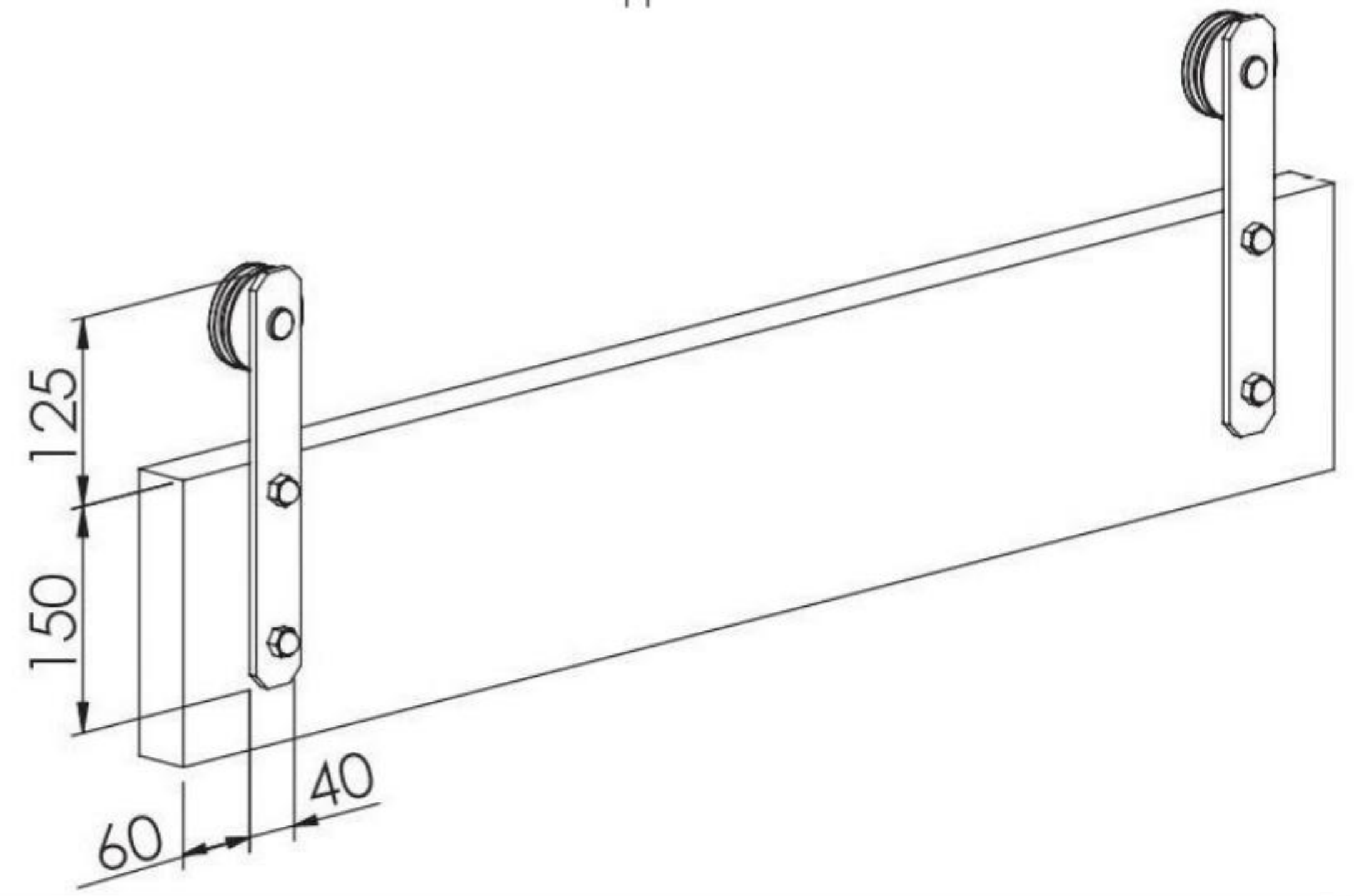
M10x30 -



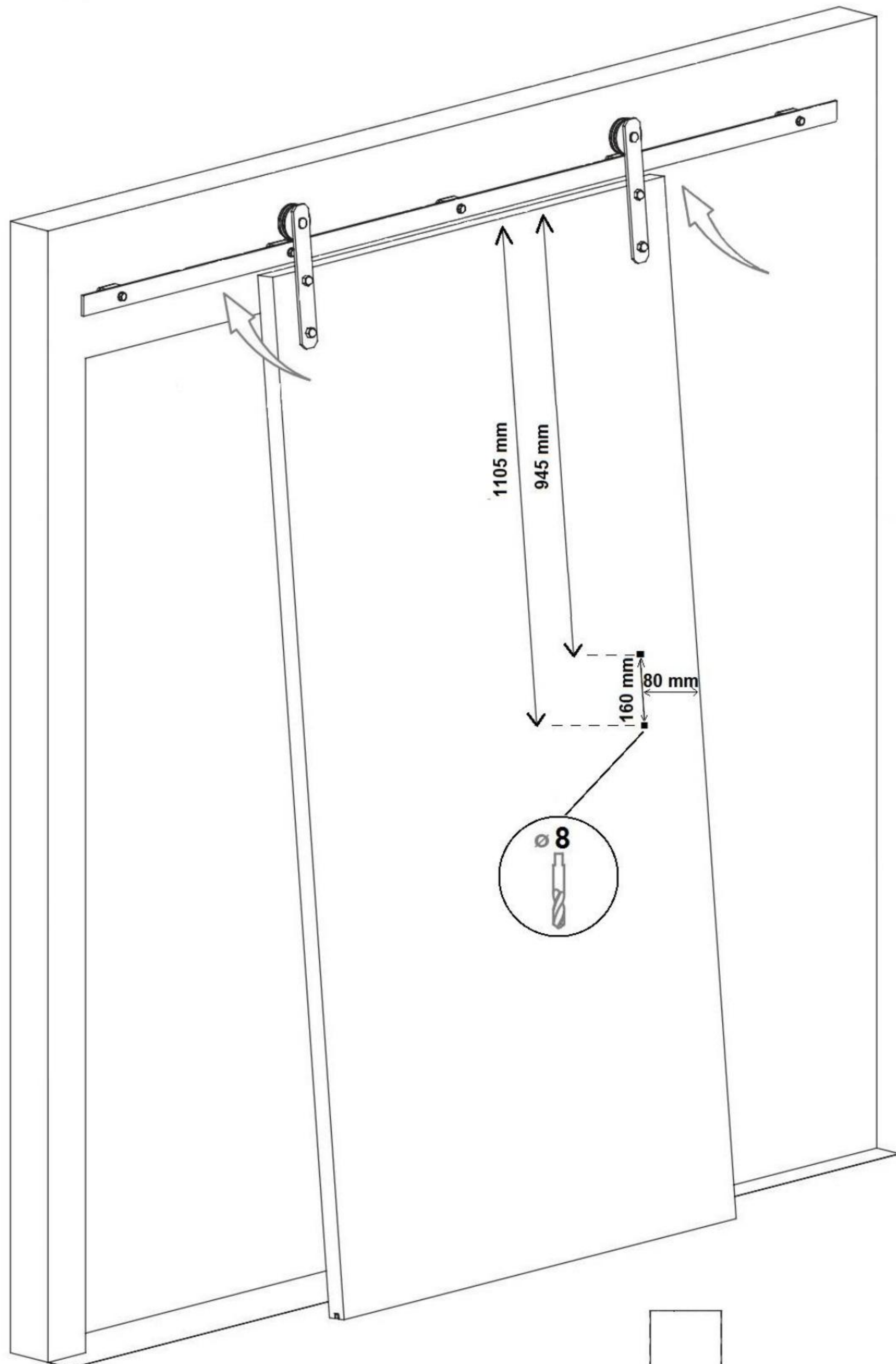
16 mm



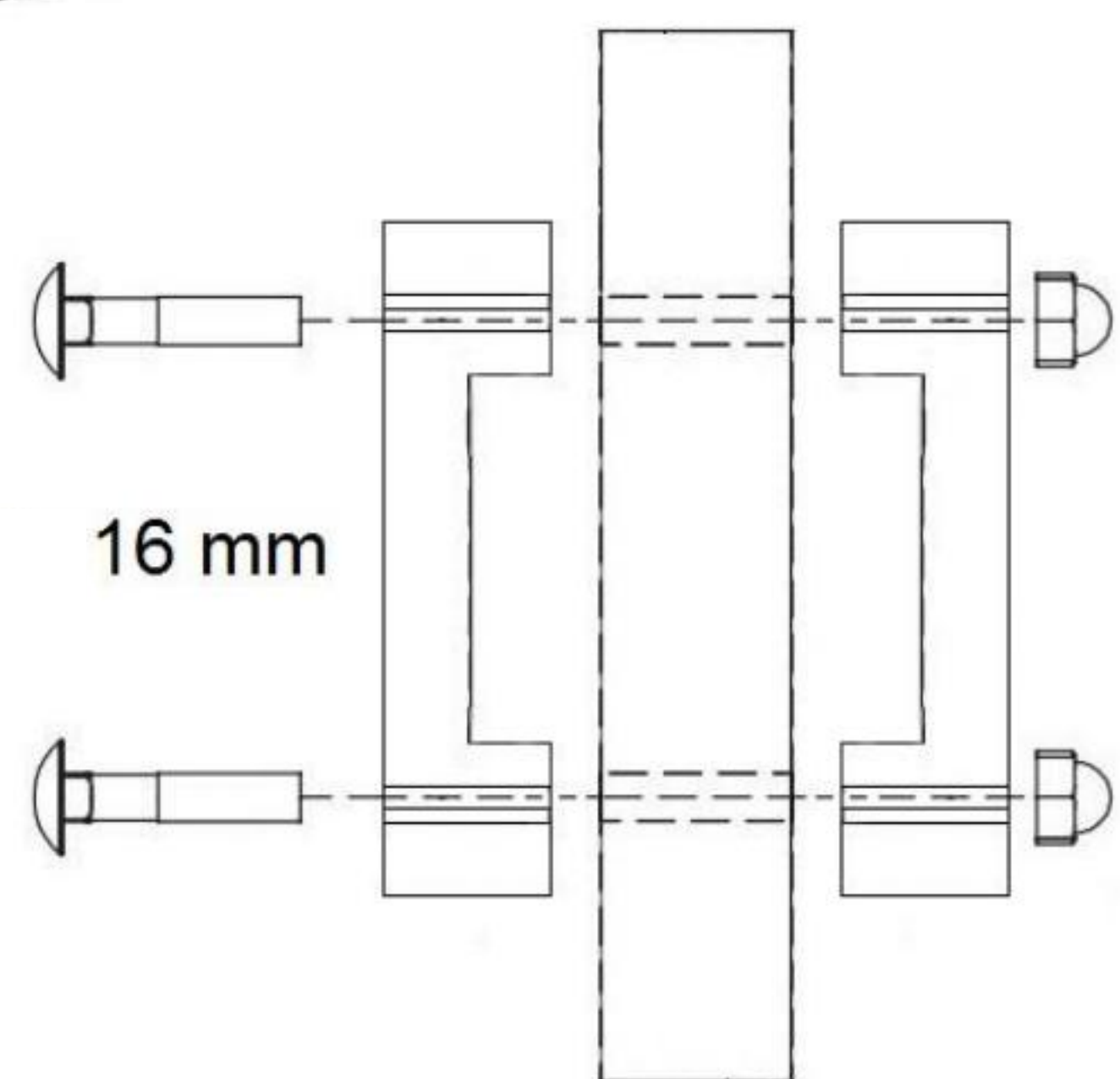
2



3



M8x25 -



16 mm



D, E, F, H

4

