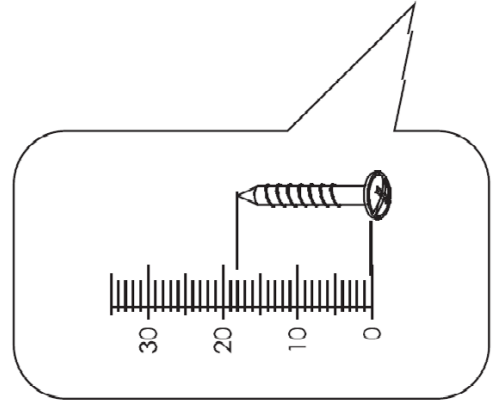
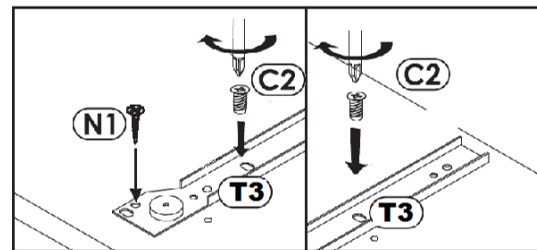
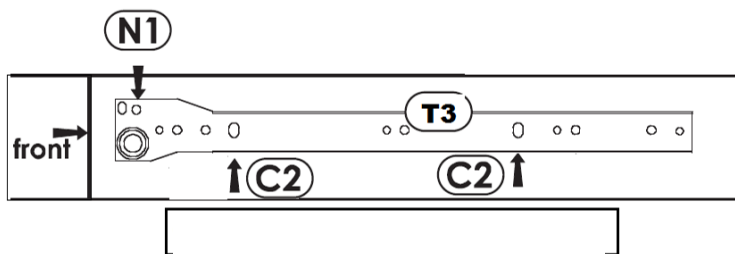
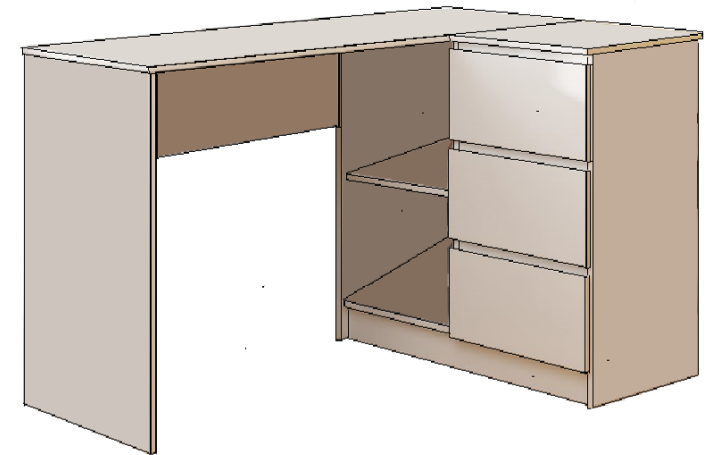
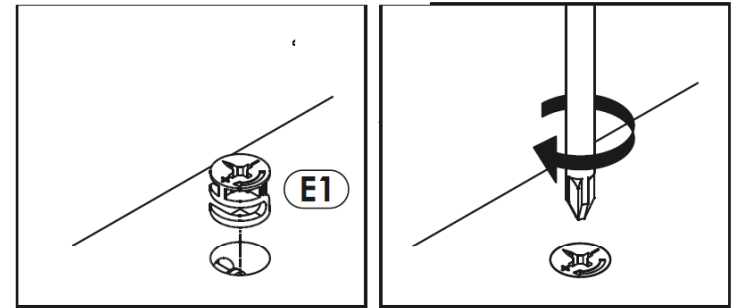
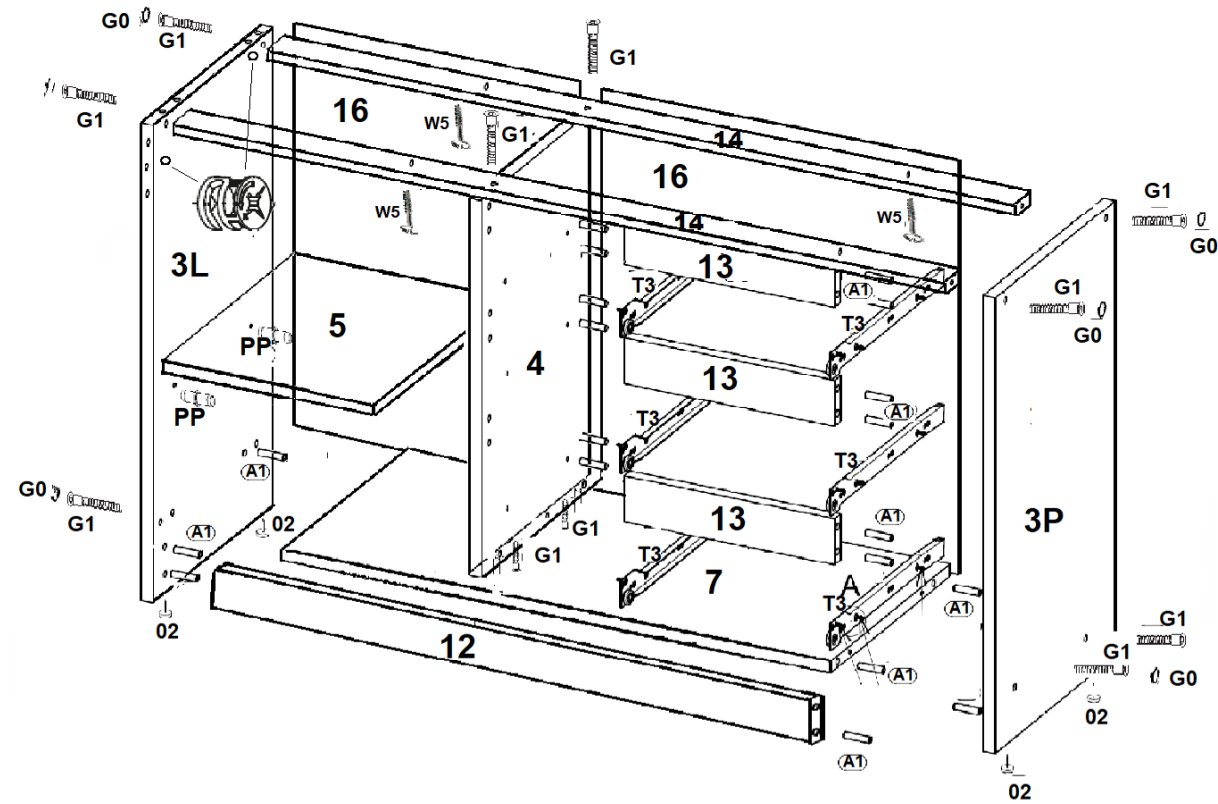
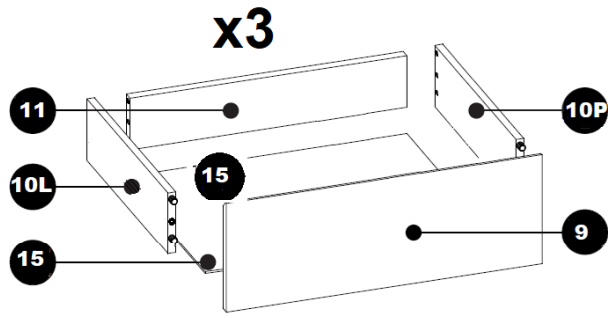
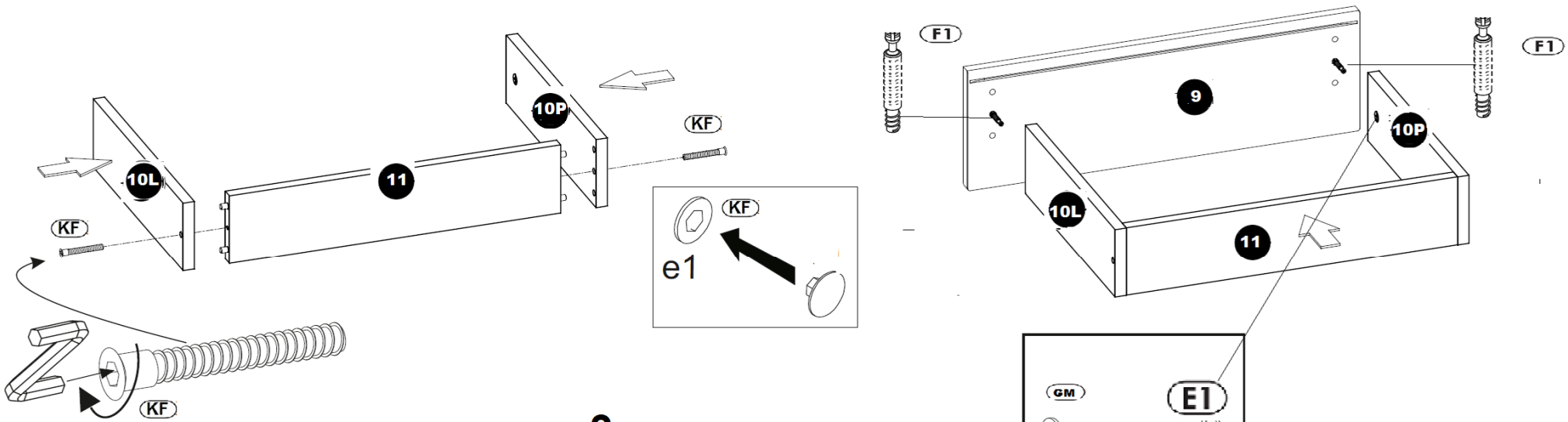


(A1) x 55 8x35 	(C2) x 12 EURO 6X13 	(NL) x 18 3,5X16 	(PP) I x 4
(G1) x 20 7x50 	(G0) x 20 	(MT) x 3 	(M) x 16
(M) x 1 	(T3) x 3 350mm 	(O2) x 6 	(G1) x 80
(F1) x 10 	(W4) x 3 t 3,5 x 20 	(SP) x 3 	(W5) x 4 4x30







a=b

