


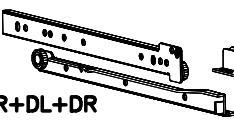
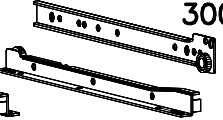
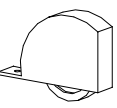
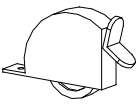

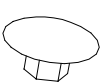
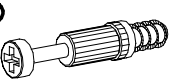
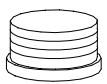
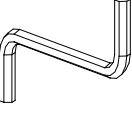
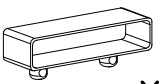



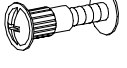
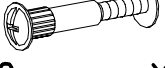

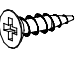
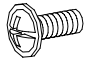
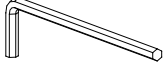
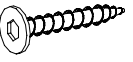
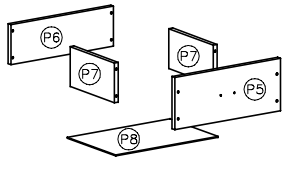
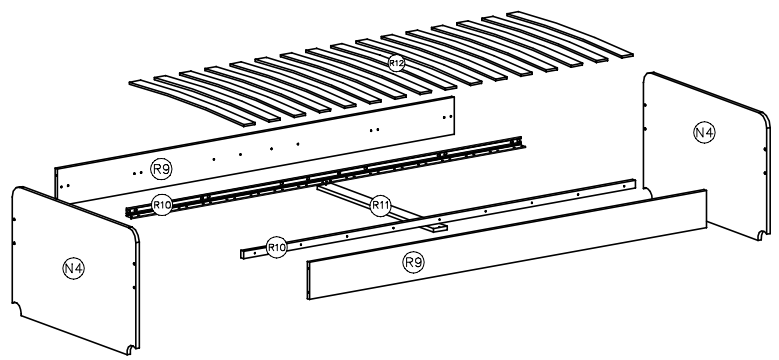
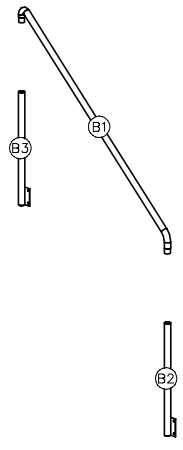
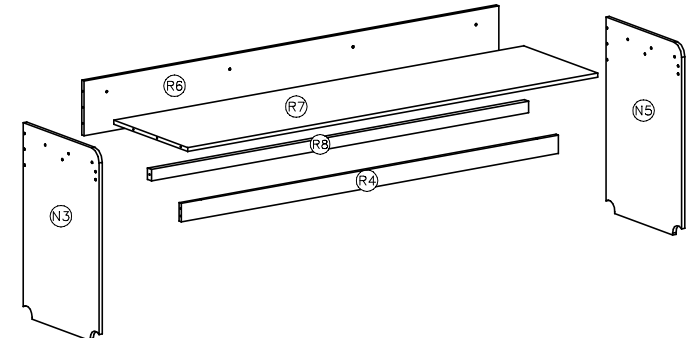
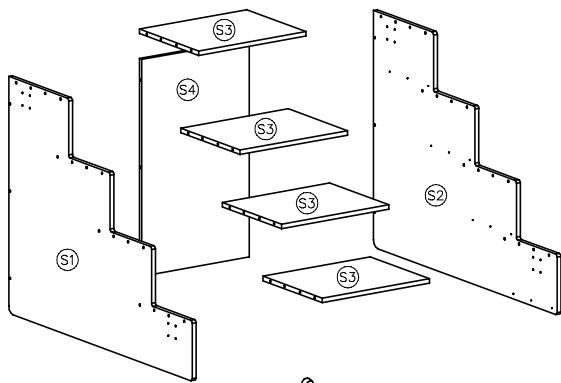
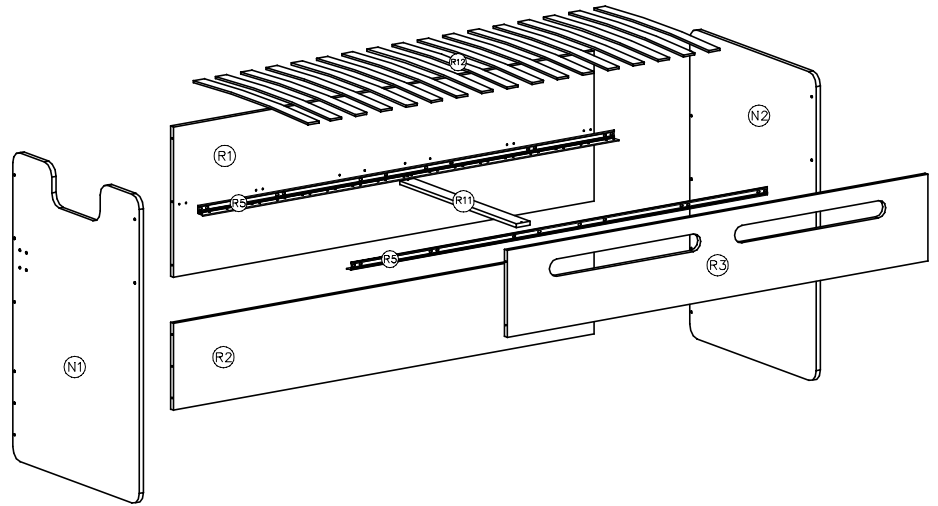
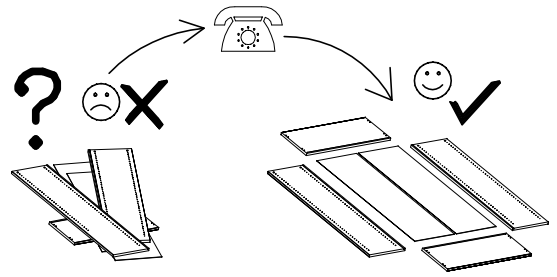
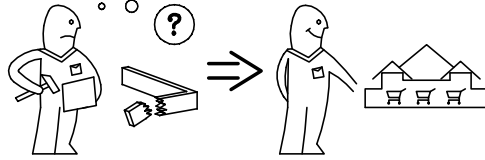
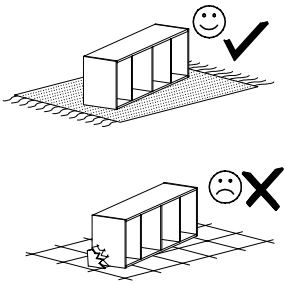
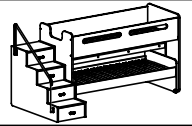
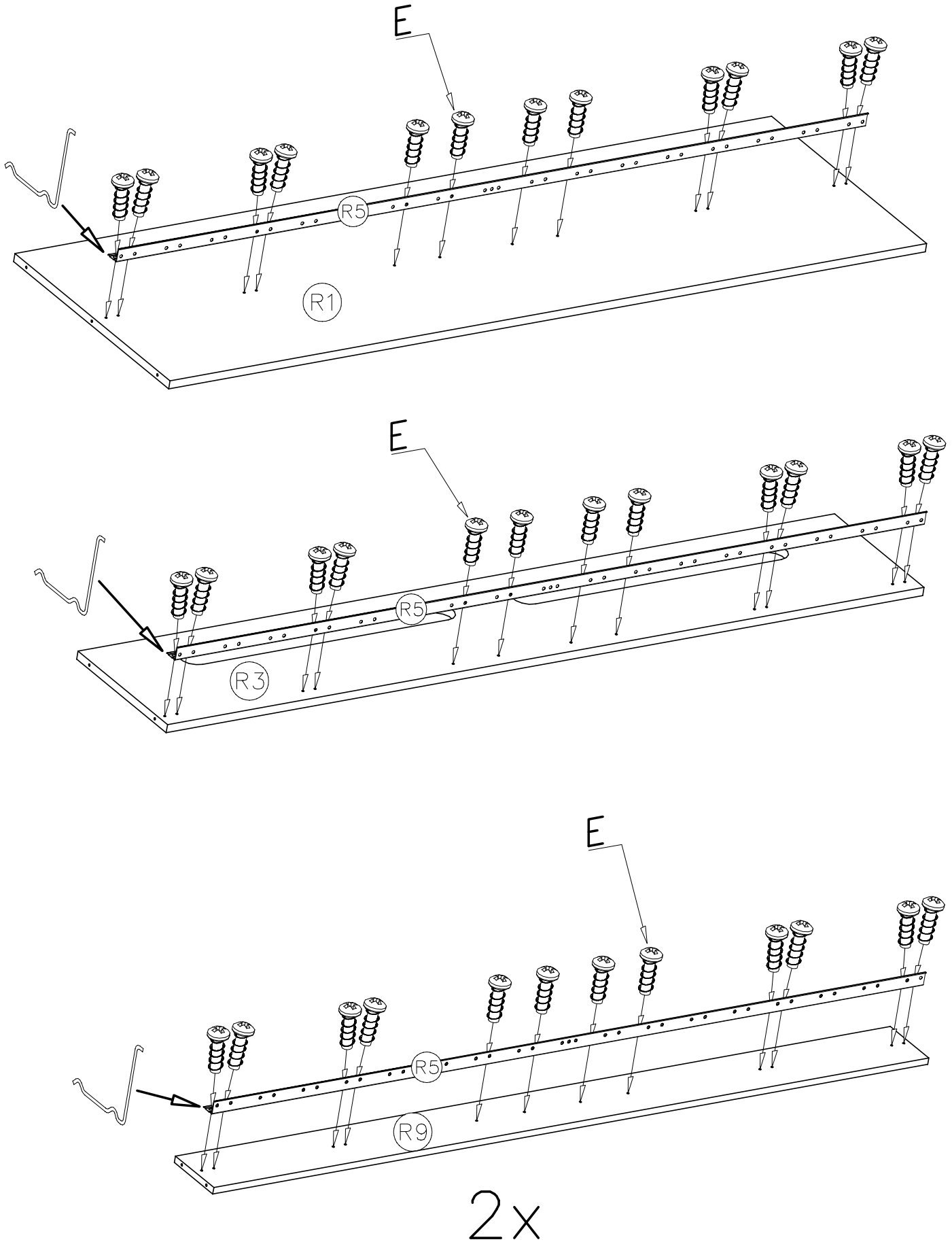


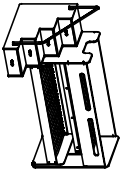
C  3,5x16 x24		G  6x13 x24							
H7  CL+CR+DL+DR x4		300mm  x4		P6  x4		P5  x4		B  4x30 x8	
I7  ø18 4x		K5  4x		W  x3		H  x1		E  x68	
K1  ø15x12 4x		M  x60		E  6x13 x52		S  9x20 x8		T  8x30 x4	
K  x4		L  4x16 x16		D  M5x10 x2		I  x1		J  6x50 x116	



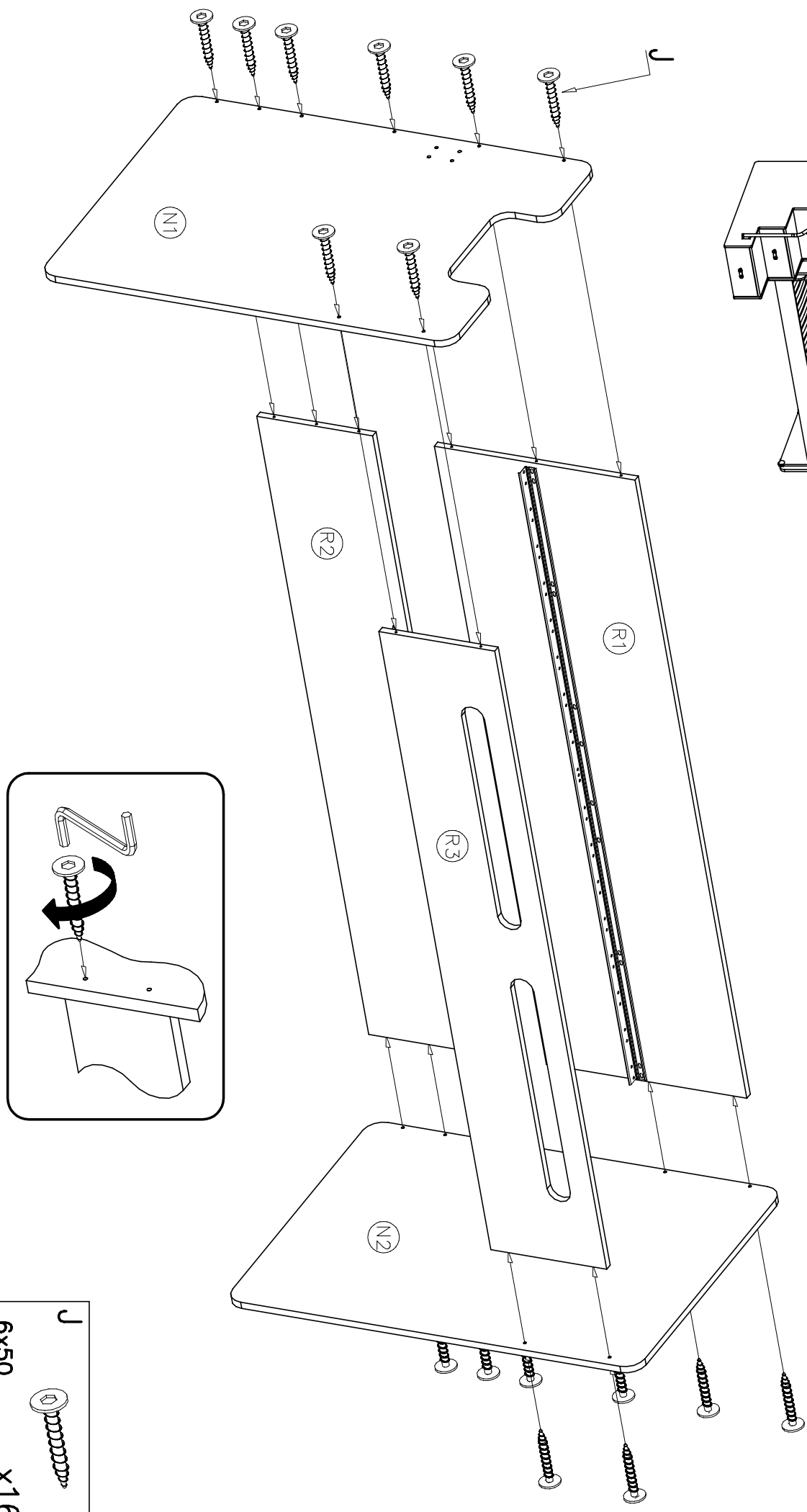
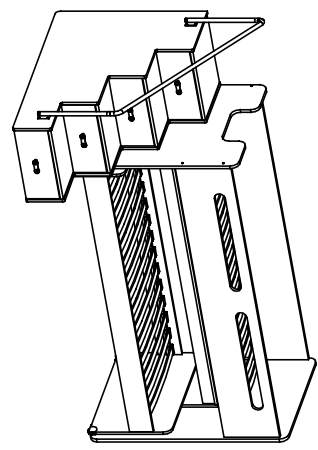


E
6x13 x48

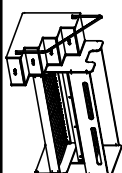
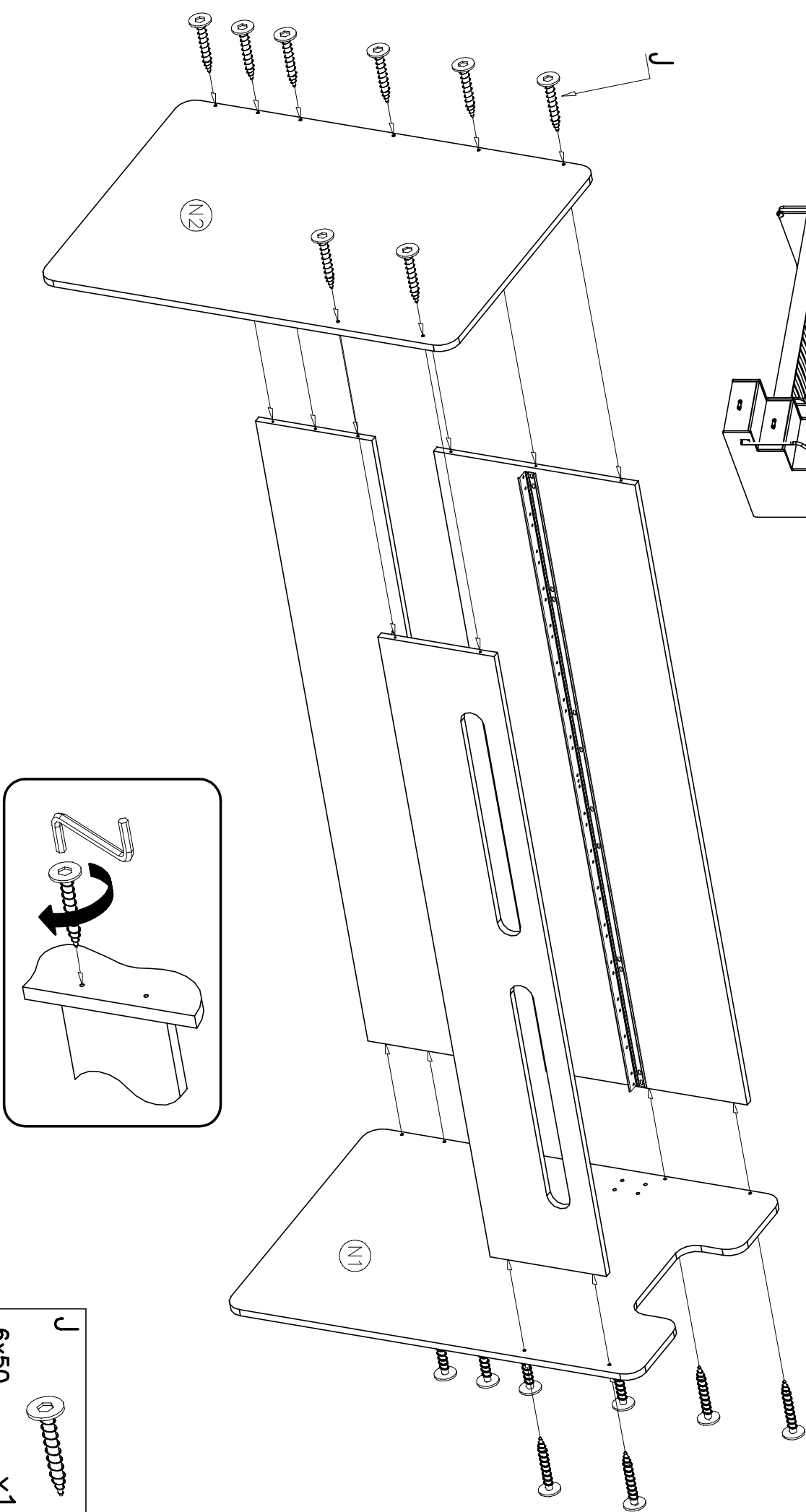
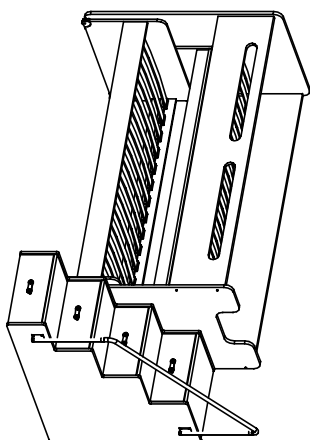




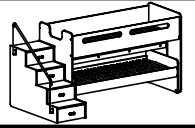
||




J
6x50
x16

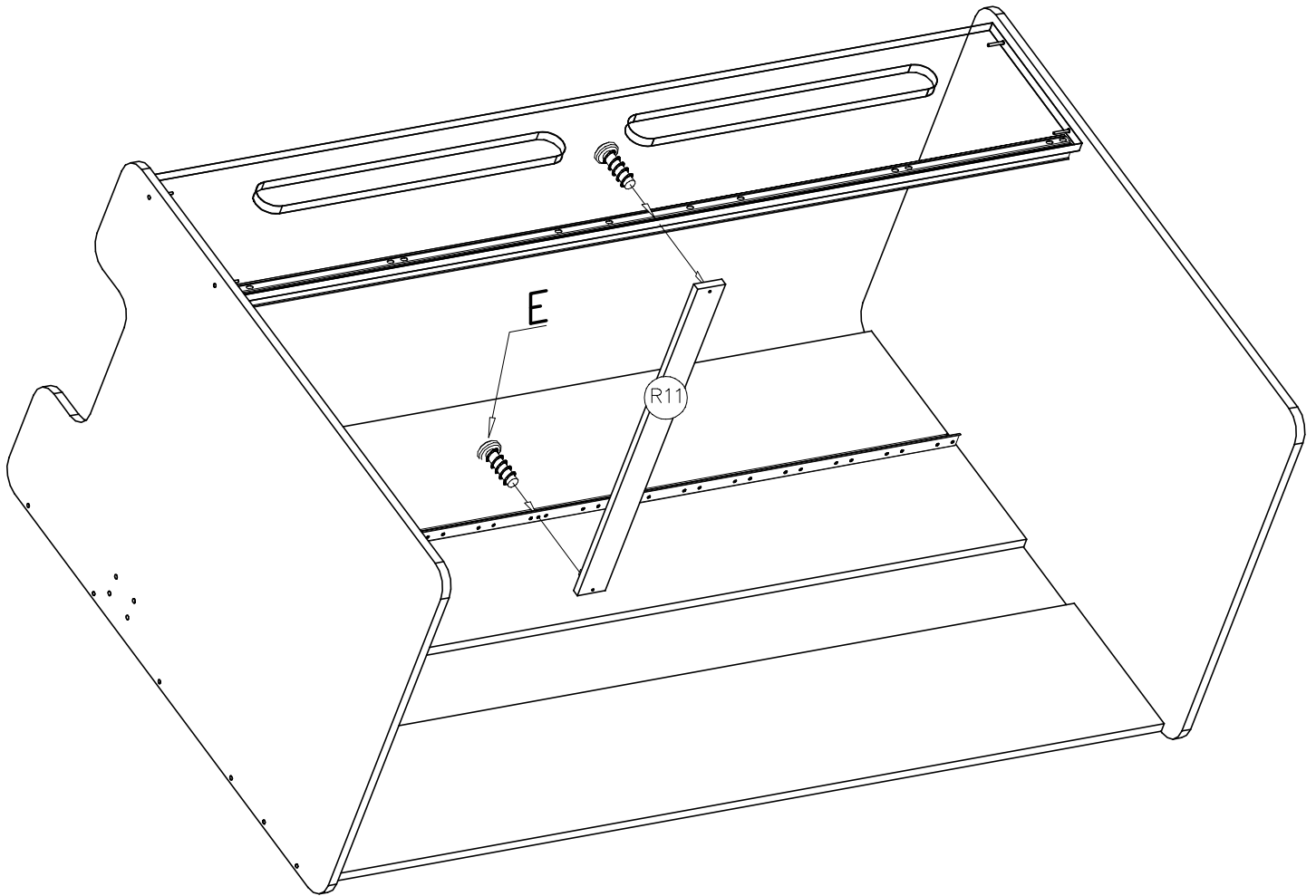


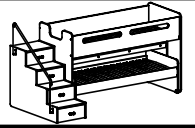
J
6x50
x16



IV

E  6x13 x2



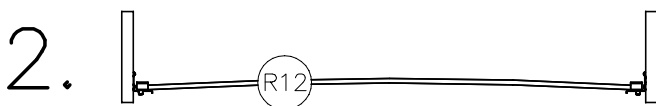
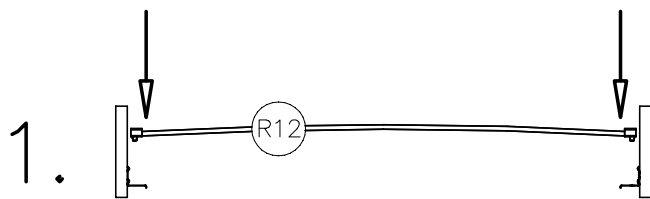
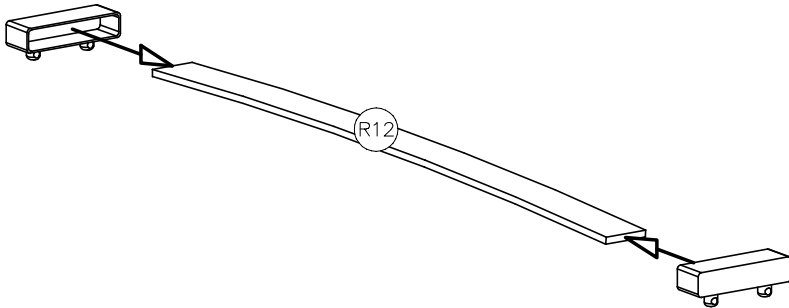
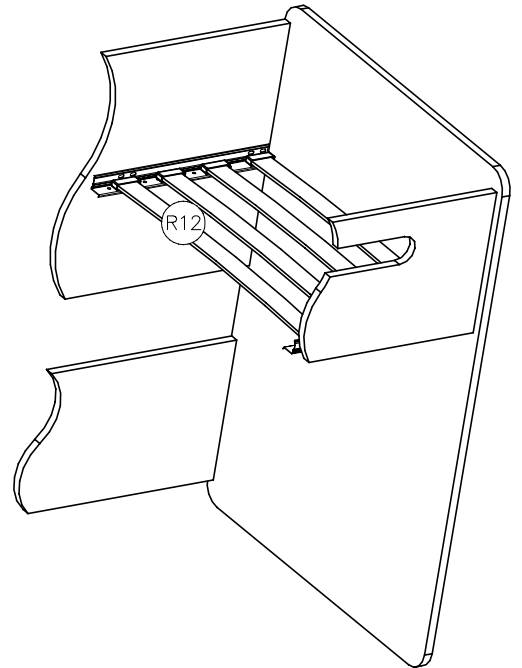
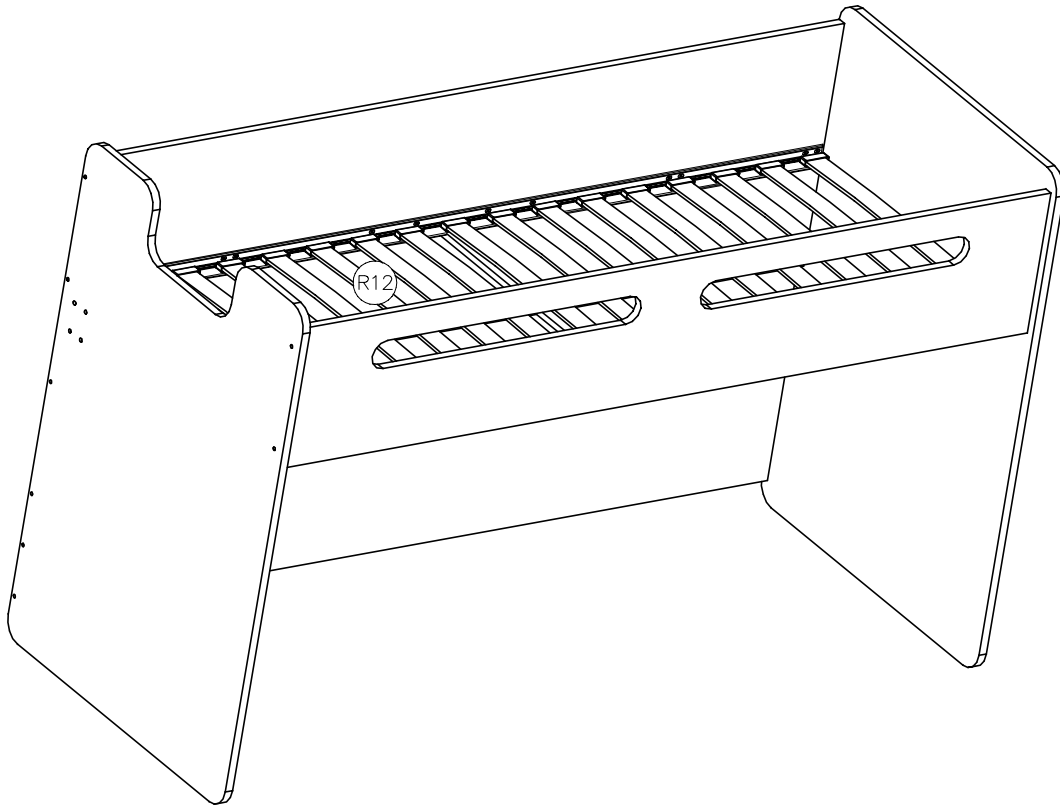


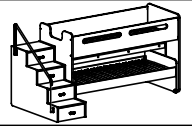
V

M

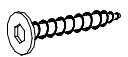


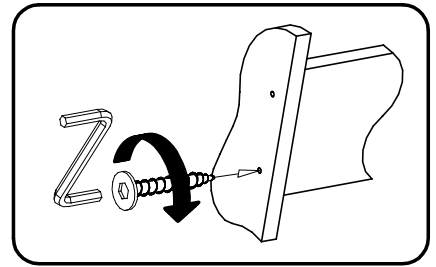
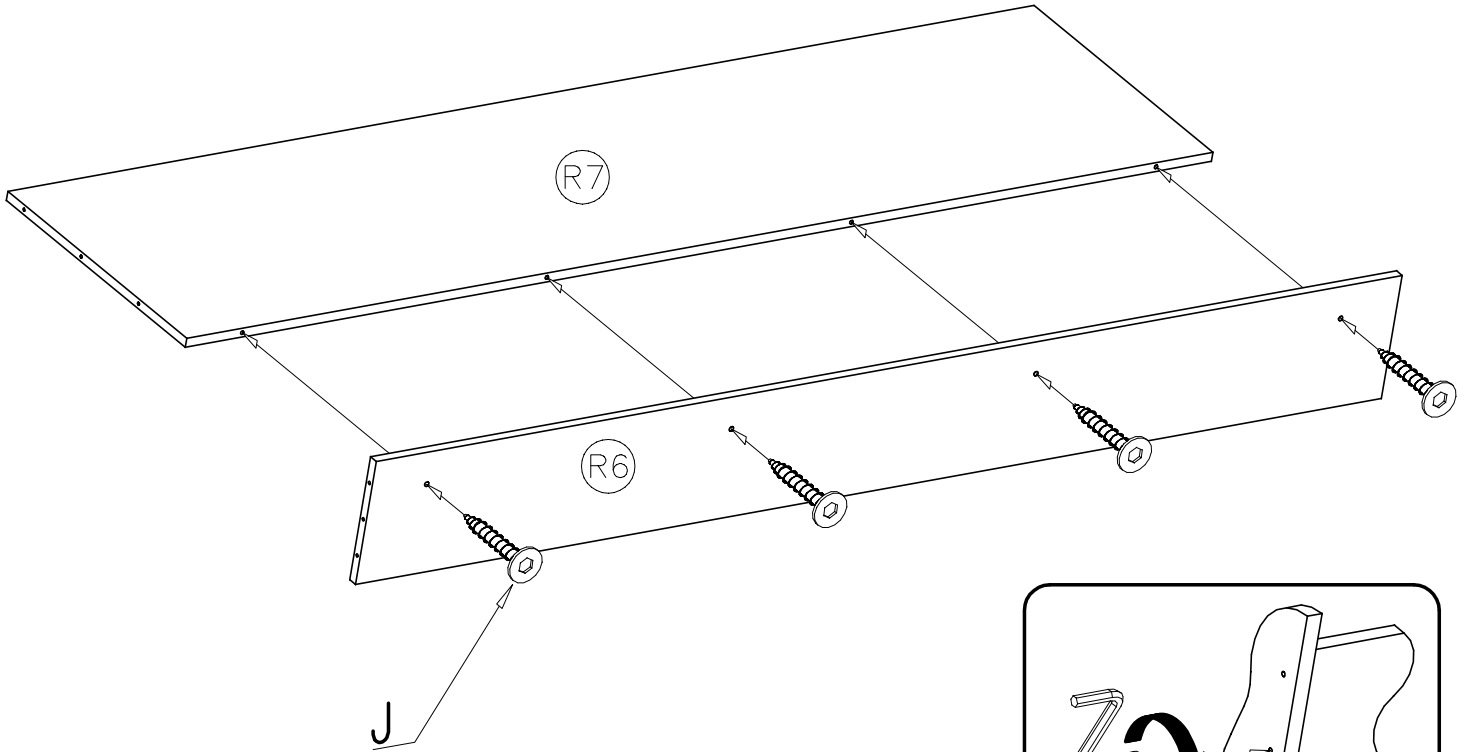
x34



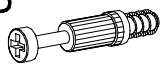
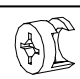


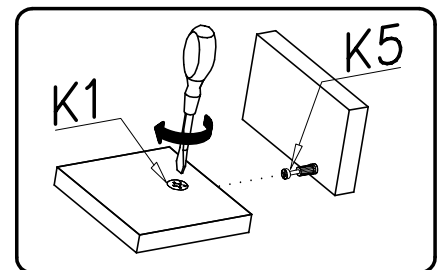
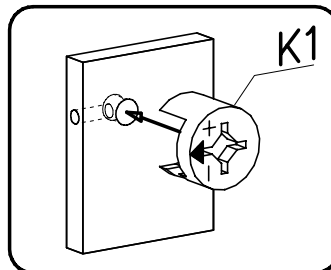
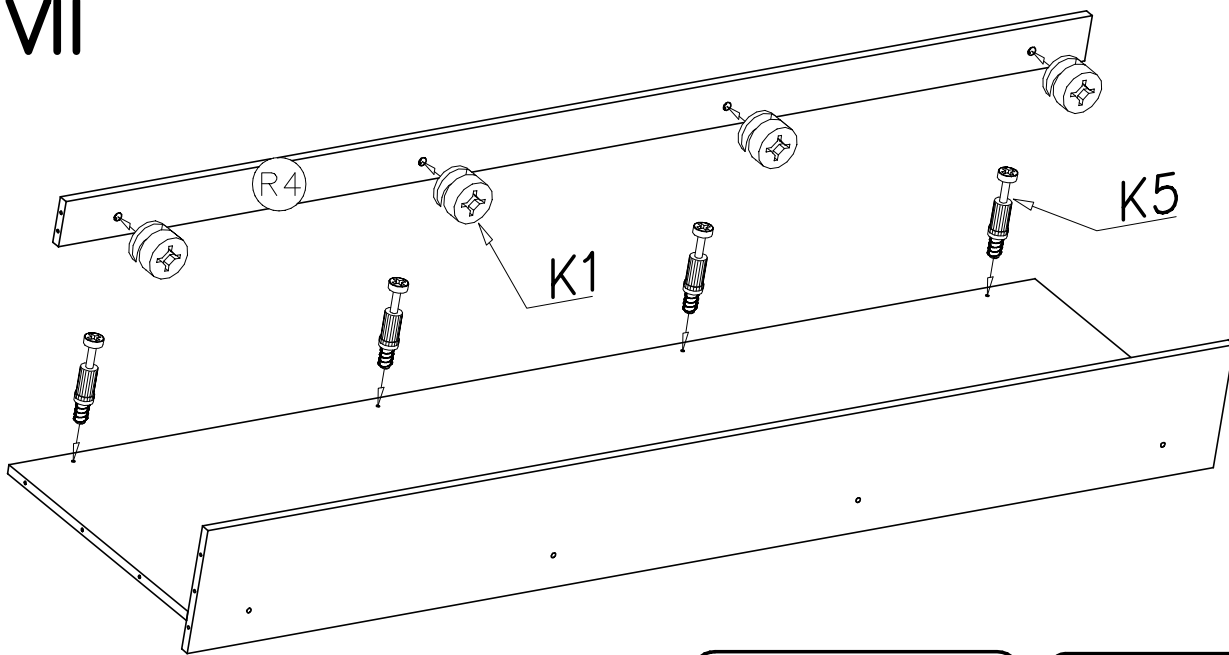
VI

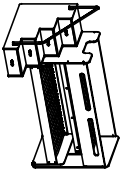
- J  6x50 x4



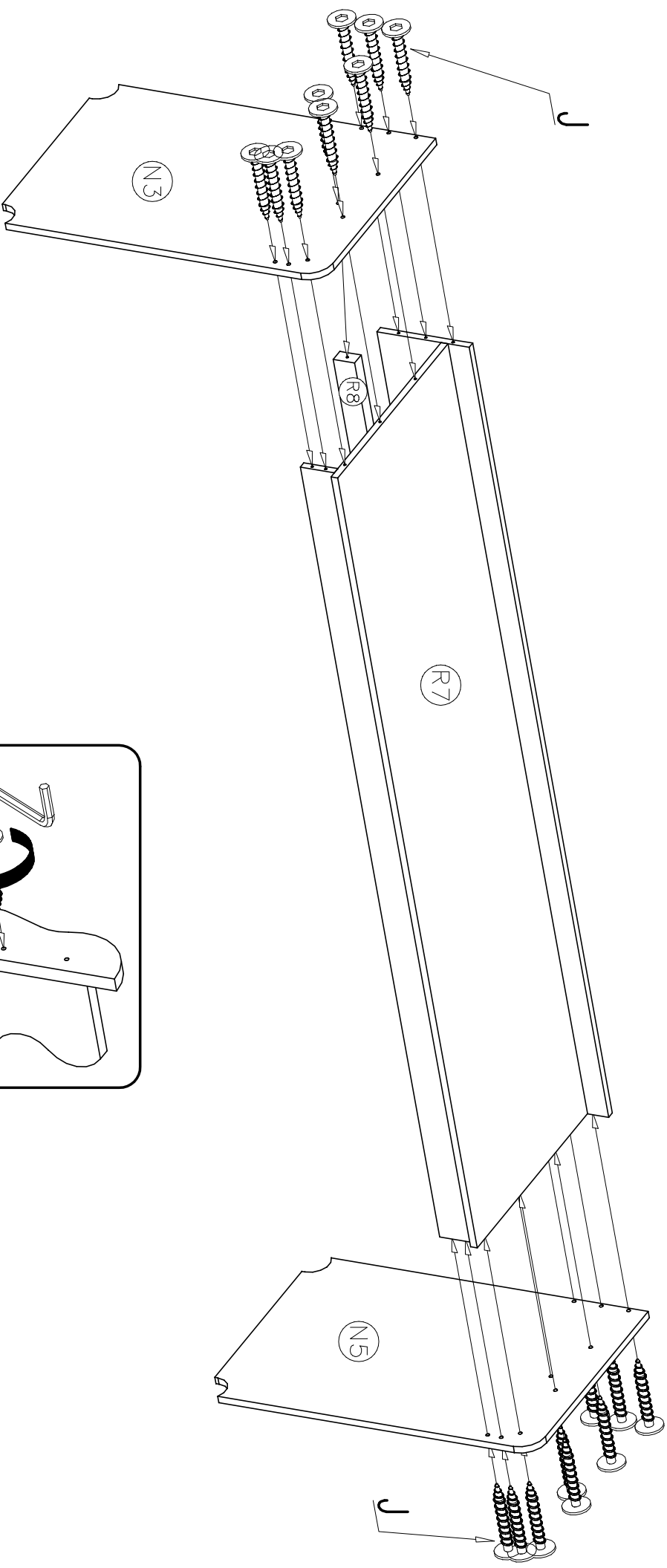
VII

- K5  4x
- K1  4x
ø15x12



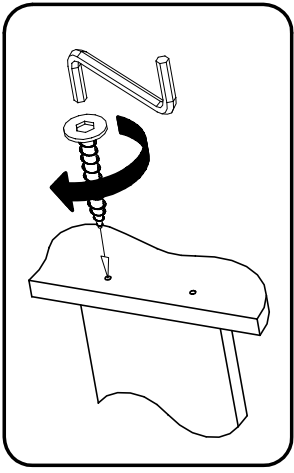


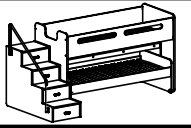
VIII



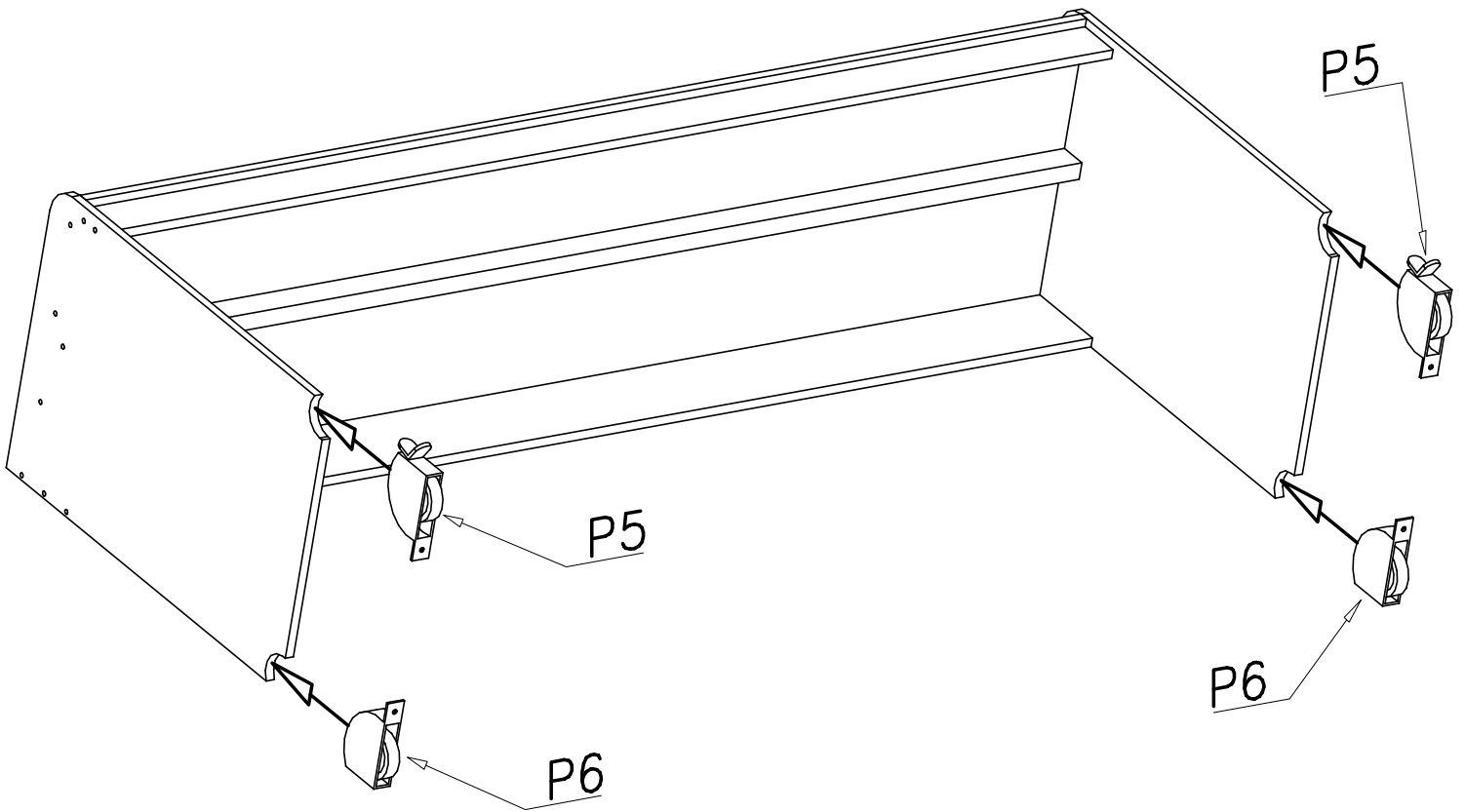
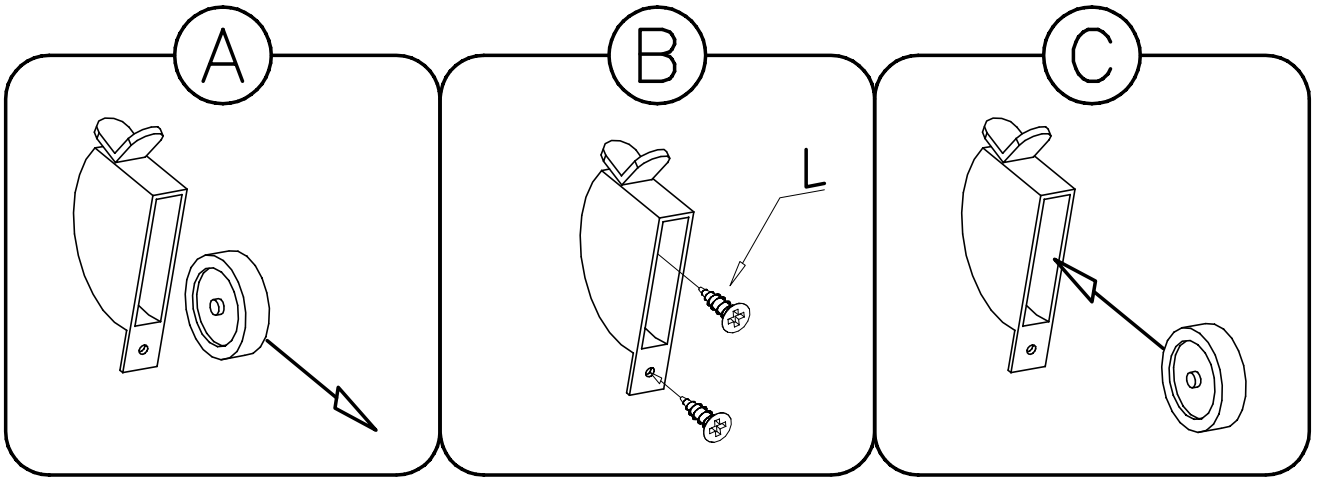
J 


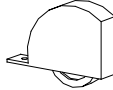
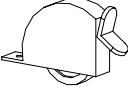
6x50 X18

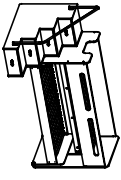




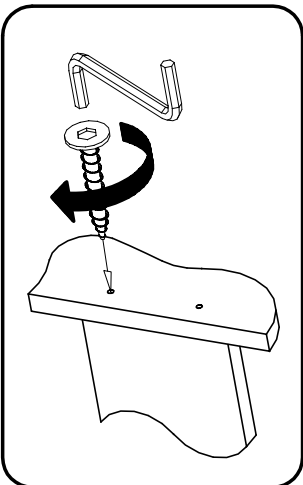
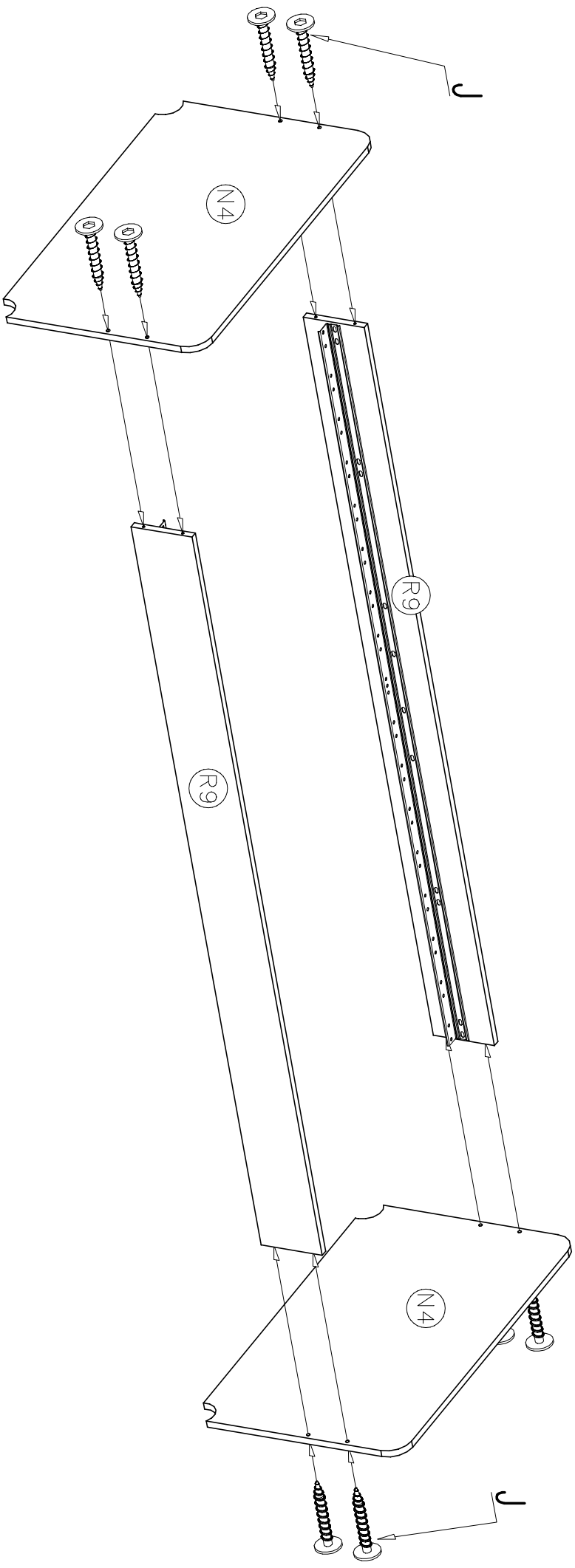
IX



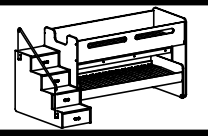
L		P6		P5	
4x16	x8	x2	x2	x2	x2



X

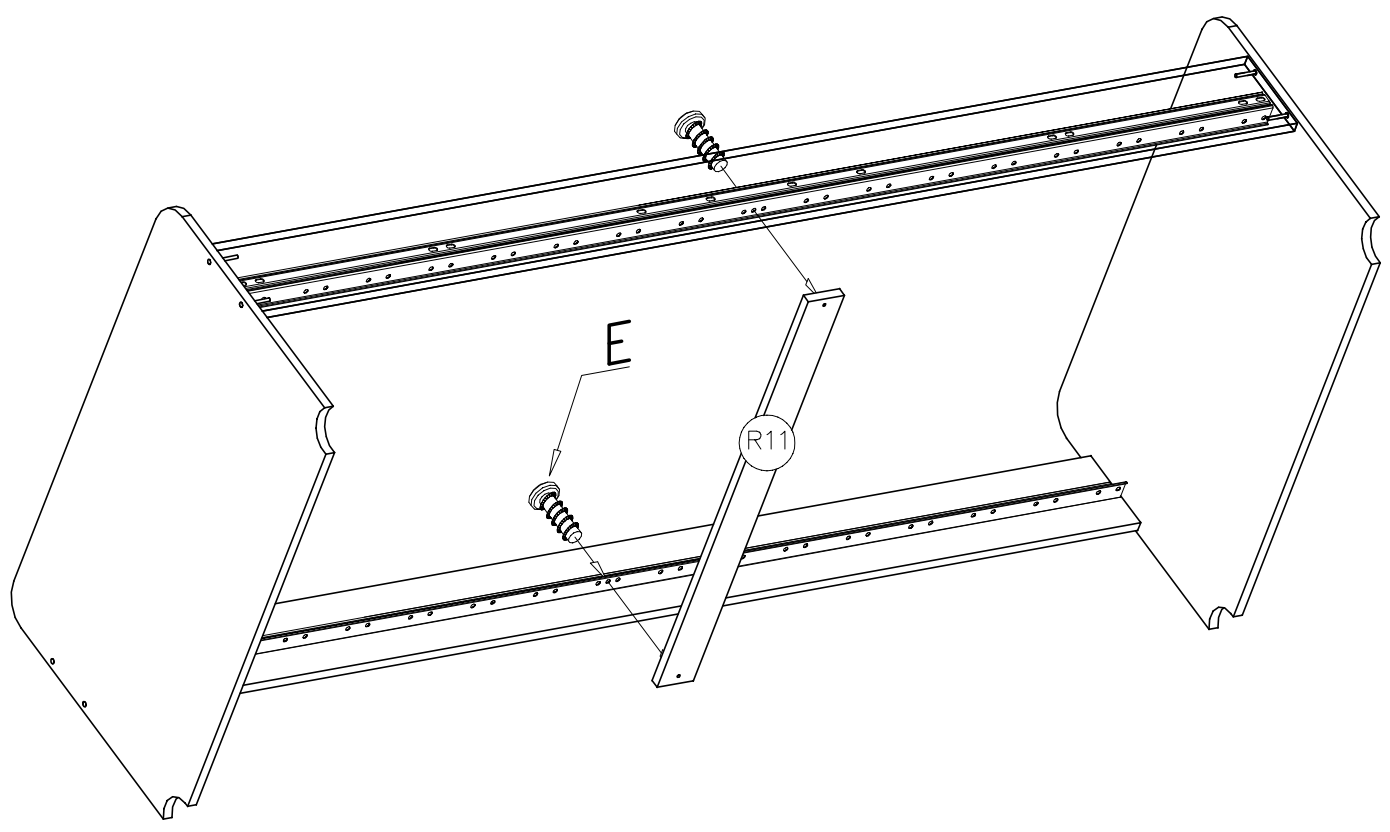


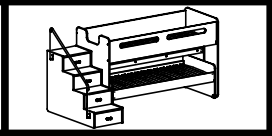
J
6x50
X8



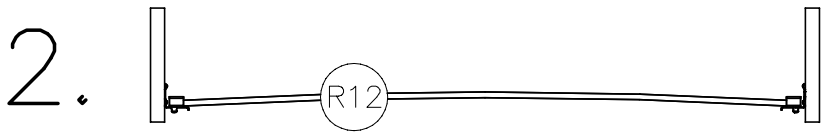
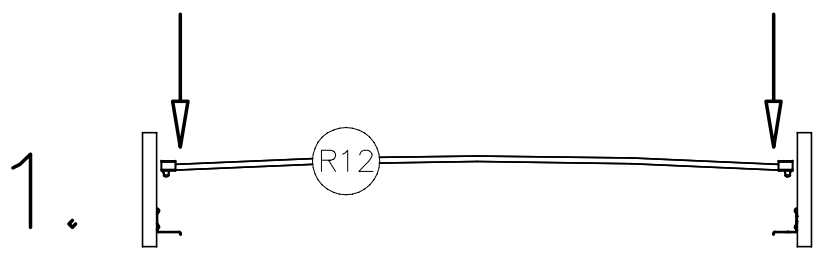
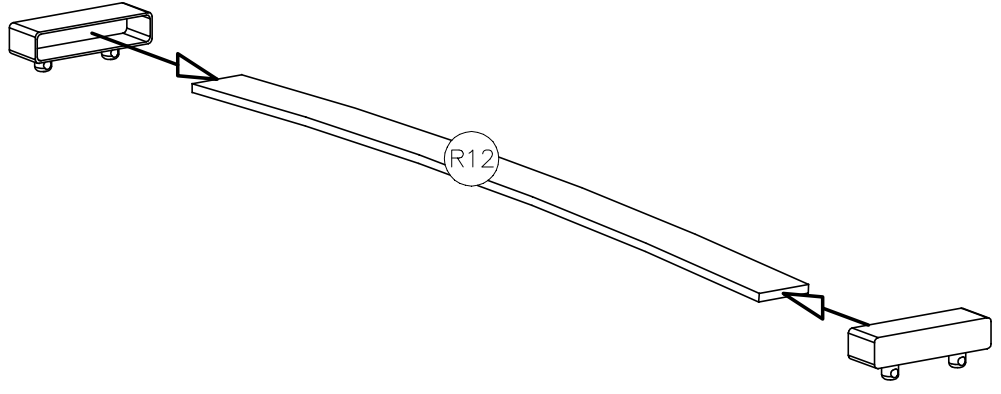
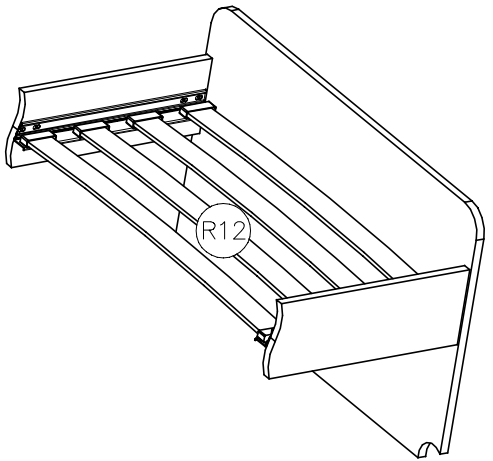
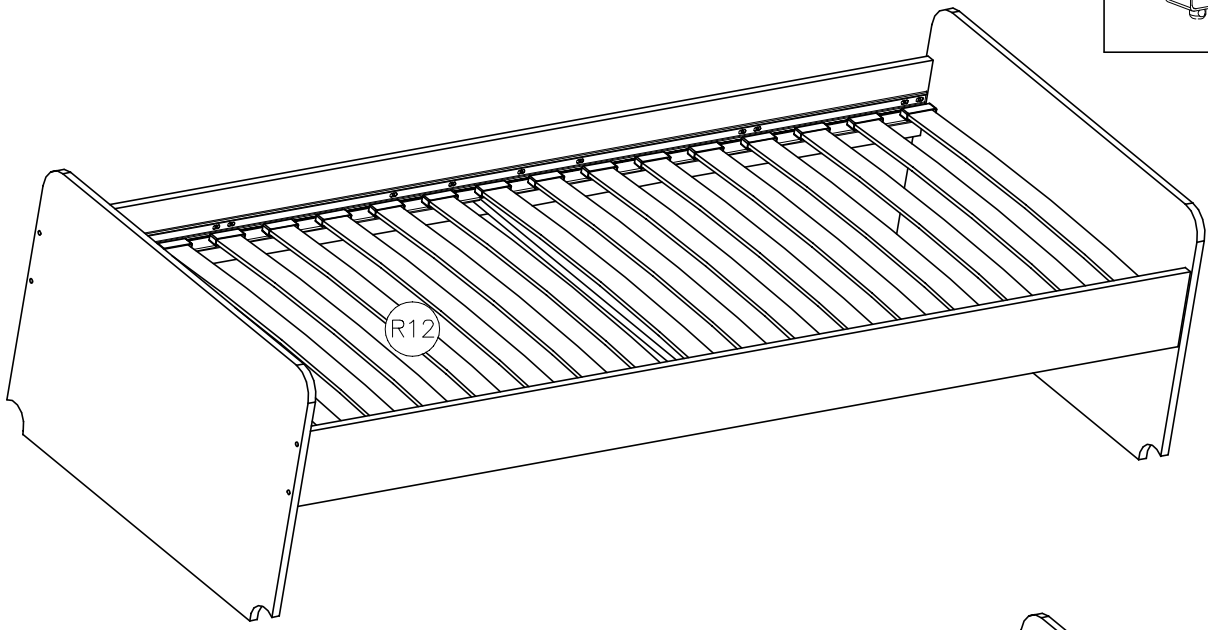
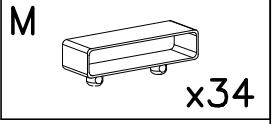
XI

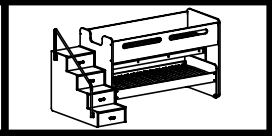
E
6x13 x2



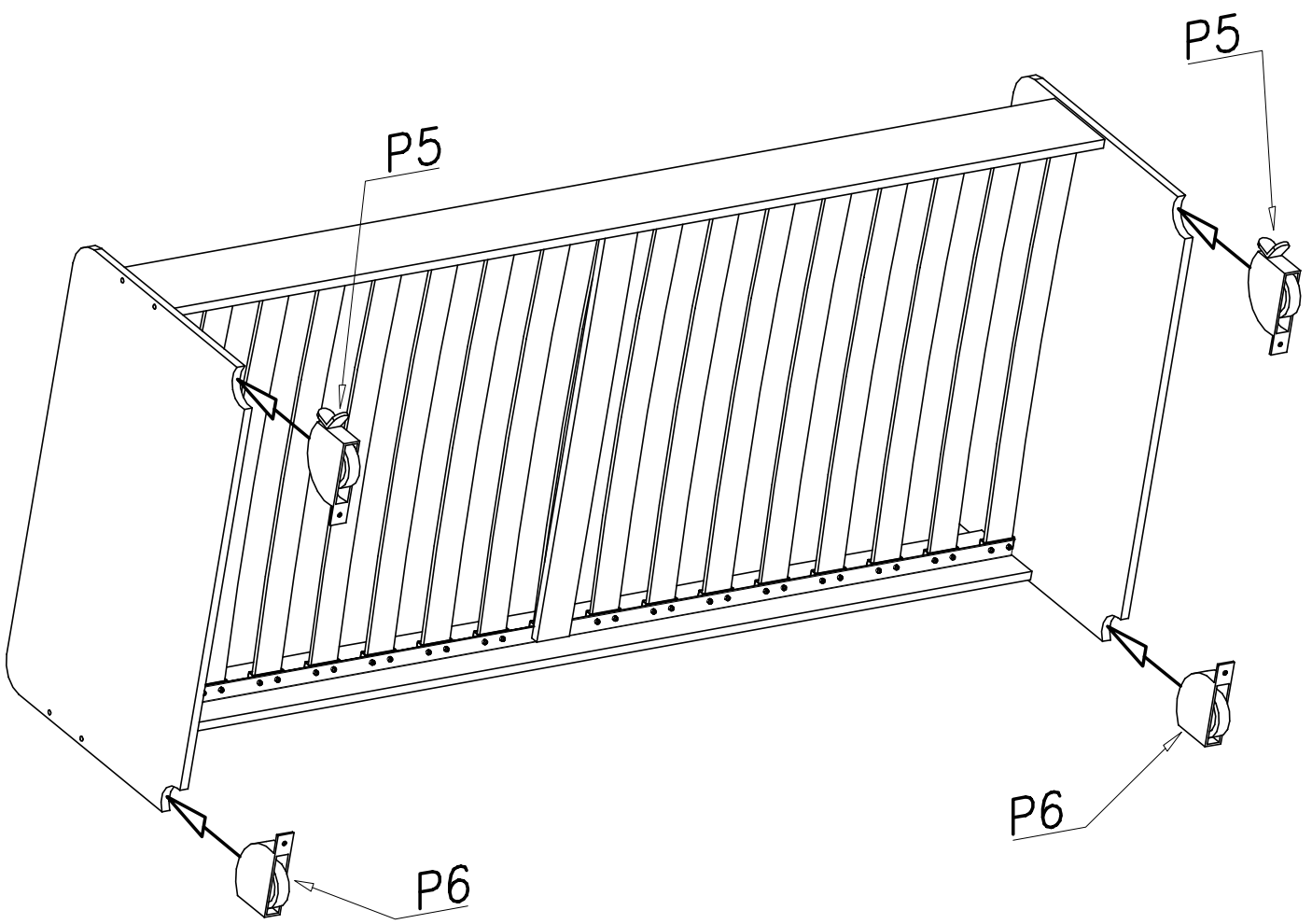
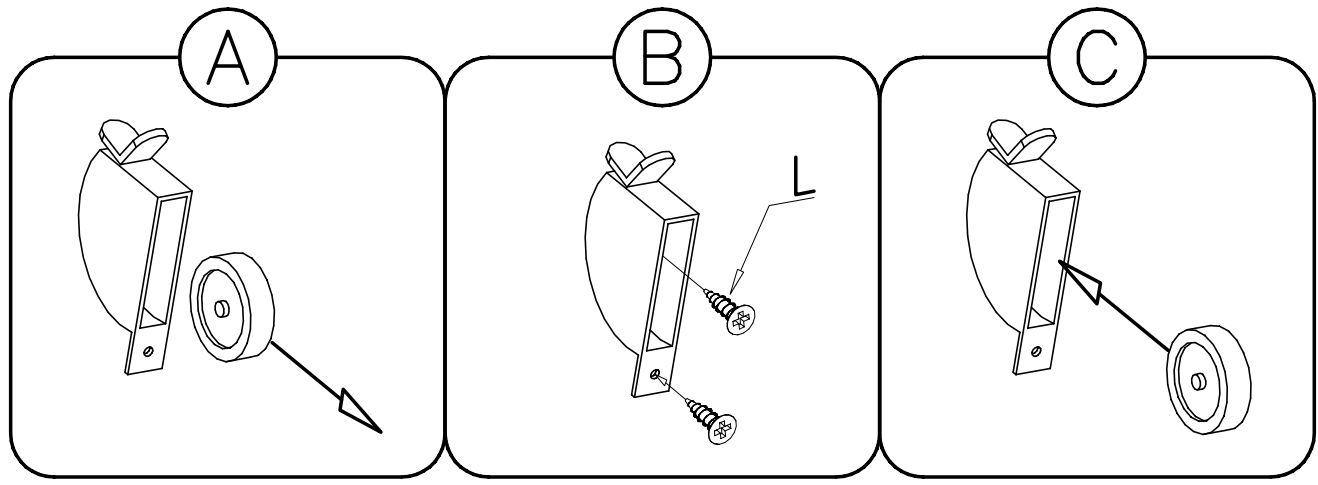


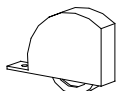
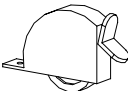
XII

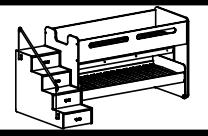




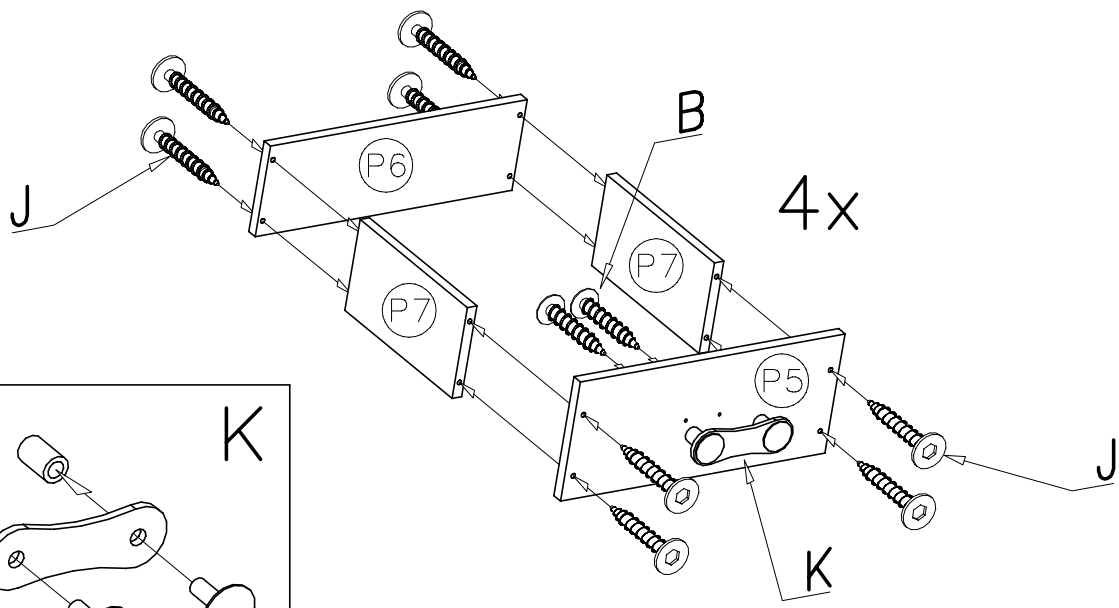
XIII

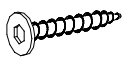


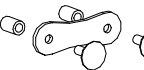
L 4x16 x8	P6  x2	P5  x2
-----------------	---	---

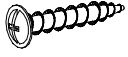


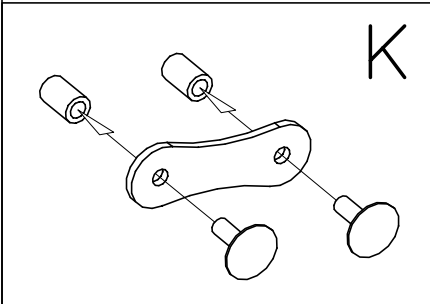
XIV



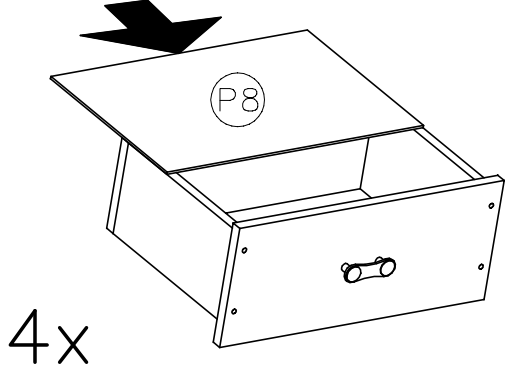
J  6x50 x32


K  x4

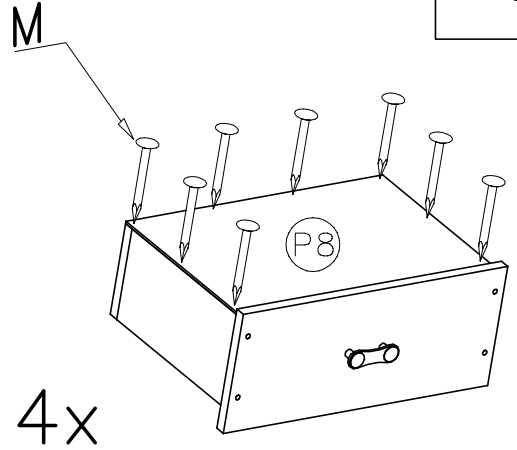
B  4x30 x8



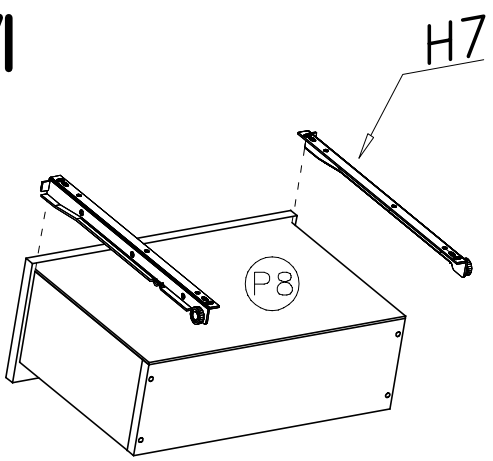
XV





M  x60

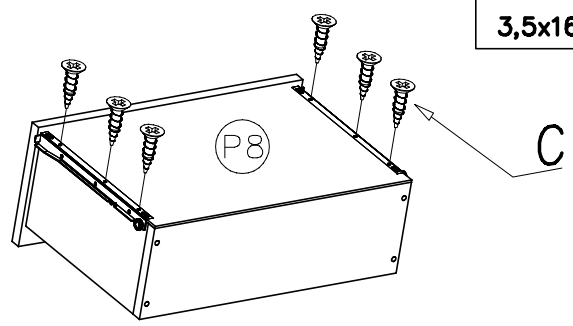


XVI



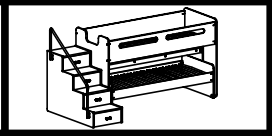
H7  300mm DL+DR x4

C  3,5x16 x24

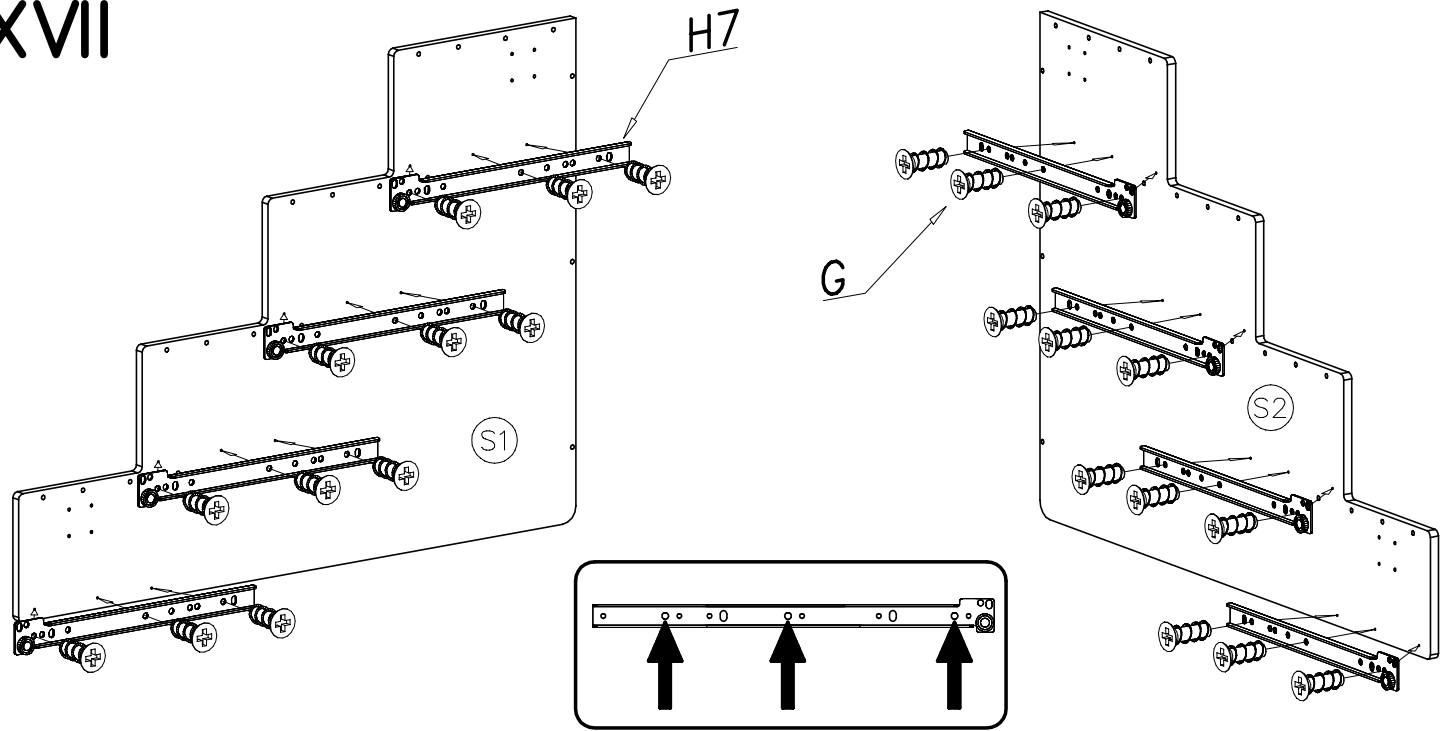


4x

4x

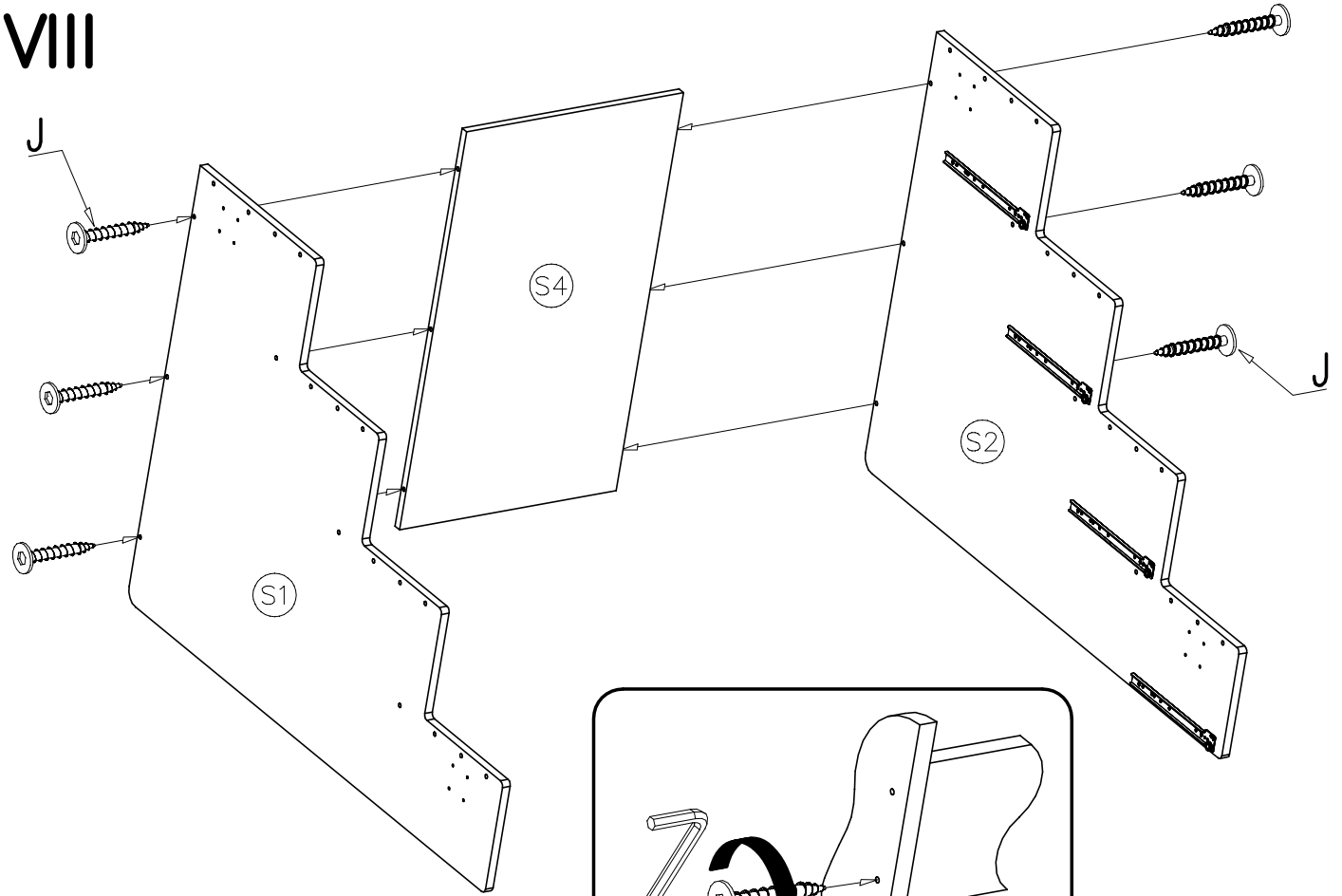


XVII

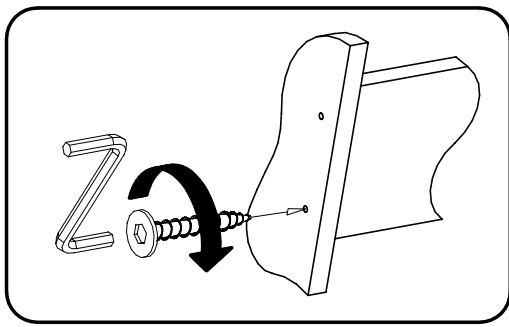


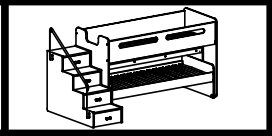
- | | | | |
|-------|-------|------|-----|
| H7 | 300mm | G | |
| CL+CR | x4 | 6x13 | x24 |

XVIII

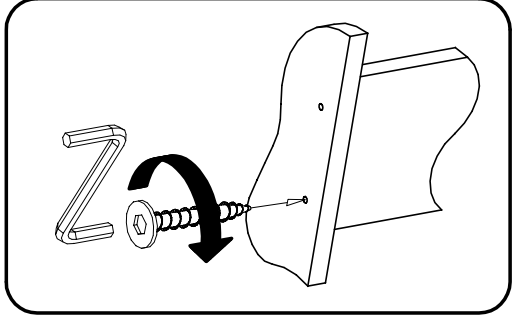
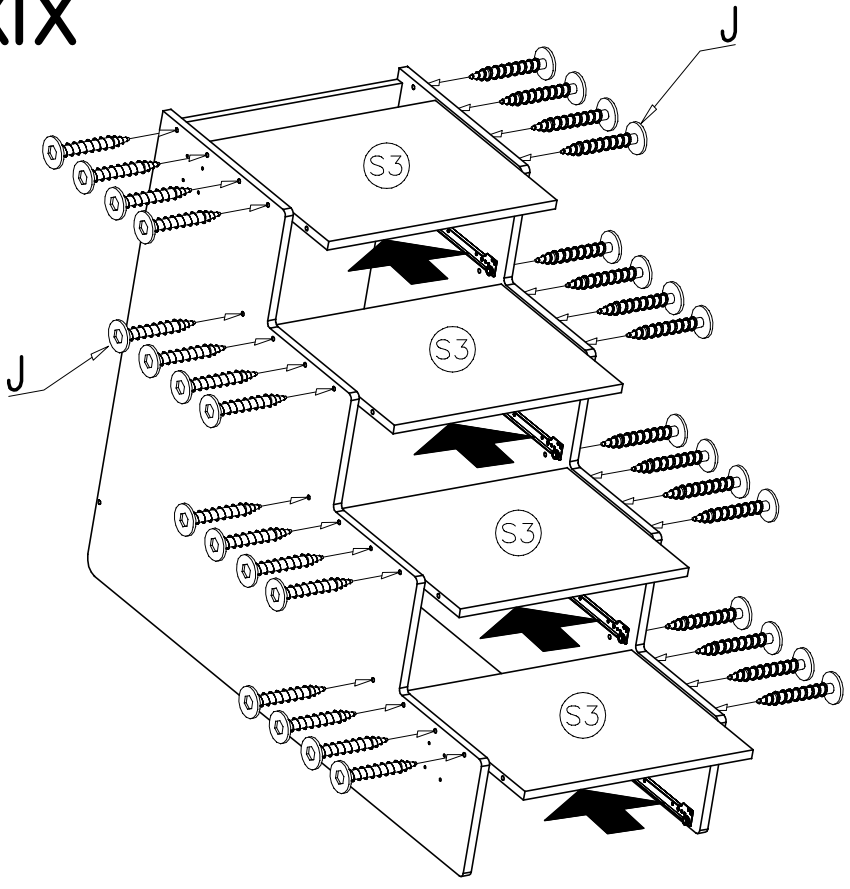



- | | |
|------|----|
| J | |
| 6x50 | x6 |



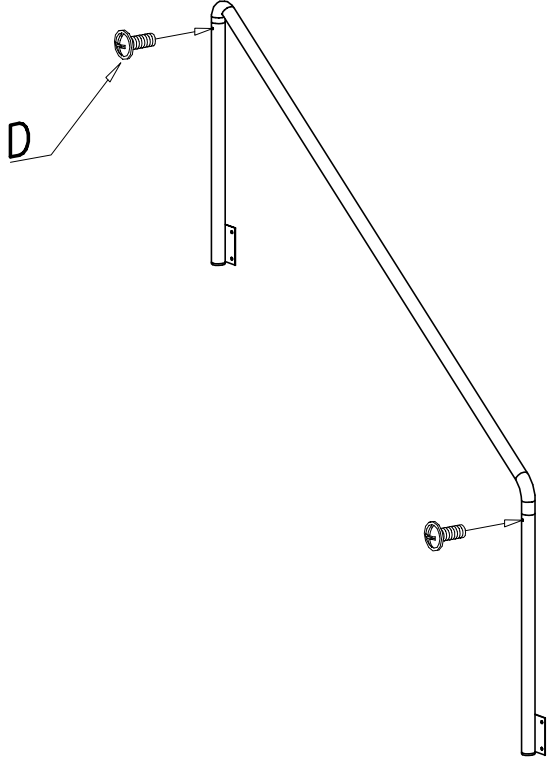
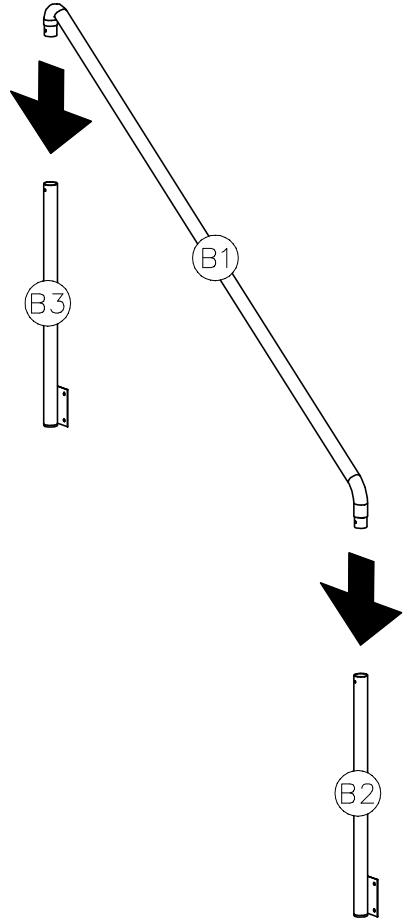



XIX

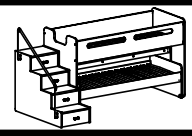


J 
6x50 x32

XX

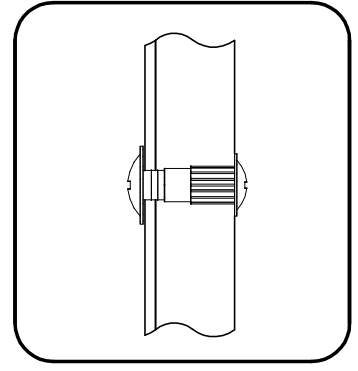
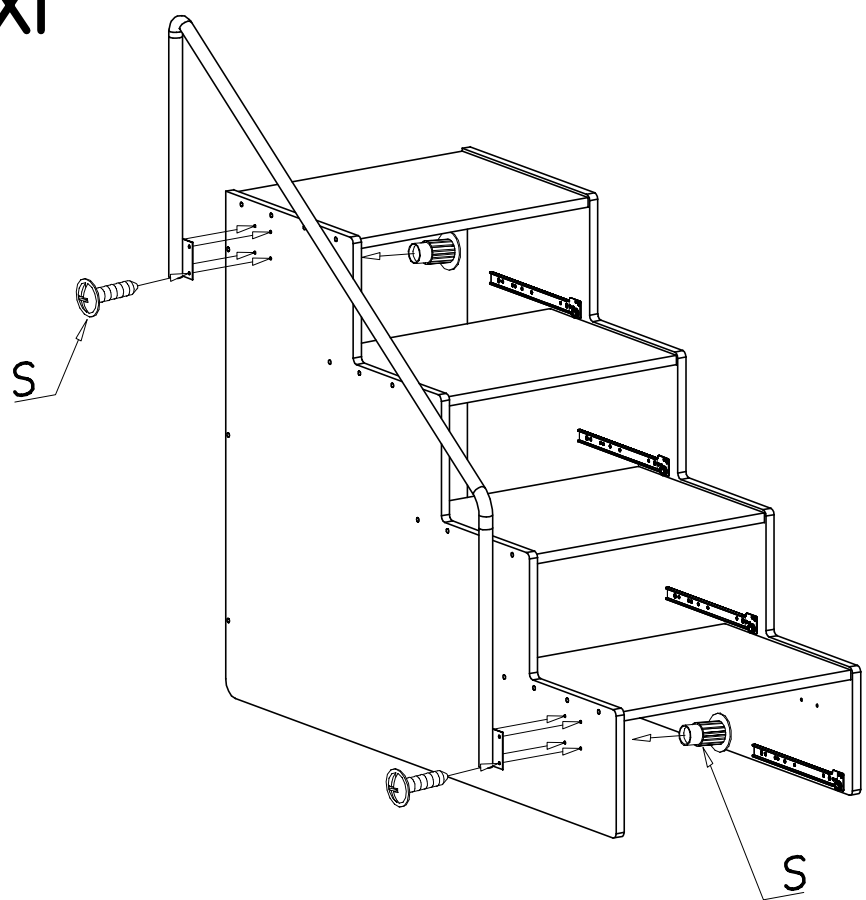


D 
M5x10 x2



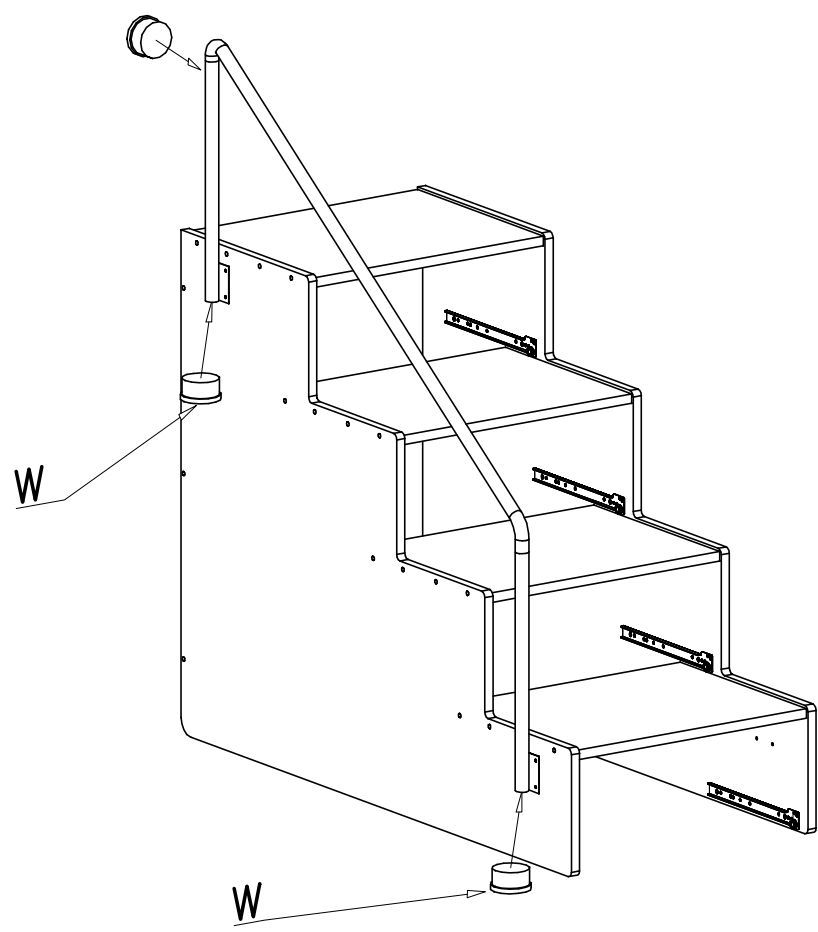
XXI

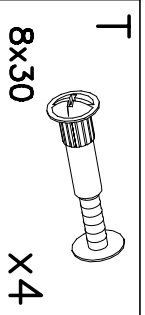
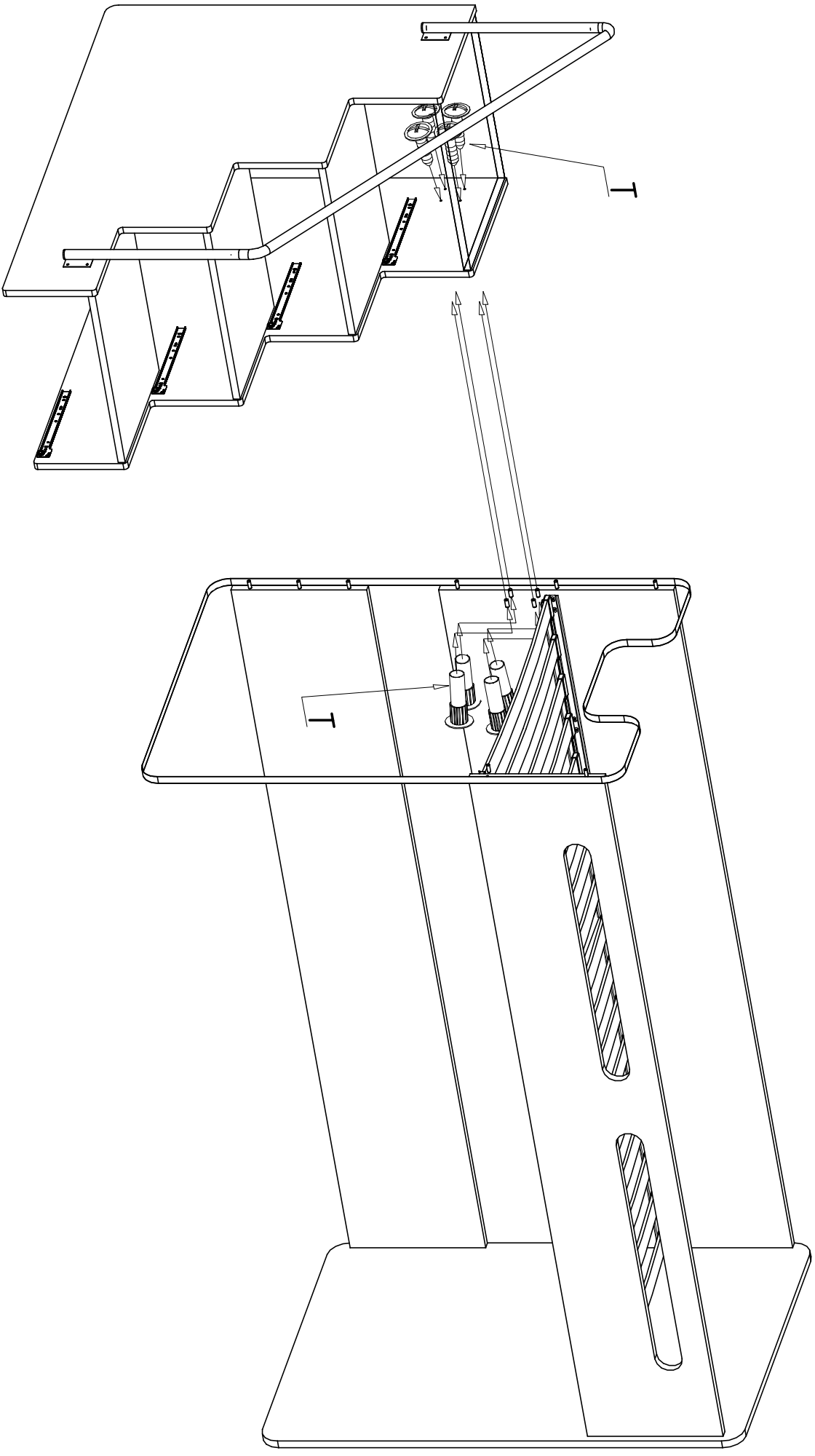
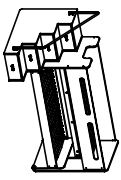
S
9x20 x8

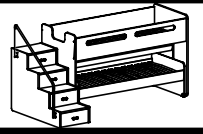


XXII

W
x3







XXIV

