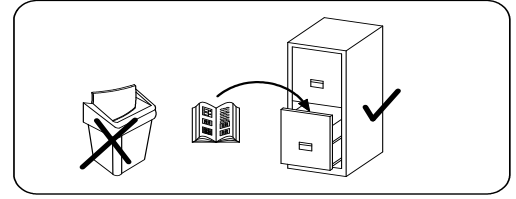
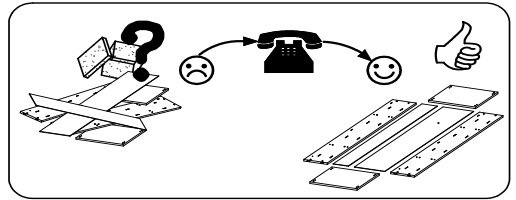
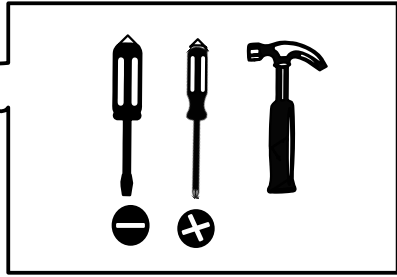
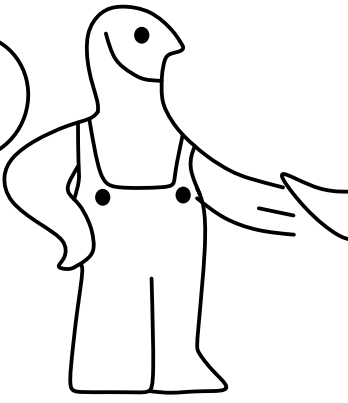
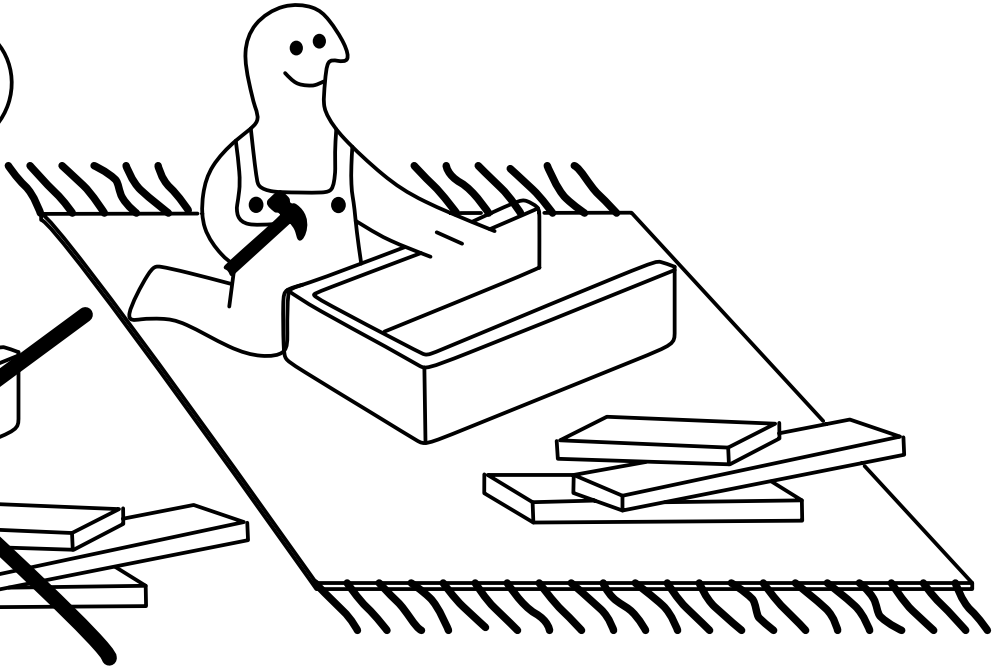
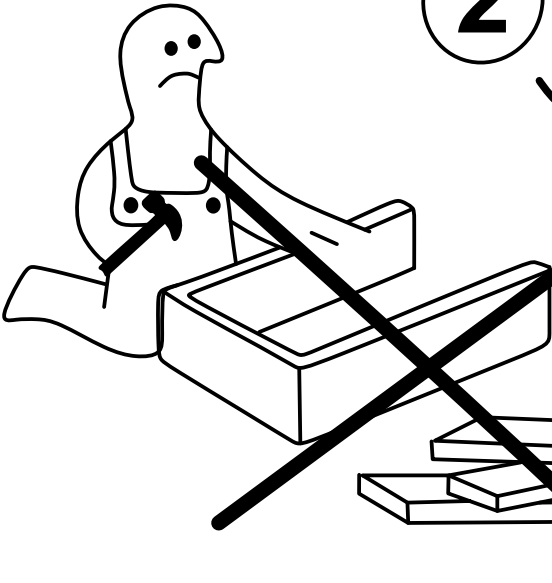


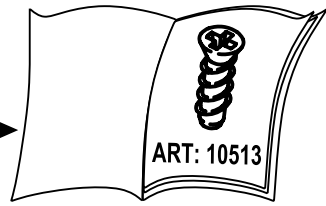
1



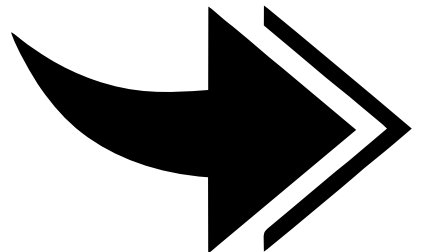
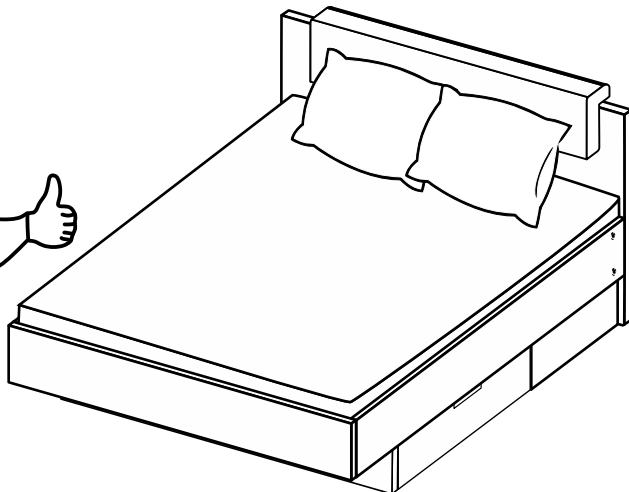
2

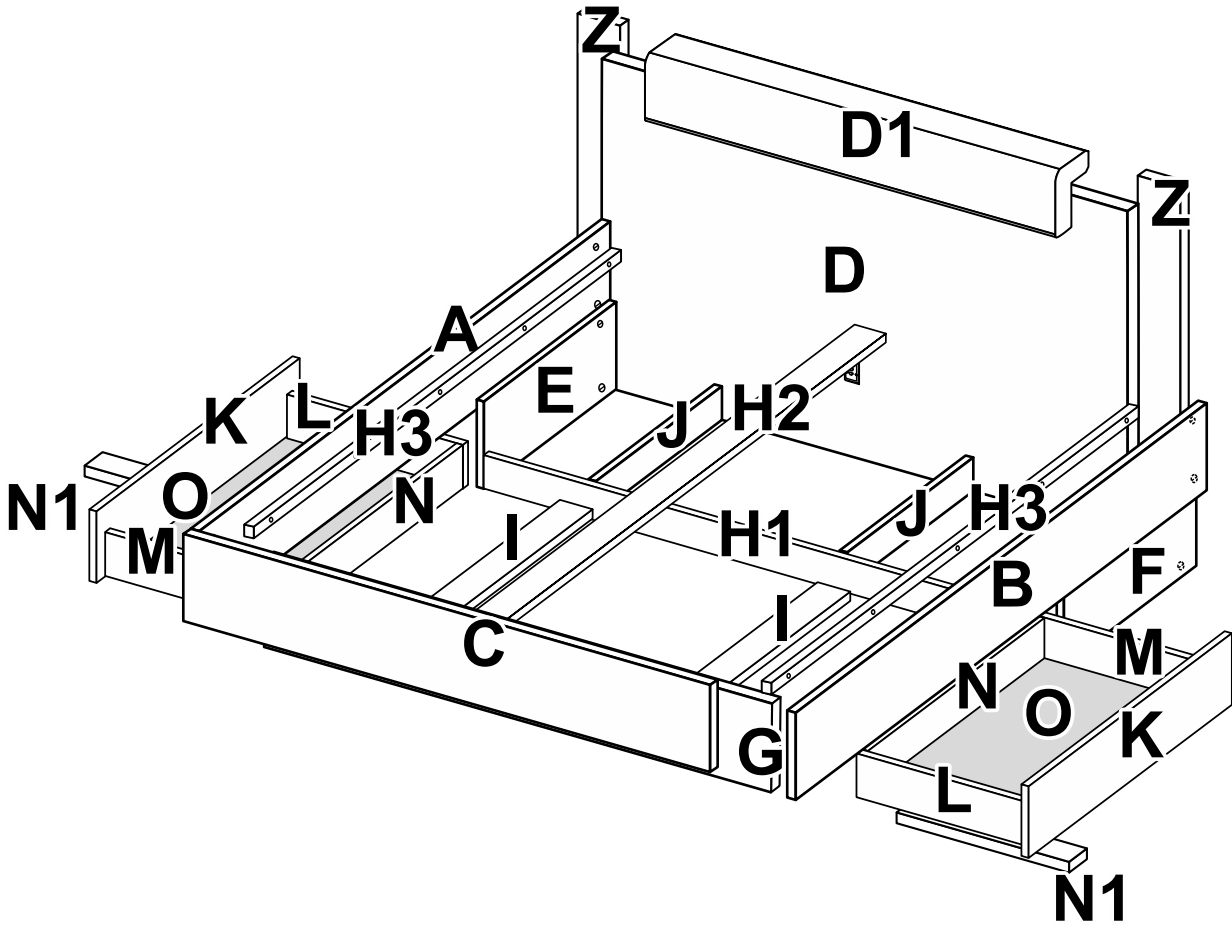


3



4



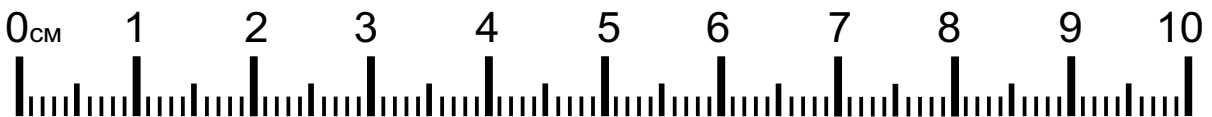


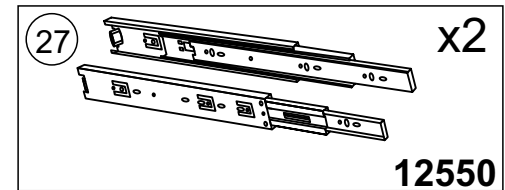
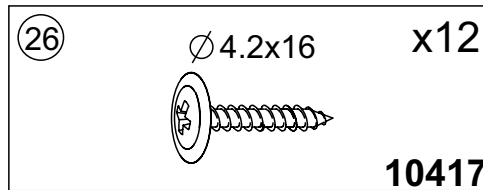
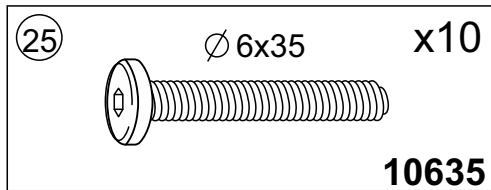
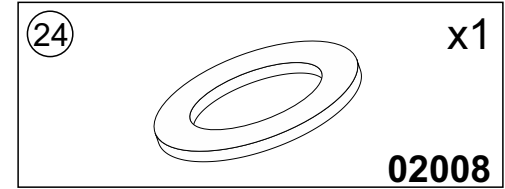
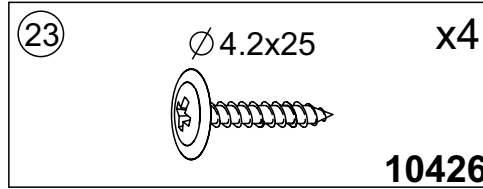
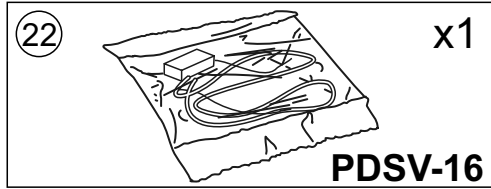
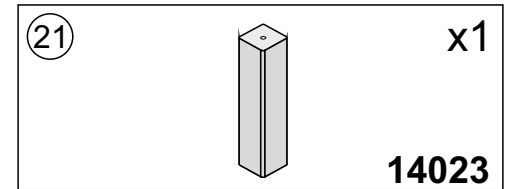
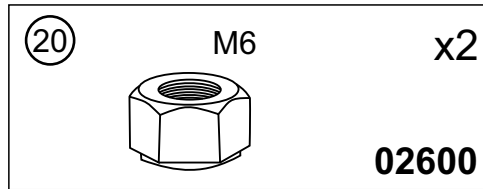
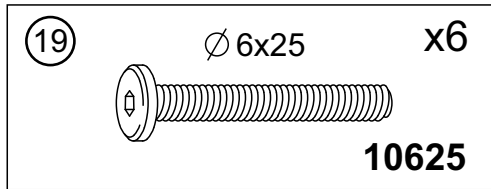
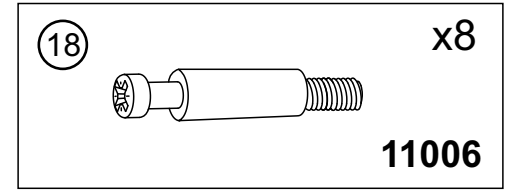
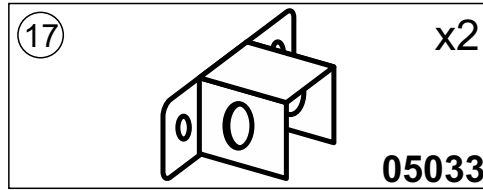
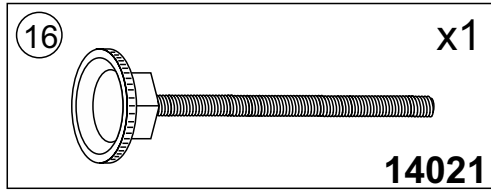
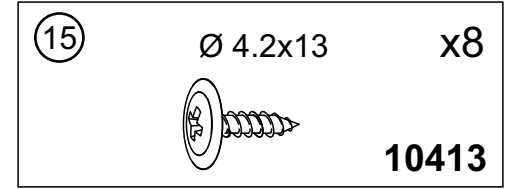
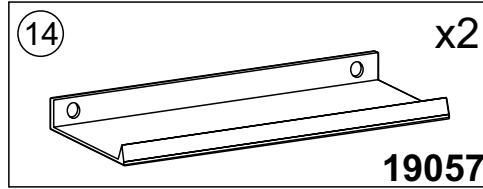
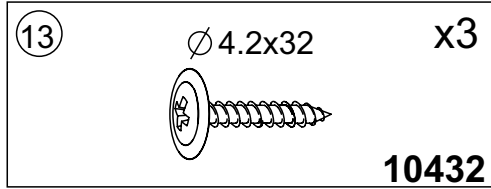
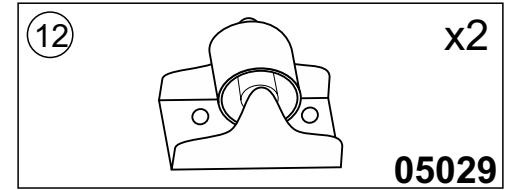
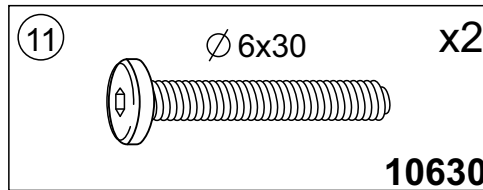
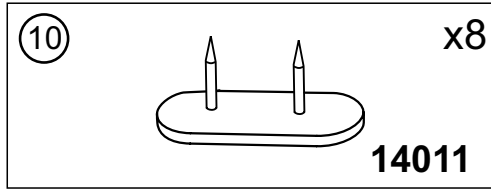
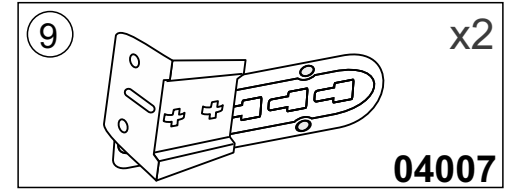
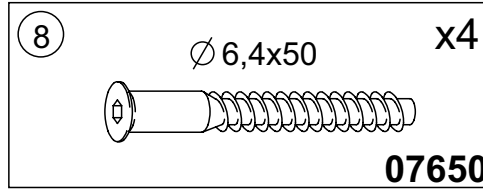
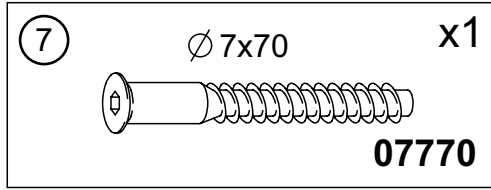
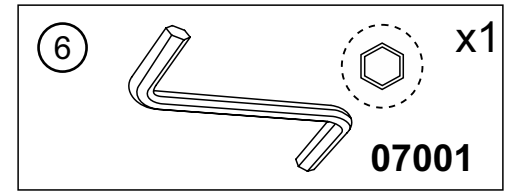
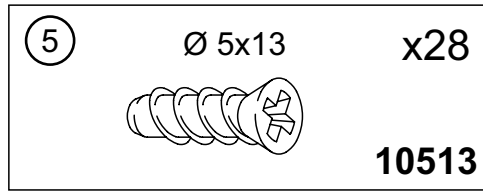
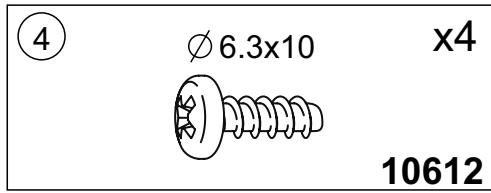
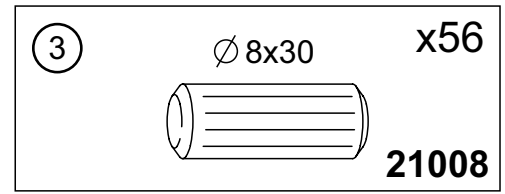
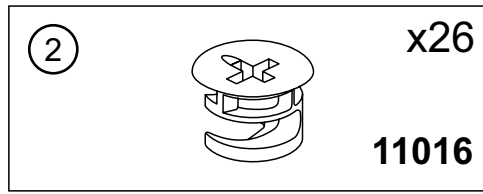
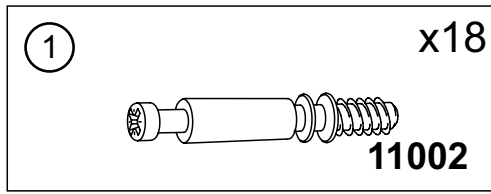
1.6 m

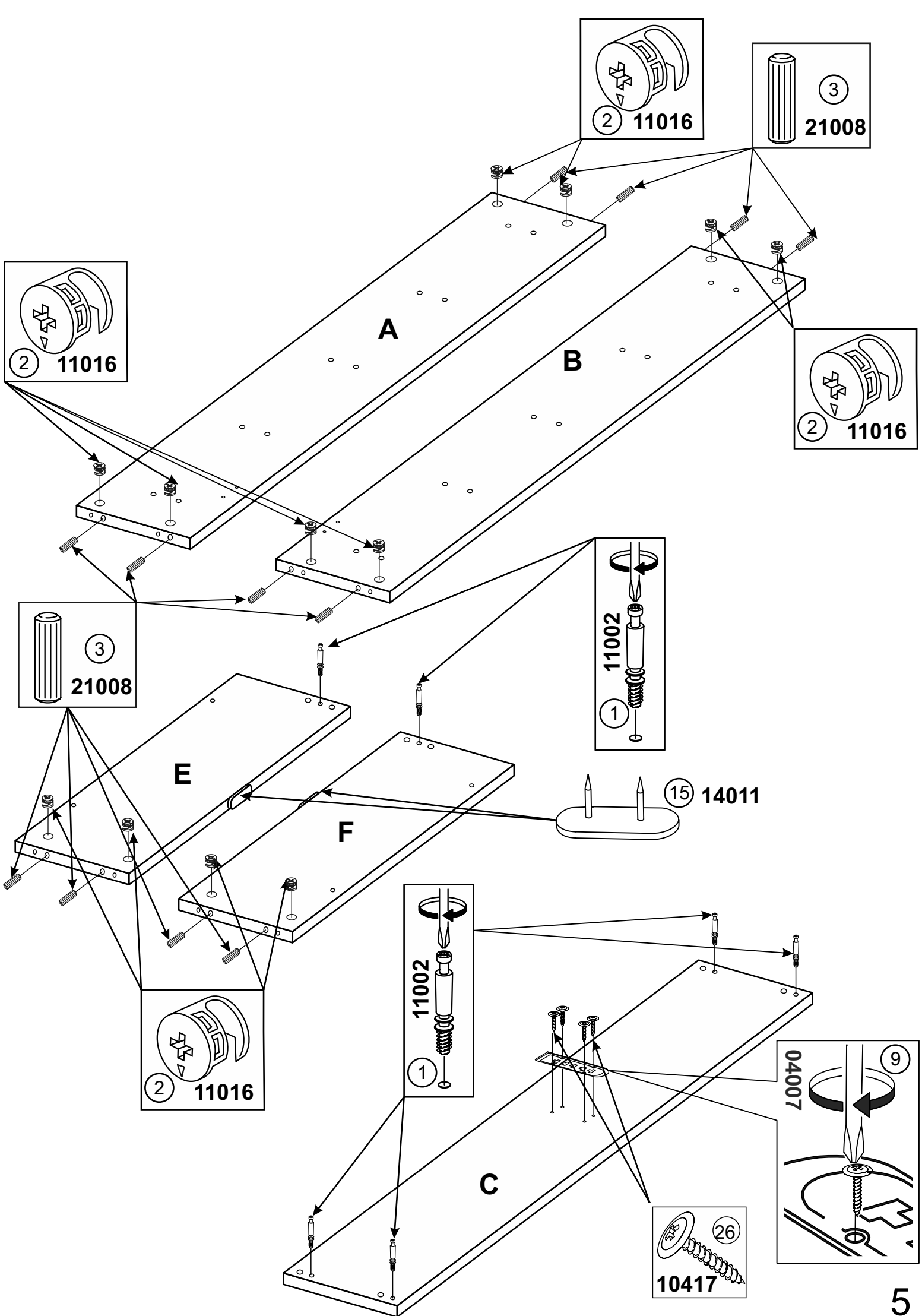
A	-	2020	x	230	x	16	-	x	1	3/4
B	-	2020	x	230	x	16	-	x	1	4/4
C	-	1644	x	230	x	16	-	x	1	4/4
D	-	1644	x	900	x	16	-	x	1	2/4
D1	-	1374	x	200	x	95	-	x	1	1/4
E	-	650	x	255	x	16	-	x	1	3/4
F	-	650	x	255	x	16	-	x	1	3/4
G	-	1610	x	270	x	16	-	x	1	3/4
H1	-	1578	x	128	x	16	-	x	1	3/4
H2	-	2007	x	70	x	25	-	x	1	4/4
H3	-	2006	x	30	x	25	-	x	2	4/4
I	-	1119	x	128	x	16	-	x	2	3/4
J	-	634	x	128	x	16	-	x	2	4/4
K	-	1113	x	225	x	16	-	x	2	4/4
L	-	600	x	136	x	16	-	x	2	1/4
M	-	600	x	136	x	16	-	x	2	3/4
N	-	1063	x	136	x	16	-	x	2	3/4
N1	-	584	x	80	x	16	-	x	2	3/4
O	-	596	x	1074	x	3	-	x	2	2/4
Z	-	900	x	120	x	16	-	x	2	1/4

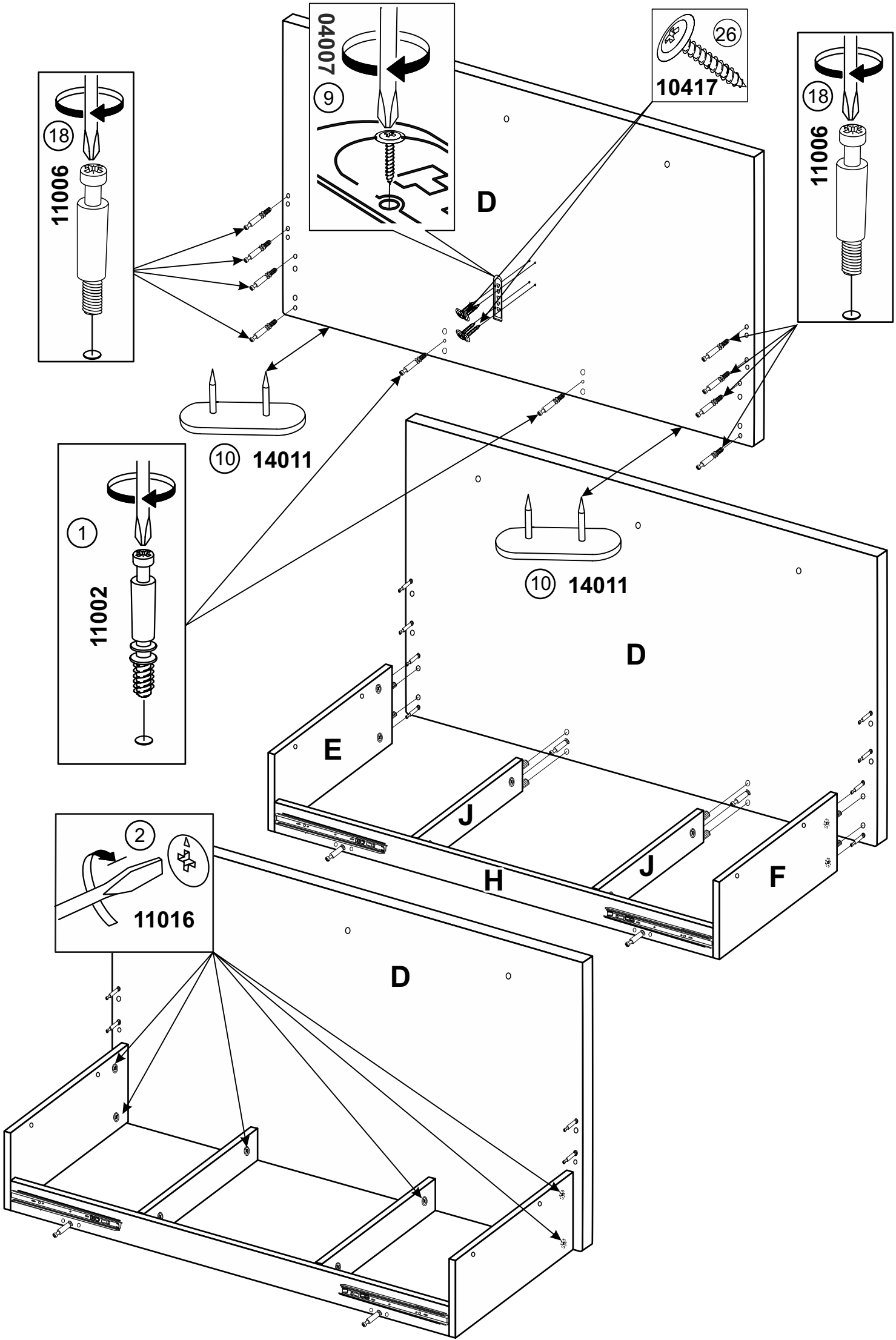
1.8 m

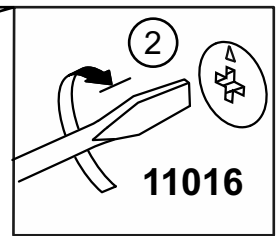
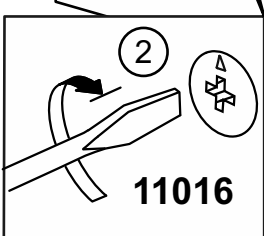
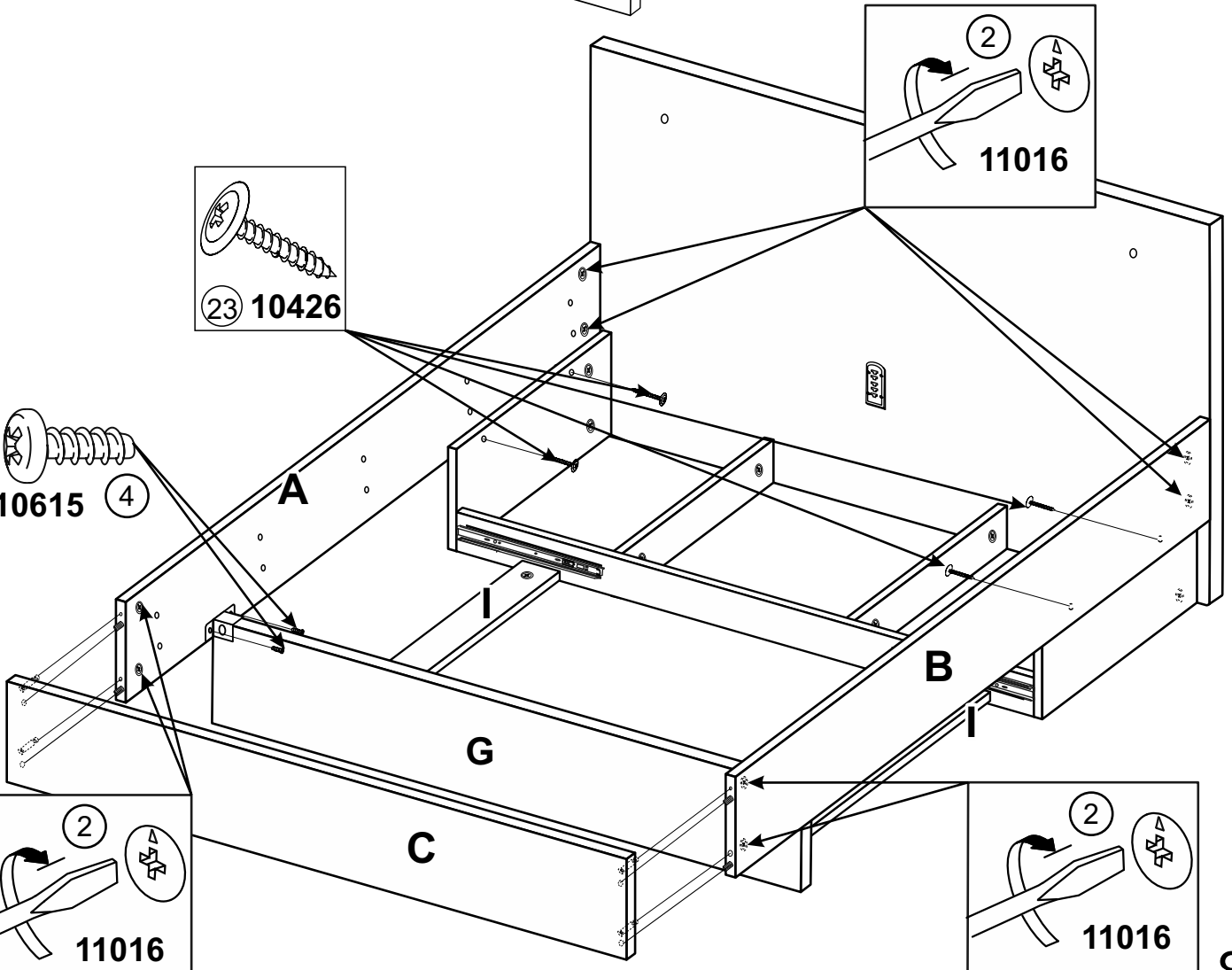
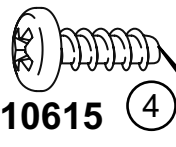
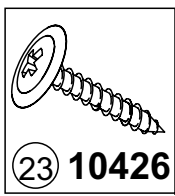
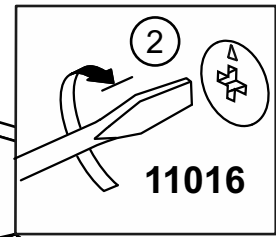
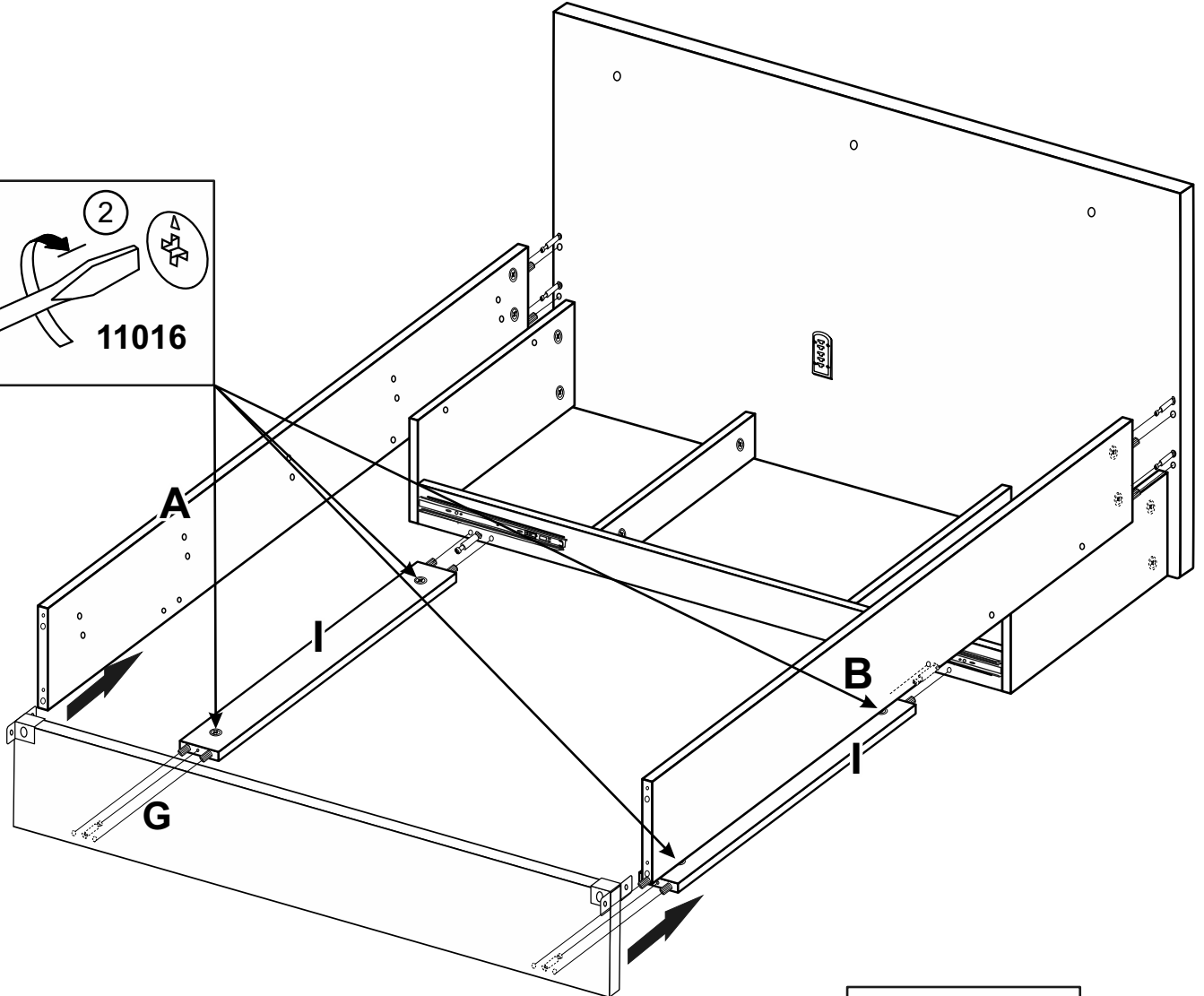
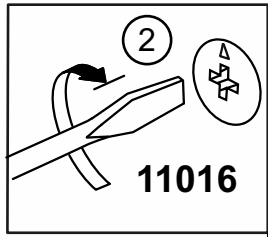
A	-	2020	x	230	x	16	-	x	1	3/4
B	-	2020	x	230	x	16	-	x	1	4/4
C	-	1844	x	230	x	16	-	x	1	4/4
D	-	1844	x	900	x	16	-	x	1	2/4
D1	-	1574	x	200	x	95	-	x	1	1/4
E	-	650	x	255	x	16	-	x	1	3/4
F	-	650	x	255	x	16	-	x	1	3/4
G	-	1810	x	270	x	16	-	x	1	3/4
H1	-	1778	x	128	x	16	-	x	1	3/4
H2	-	2007	x	70	x	25	-	x	1	4/4
H3	-	2006	x	30	x	25	-	x	2	4/4
I	-	1119	x	128	x	16	-	x	2	3/4
J	-	634	x	128	x	16	-	x	2	4/4
K	-	1113	x	225	x	16	-	x	2	4/4
L	-	600	x	136	x	16	-	x	2	1/4
M	-	600	x	136	x	16	-	x	2	3/4
N	-	1063	x	136	x	16	-	x	2	3/4
N1	-	584	x	80	x	16	-	x	2	3/4
O	-	596	x	1074	x	3	-	x	2	2/4
Z	-	900	x	120	x	16	-	x	2	1/4

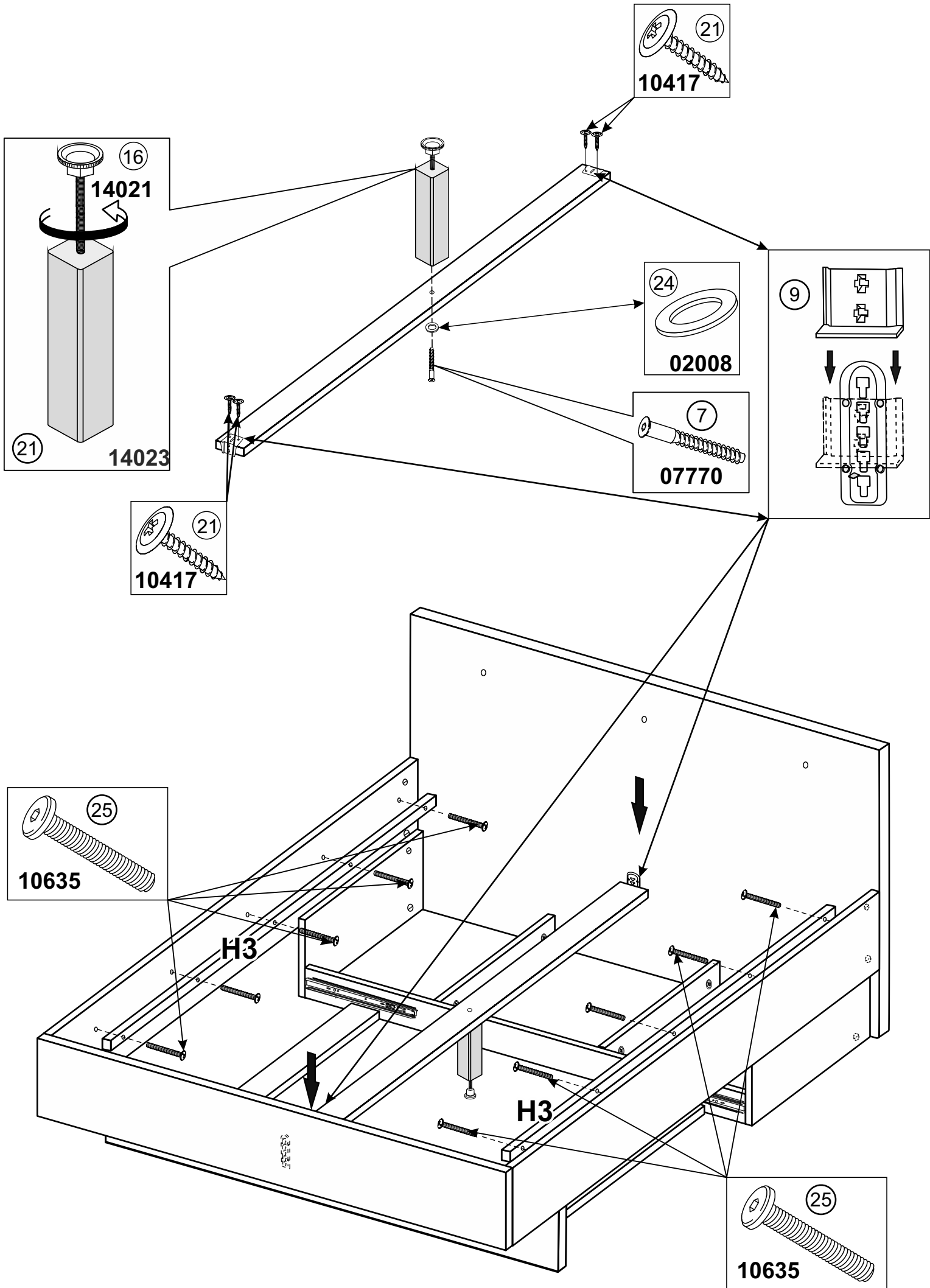


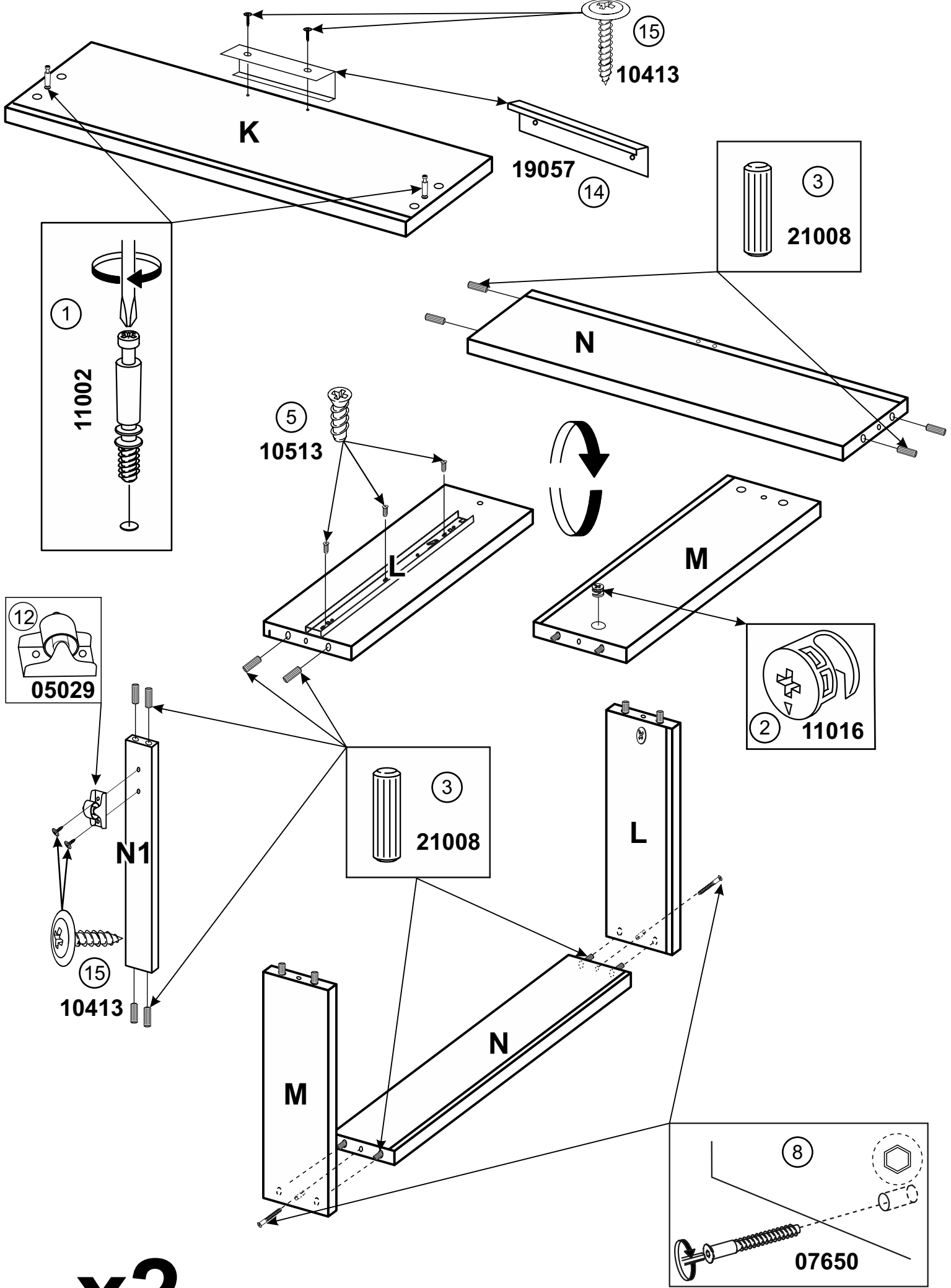




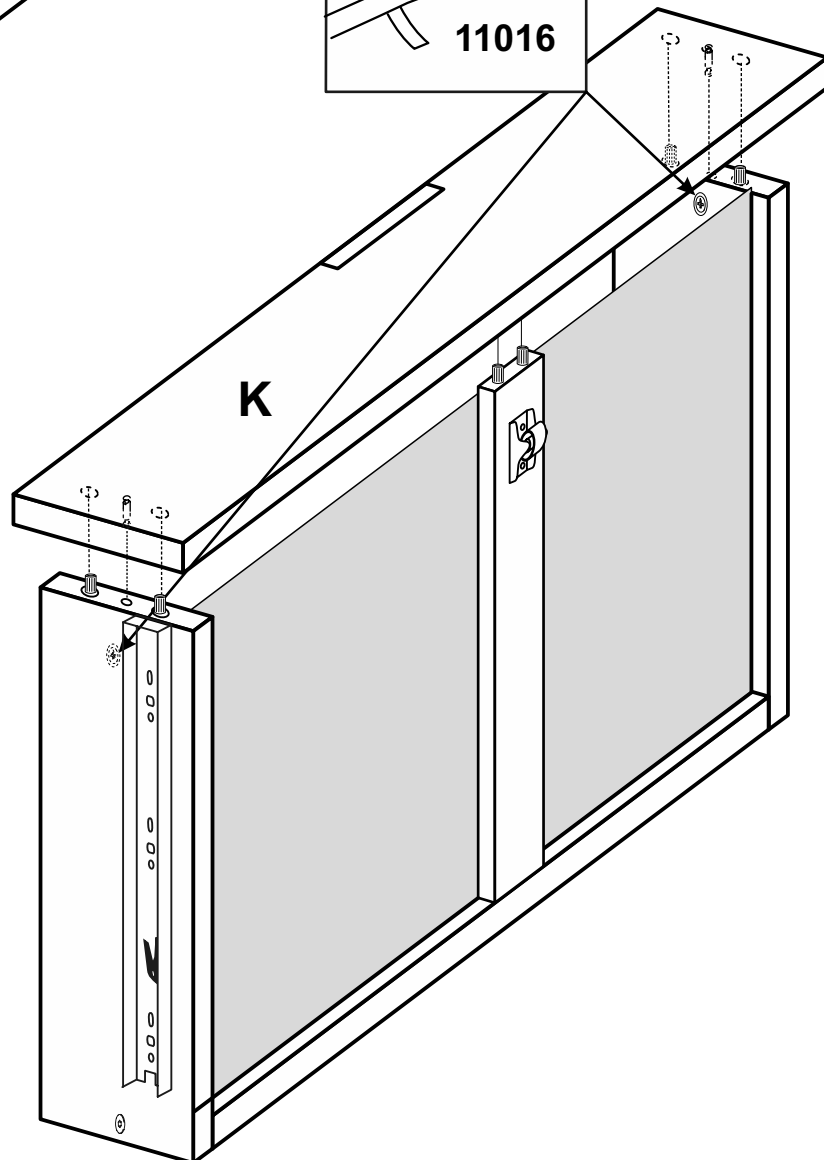
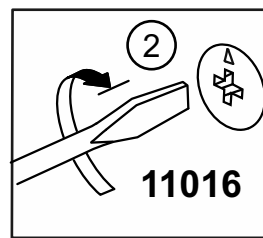
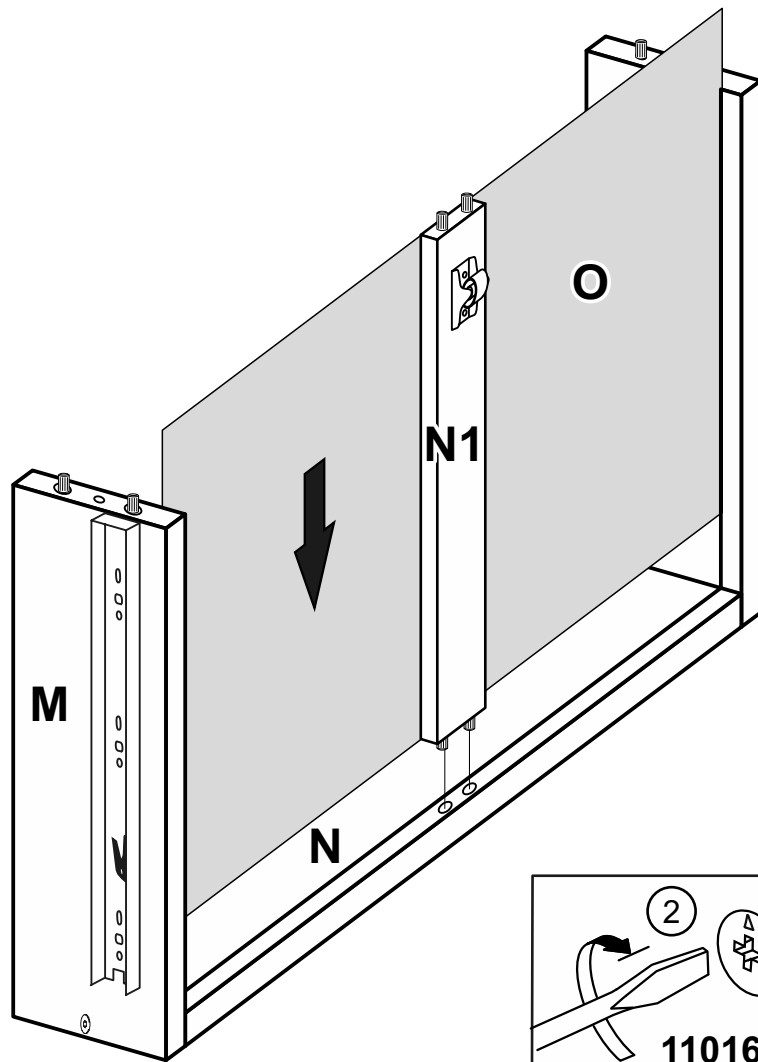




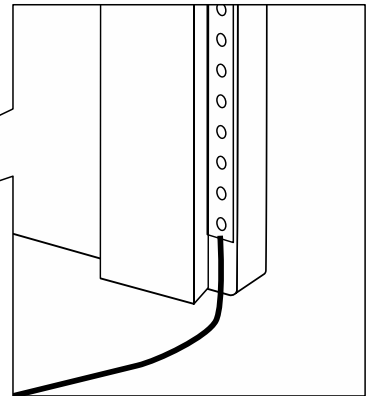
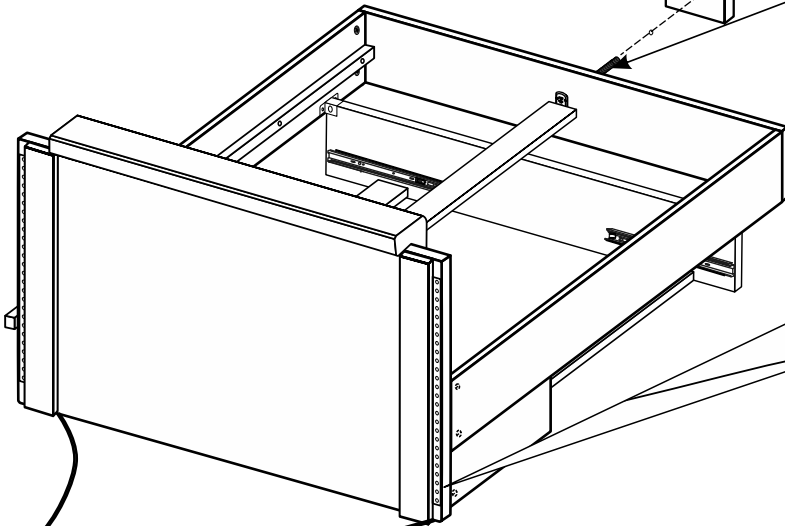
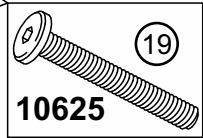
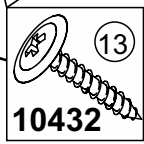
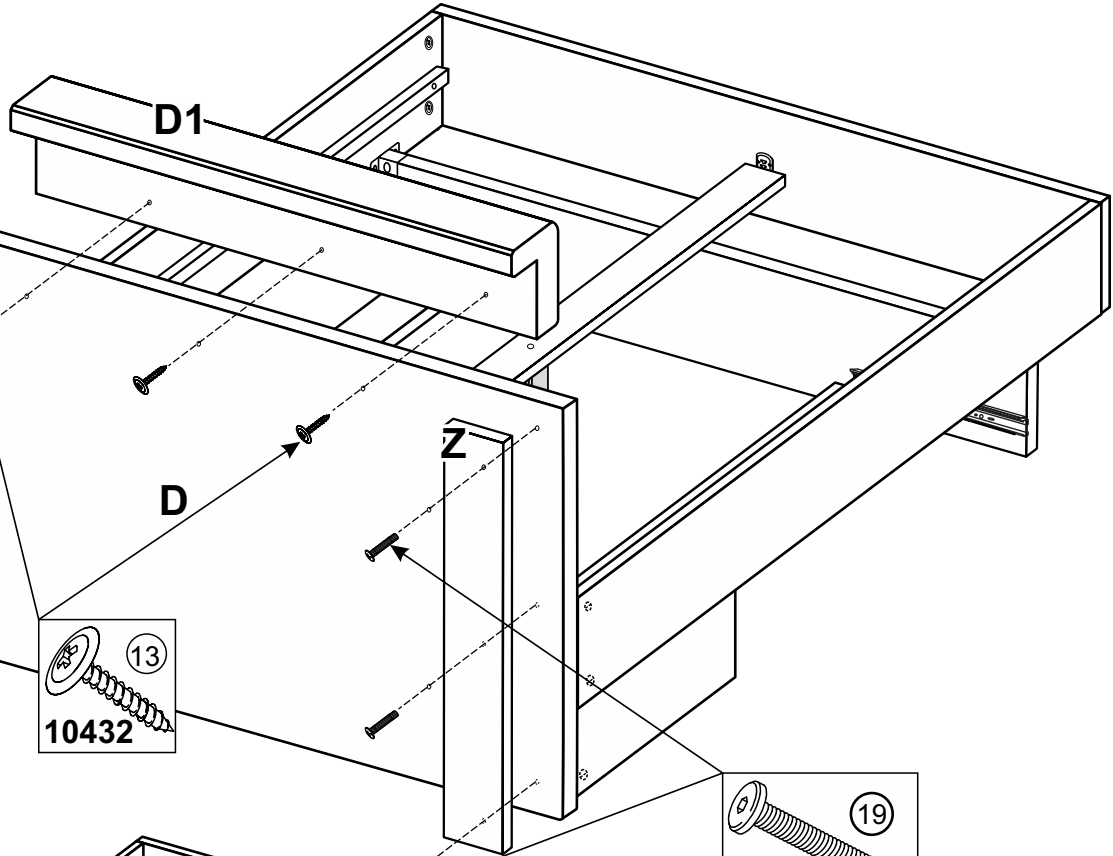
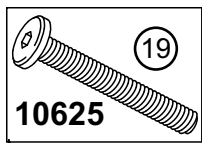




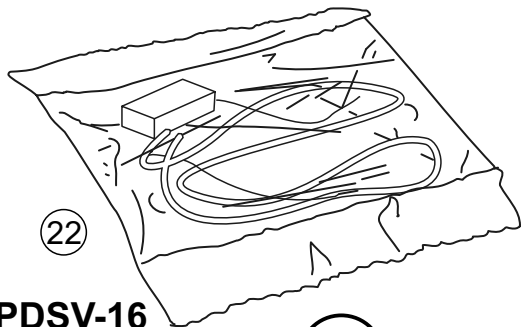
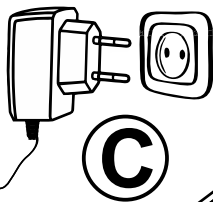
x2



x2



B



A

