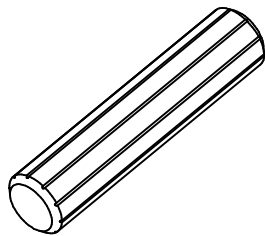
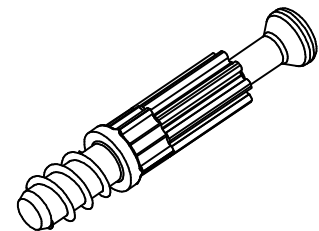


	Kód	Ks	Balení
1	430	1	3
2	431	1	3
3	432	1	2
4	130	2	1
5	230	1	1
6	231	1	1
7	030	2	3
8	530	4	1
9	630	1	4
10	631	1	4
11	730	4	2
12	380	4	1
13	381	4	1
14	382	4	1
15	055	4	3
16	031	2	3
17	632	1	2

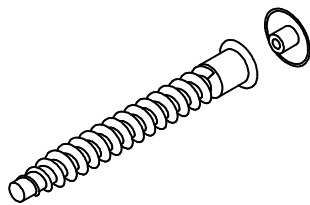
A x52
(8x36)



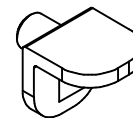
B x16



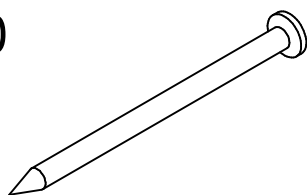
D x4



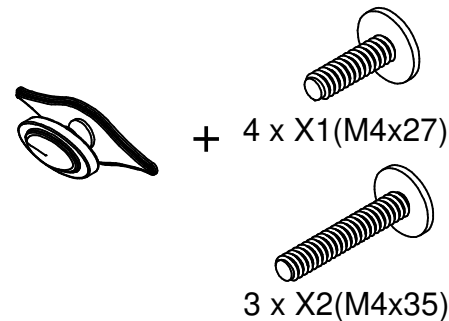
E x16



G x140



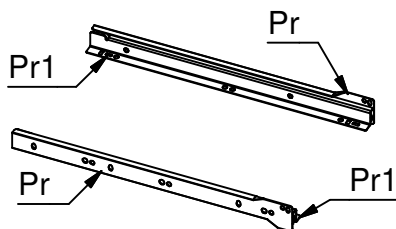
M x7



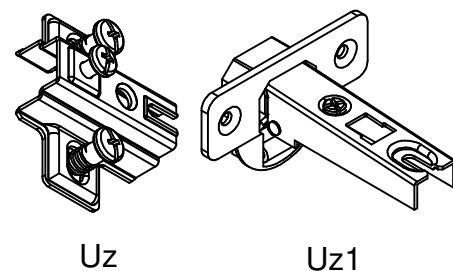
+ 4 x X1(M4x27)

3 x X2(M4x35)

P x4



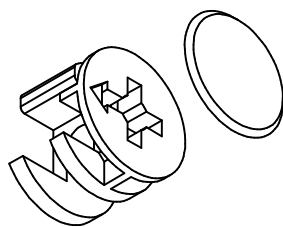
U x6



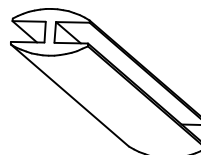
Uz

Uz1

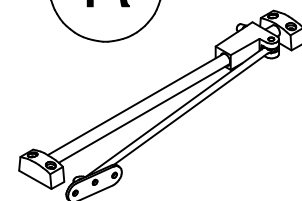
C x16
(Ø15x12)



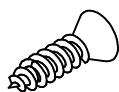
H x1



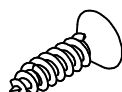
R x1



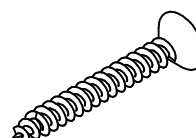
W1 x19
(3,5x13)



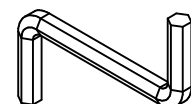
W2 x12
(3,5x16)

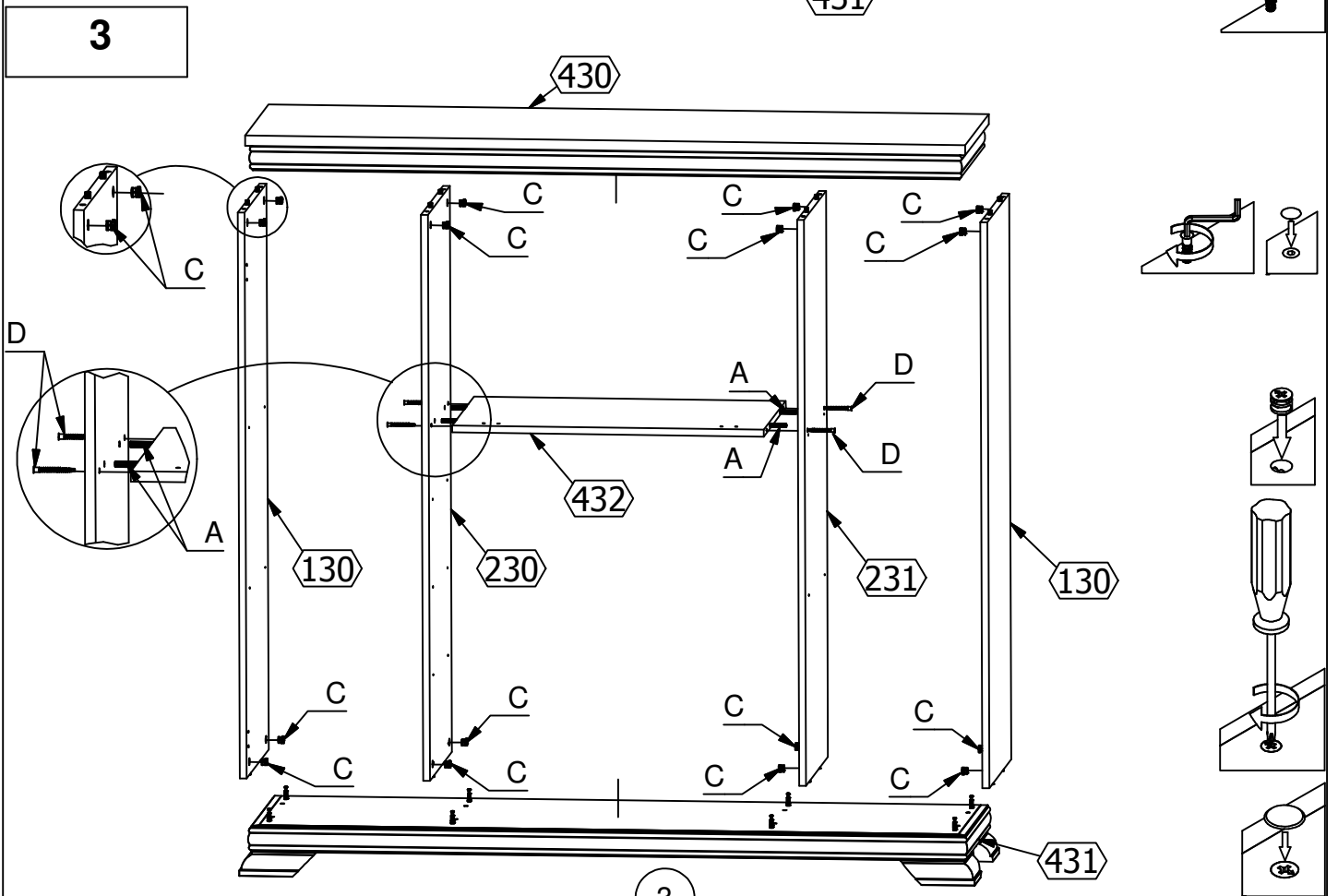
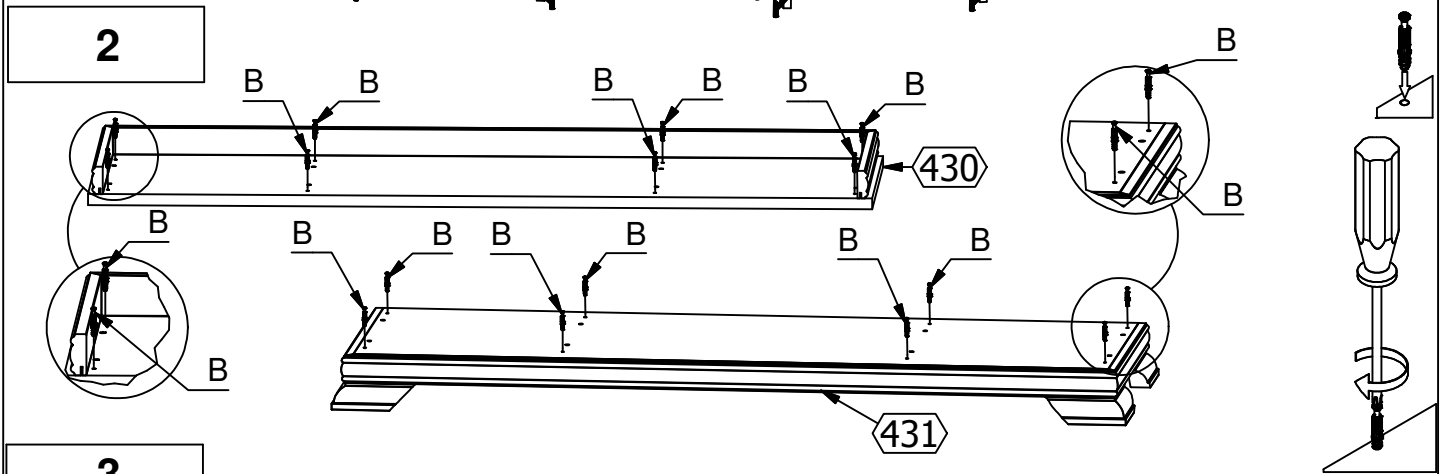
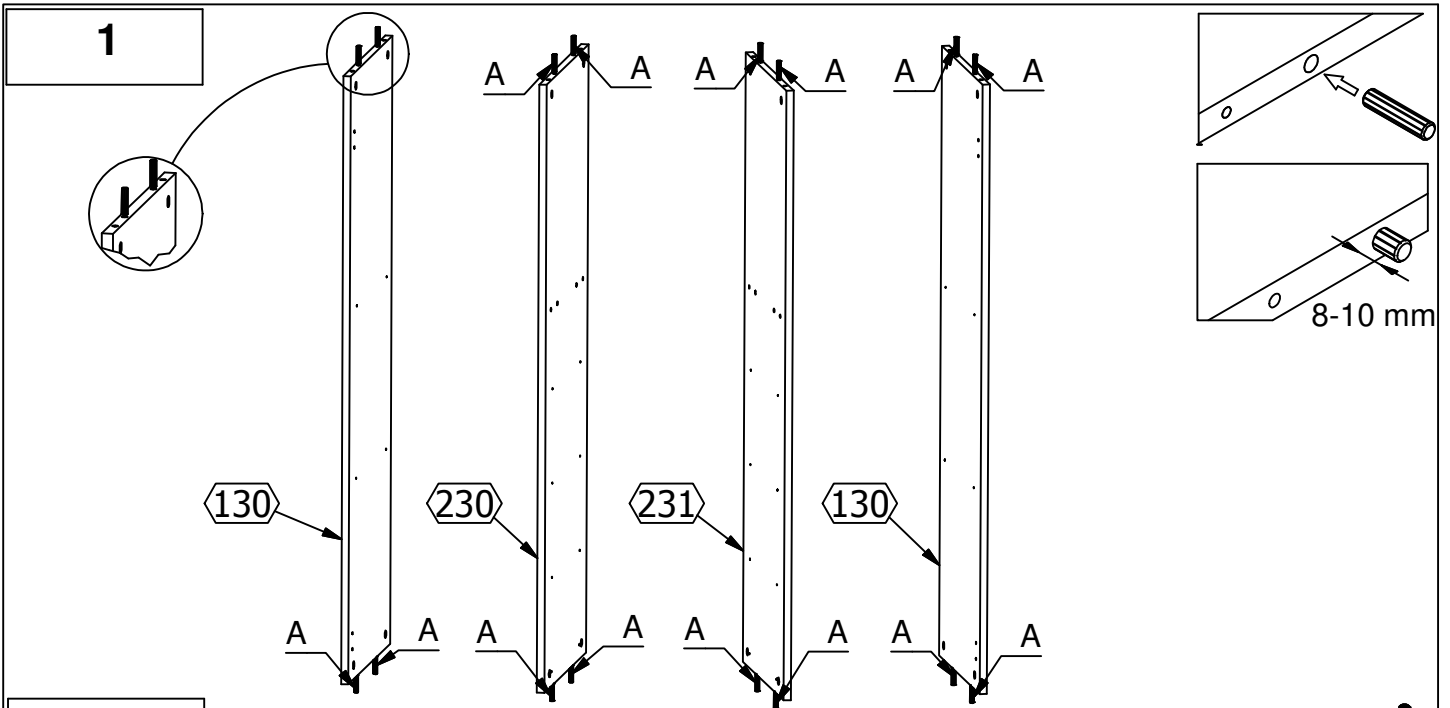


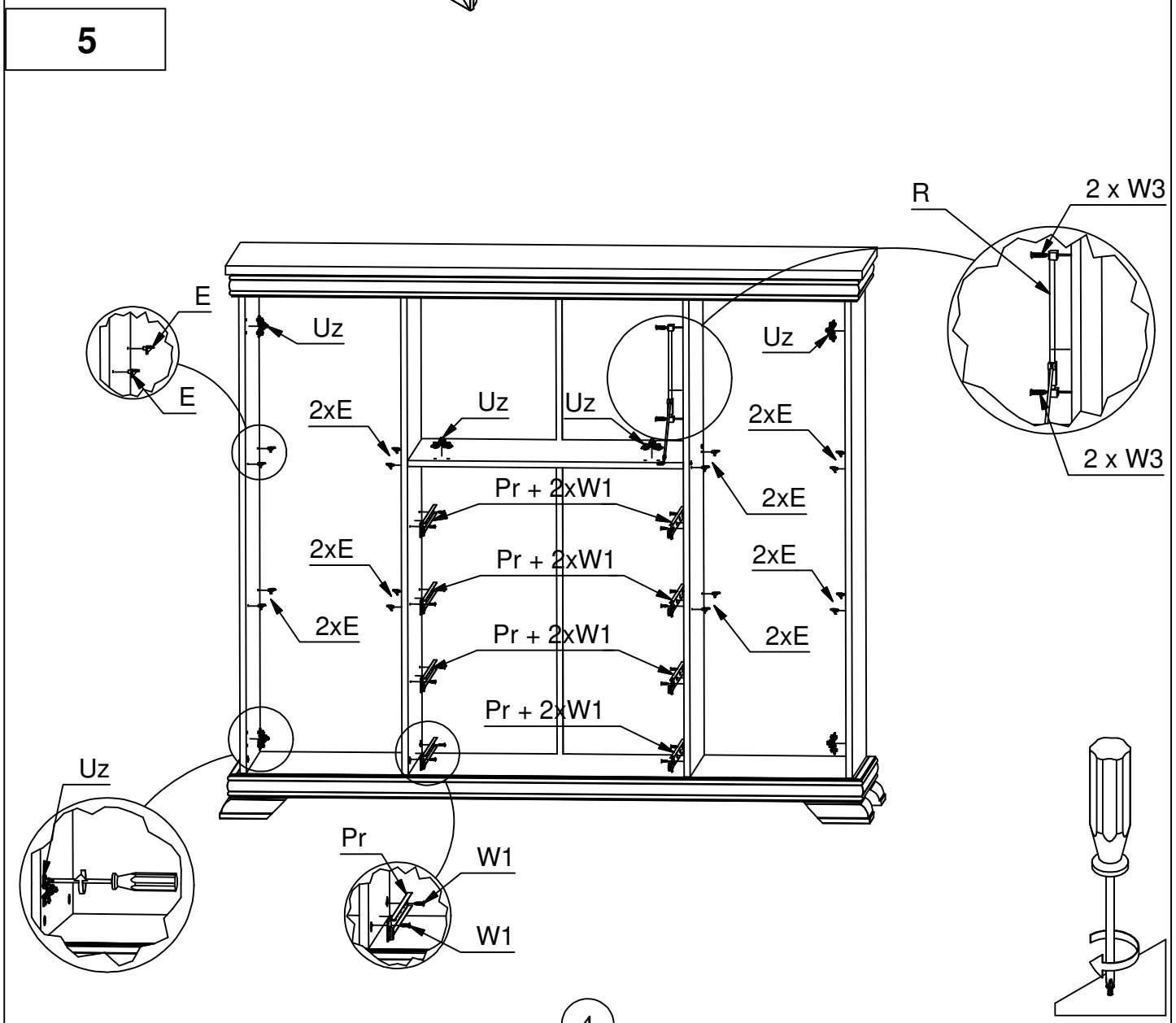
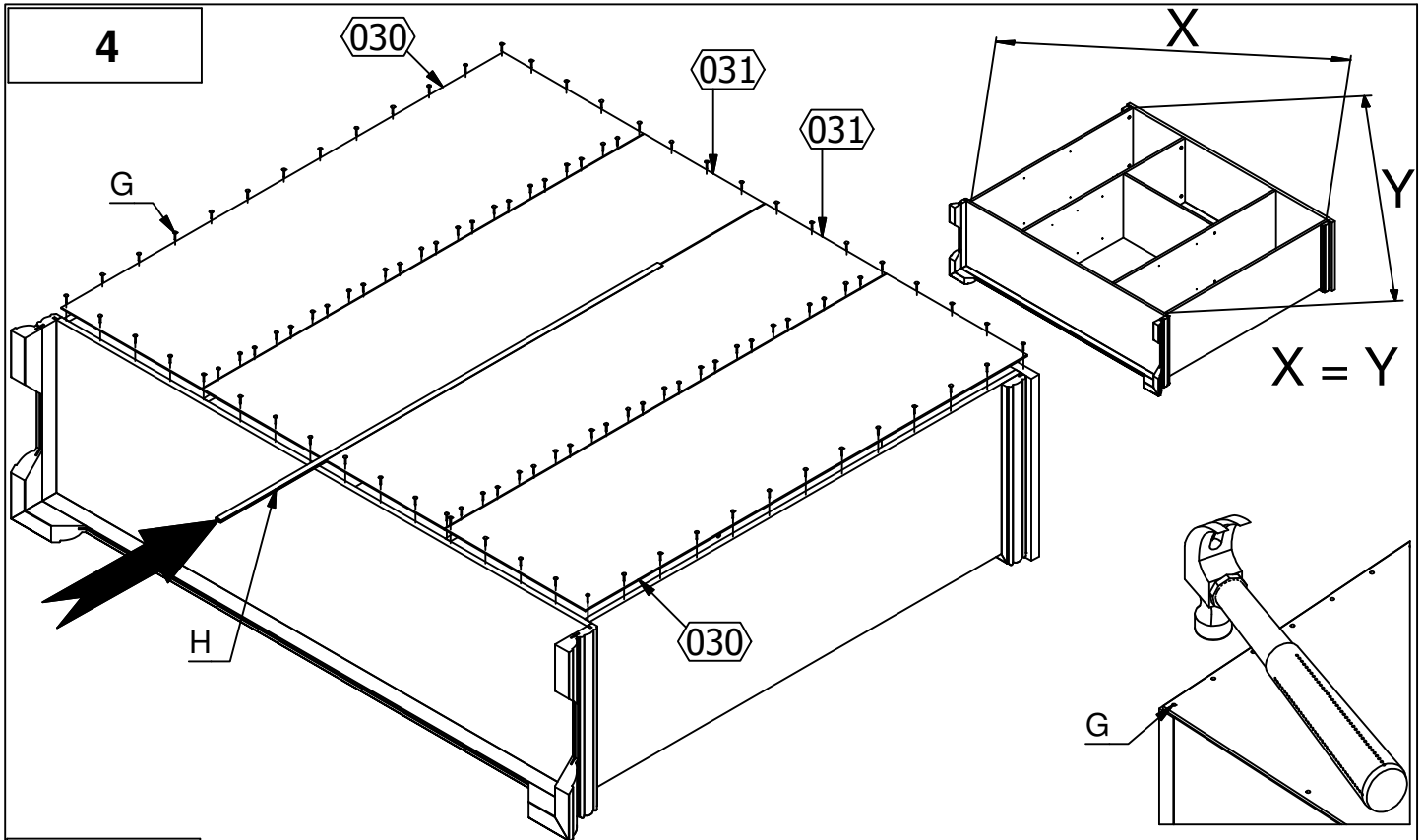
W3 x20
(3x25)



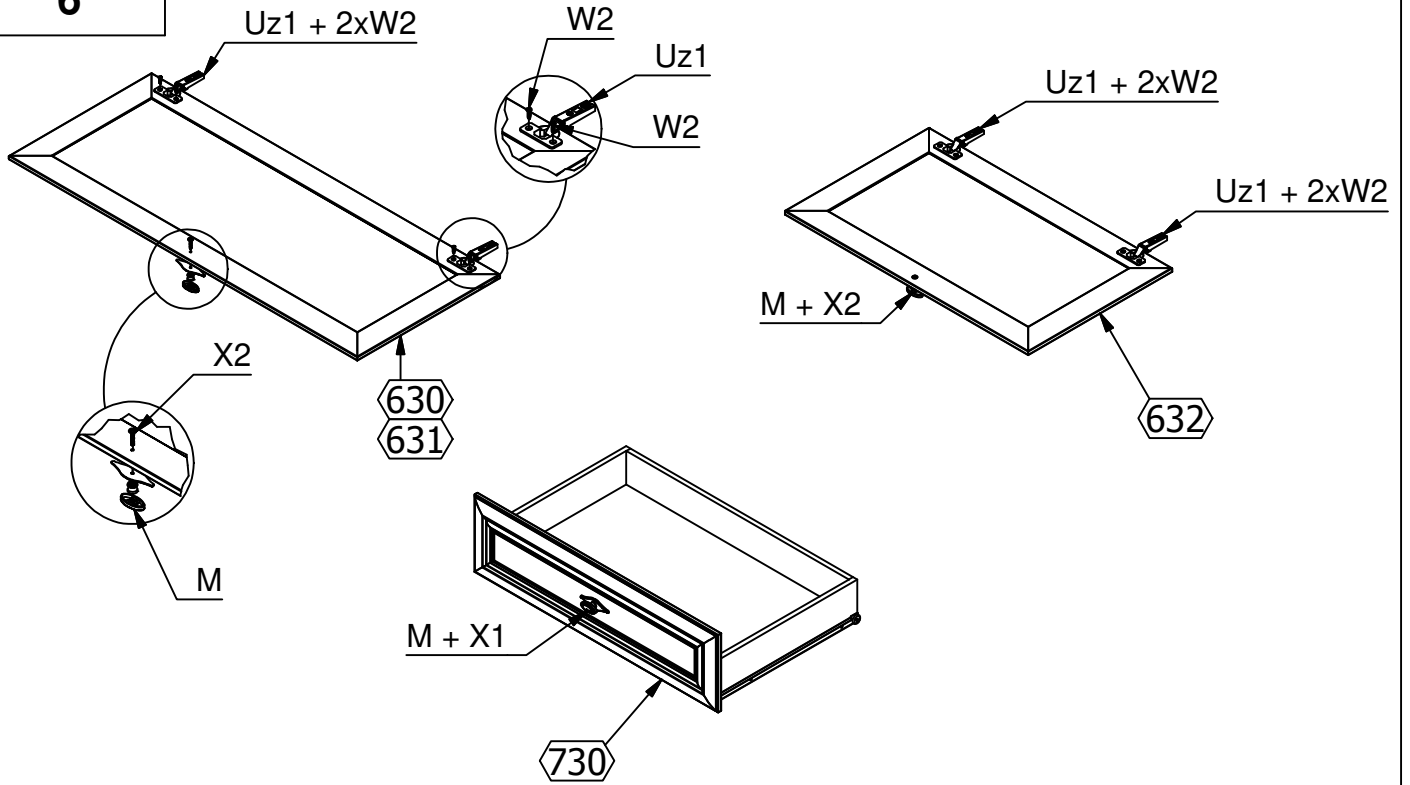
Z x1



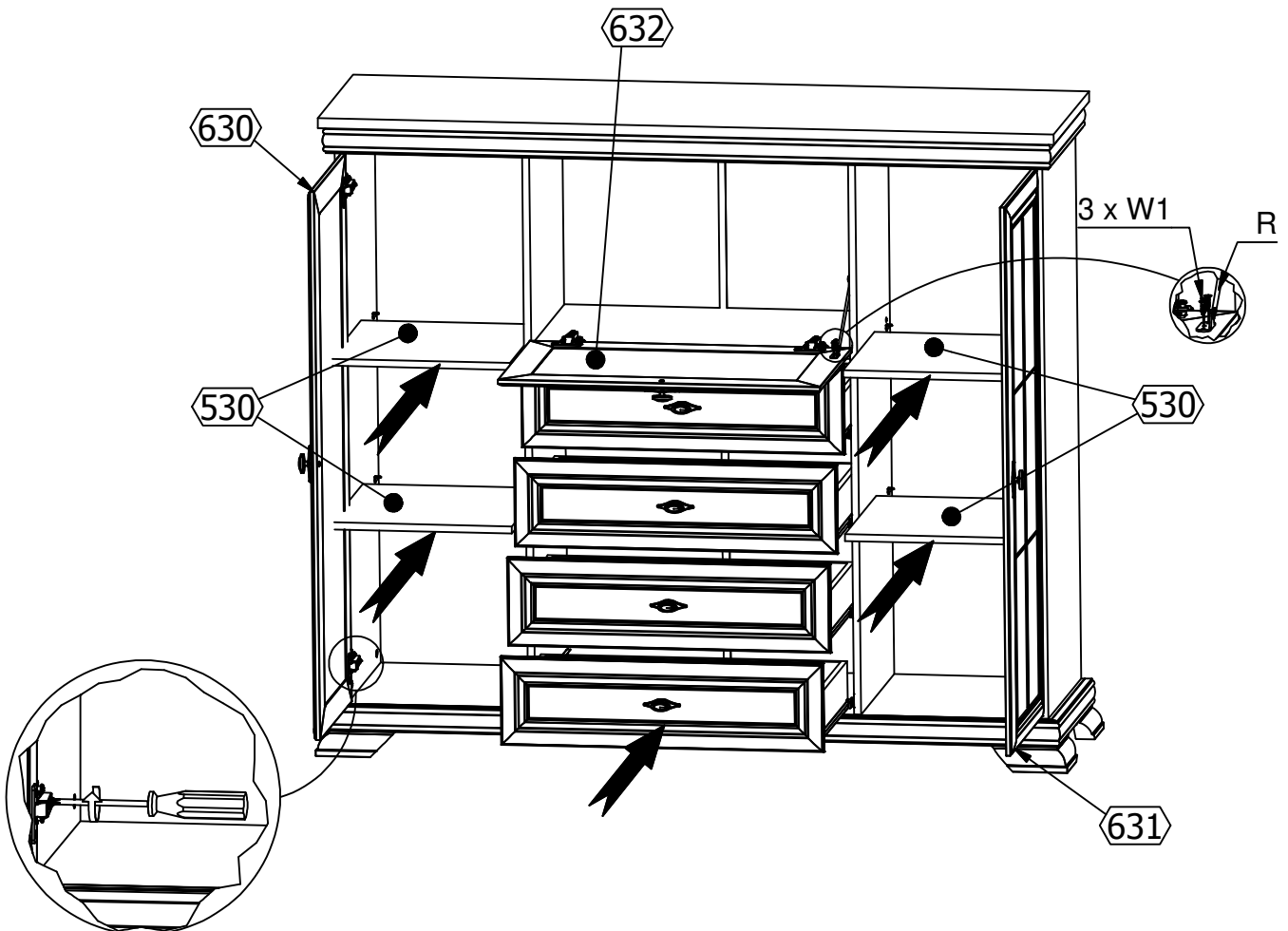




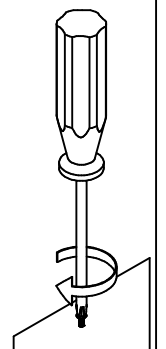
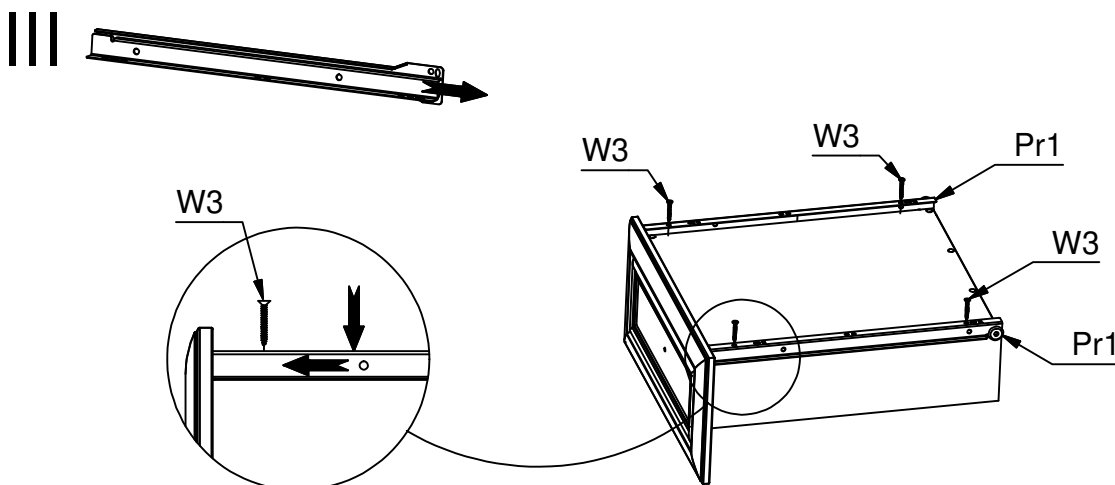
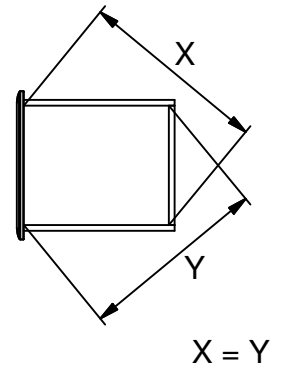
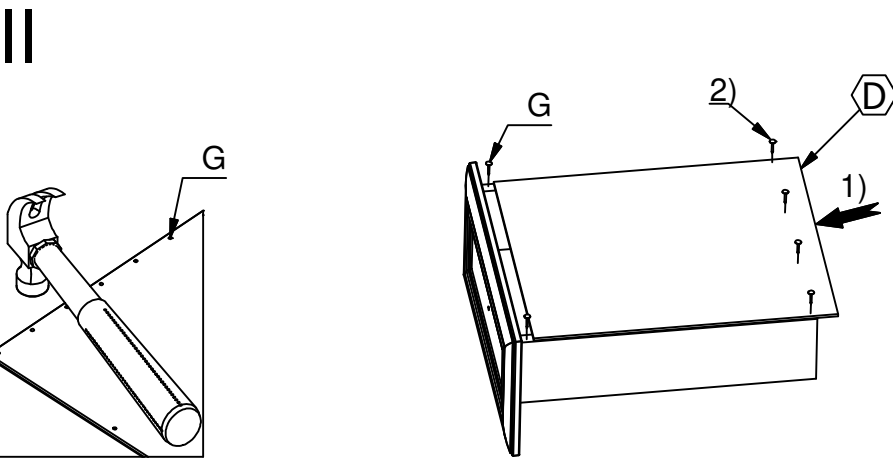
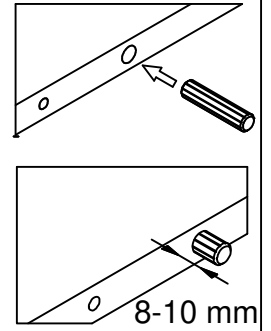
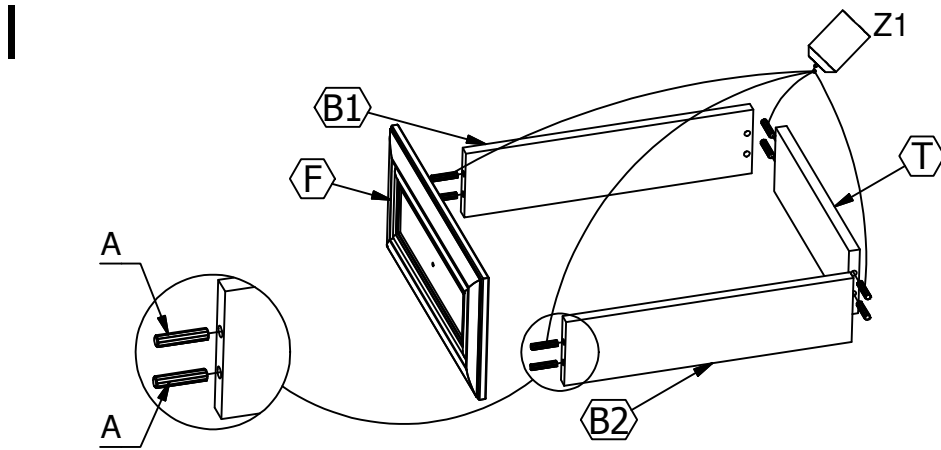
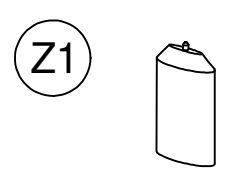
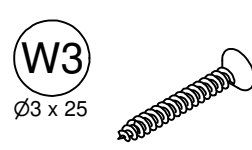
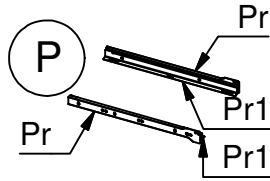
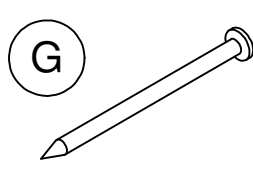
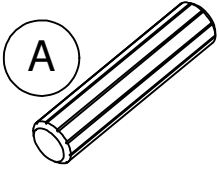
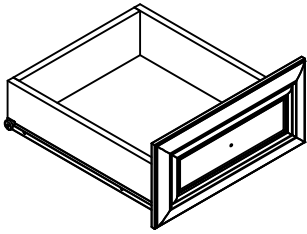
6

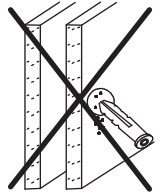
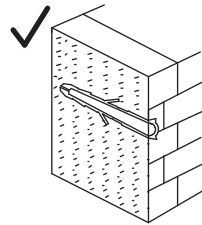
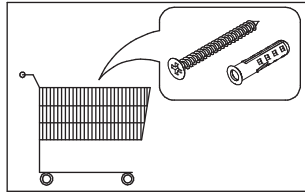
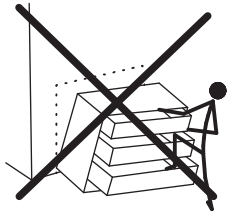
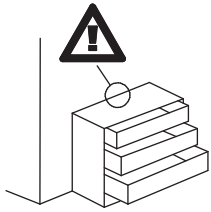


7



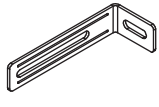
5





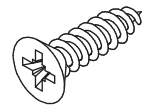
A

T4 x1

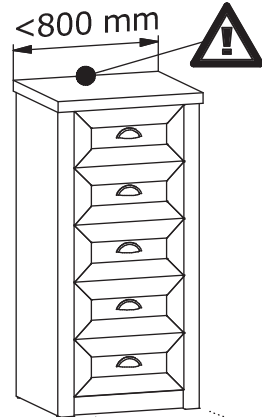


75x28x16 mm

W2 x2

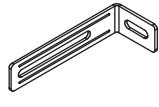


Ø3,5x16mm



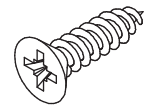
B

T4 x2



75x28x16 mm

W2 x4



Ø3,5x16mm

