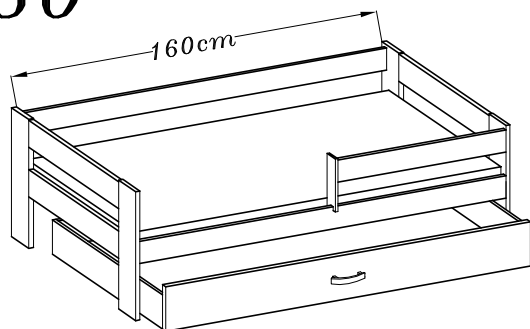
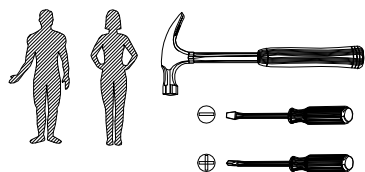
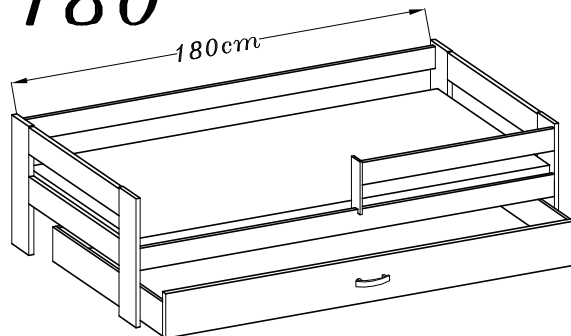
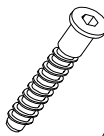
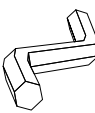
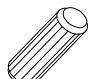

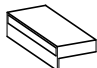






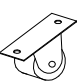
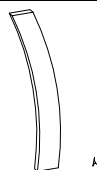
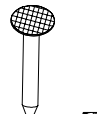


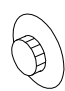
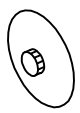


160



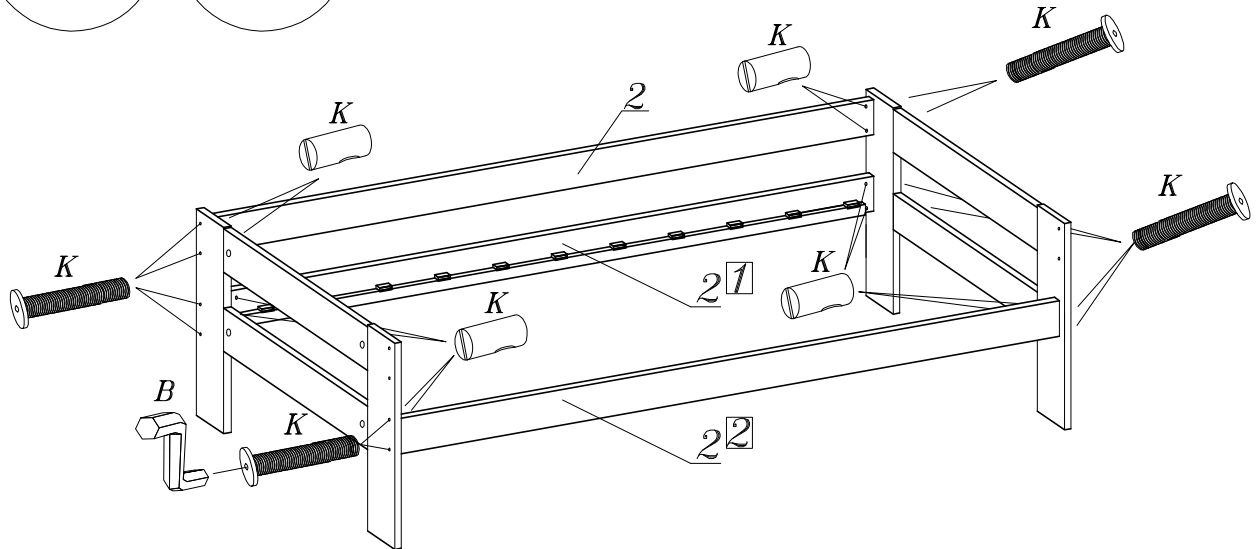
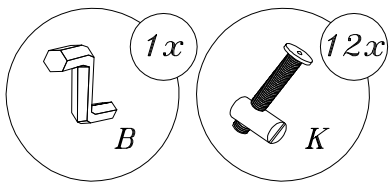
180



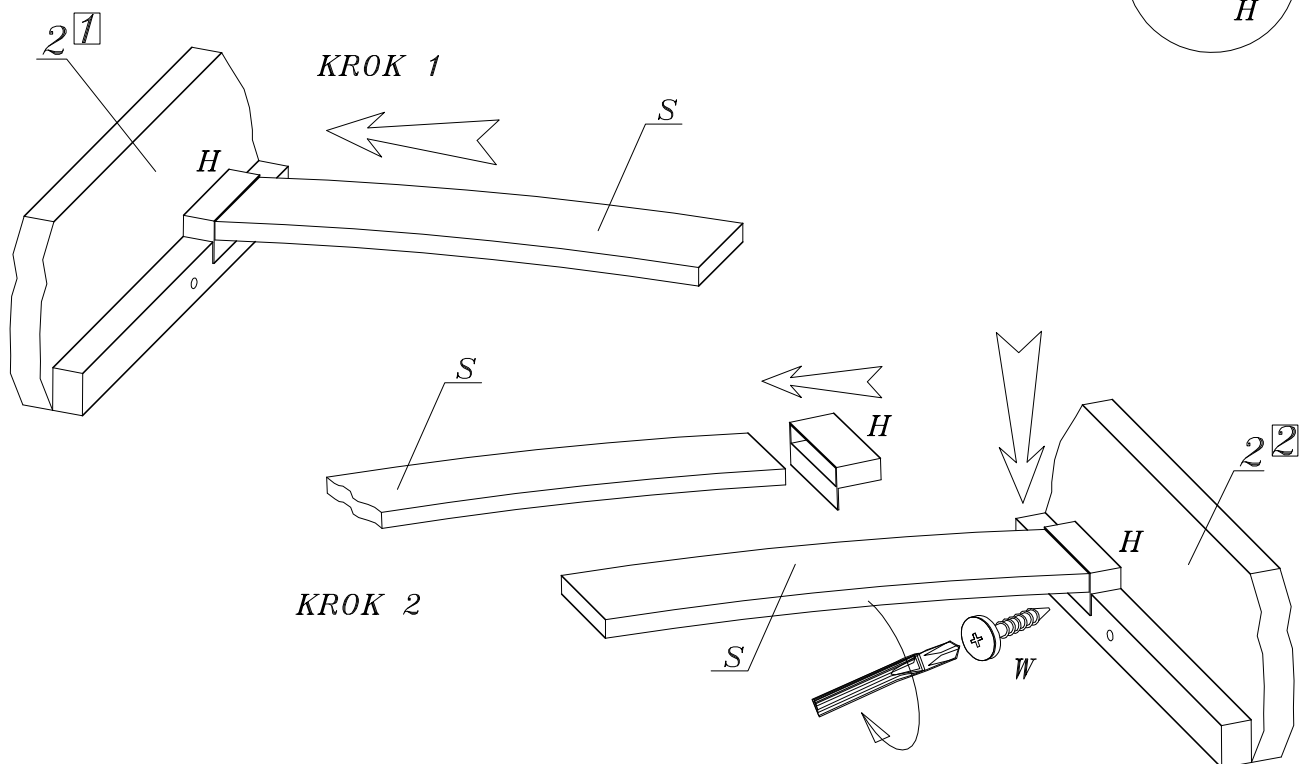
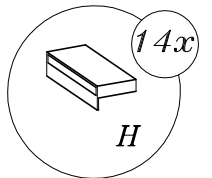
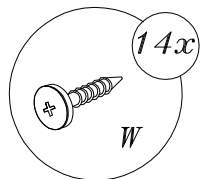
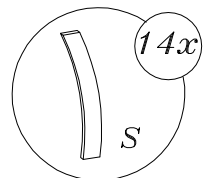
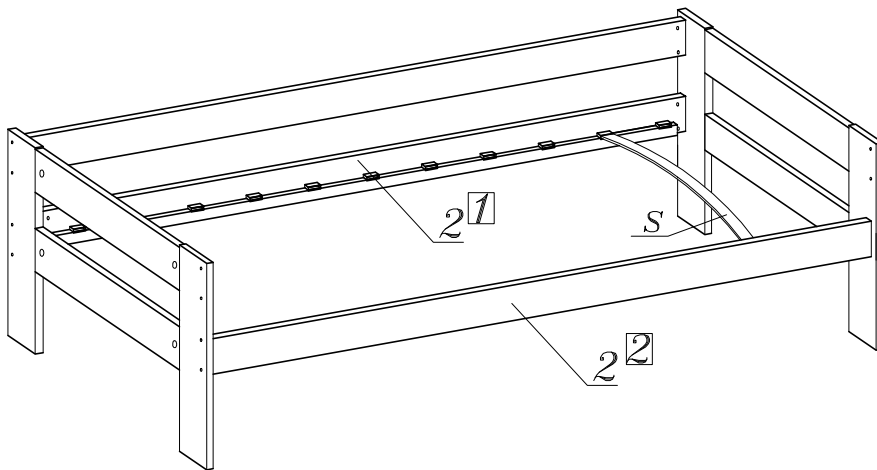
 A	 B	8.0X35  C	 D	 H	3.5X35  G	 I	 U
9	1	18	9	28	16	1	8
M6.0X60  K	 L	4.0X27  M	 R	 S	 T	 Y	4.0X13  W
14	1	2	4	14	30	8	36
						∅8  D2	 D1
						4	8



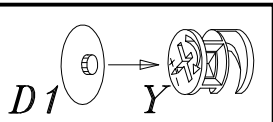
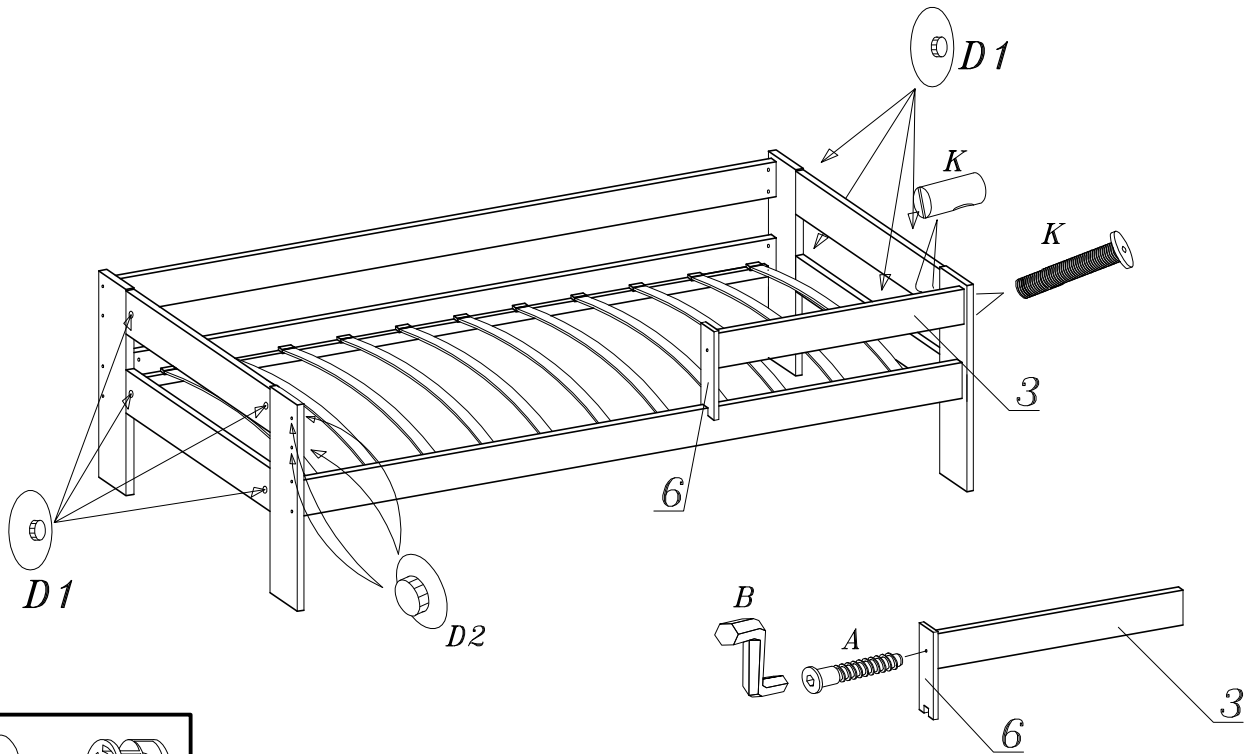
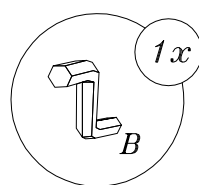
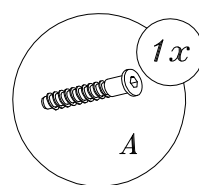
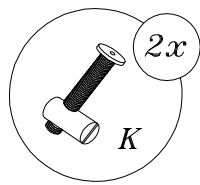
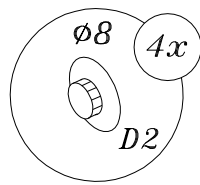
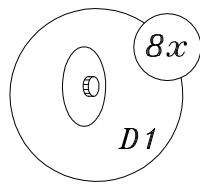
4



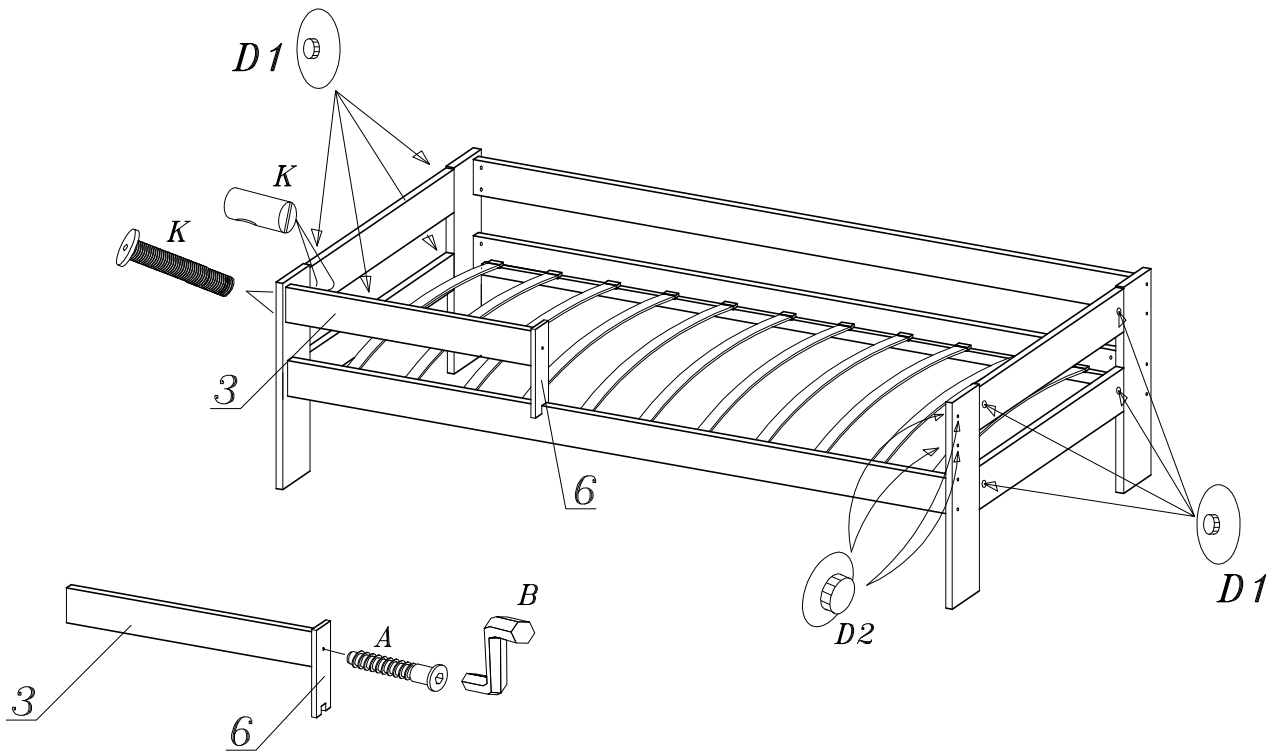
5



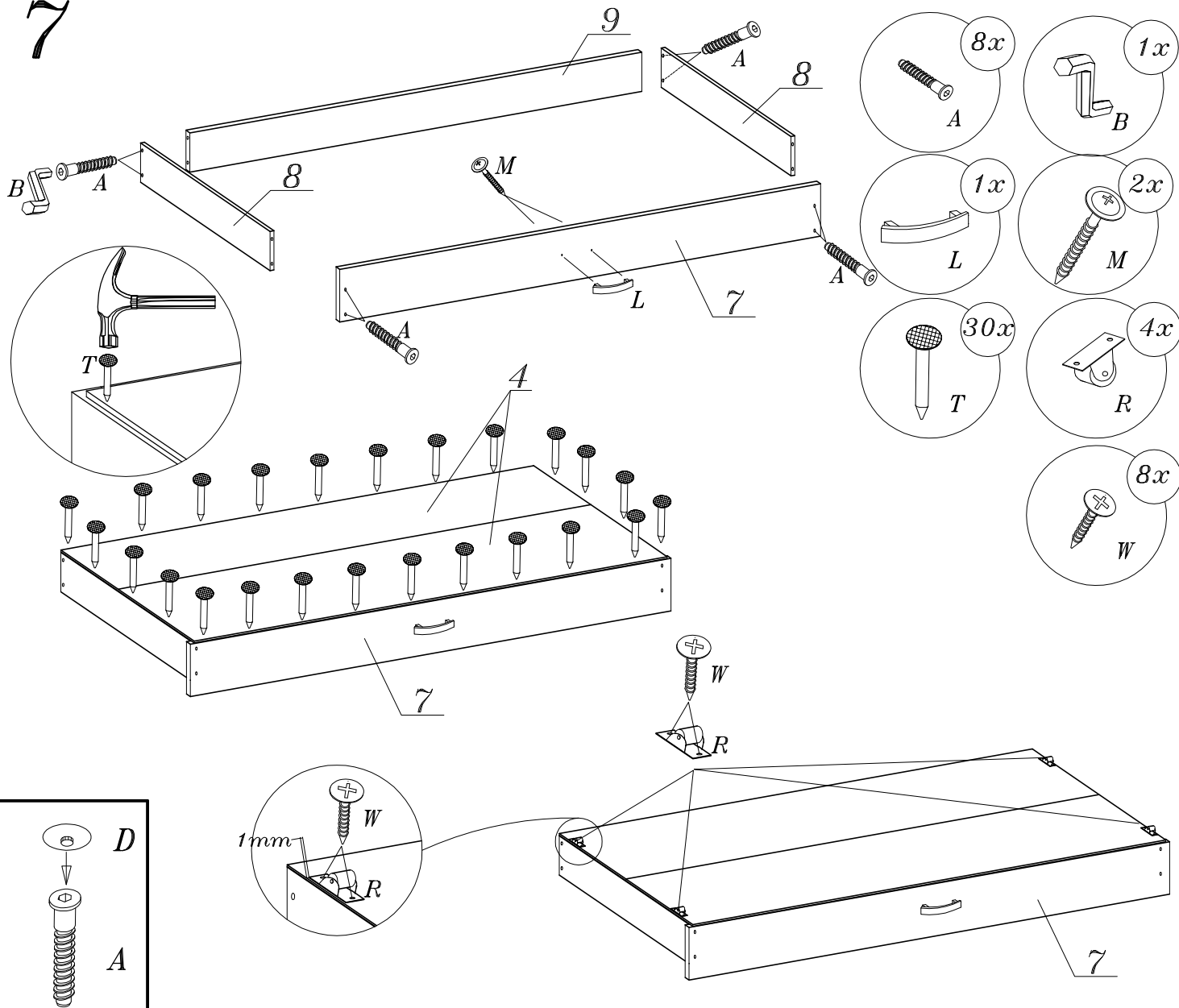
# 6A



# 6B

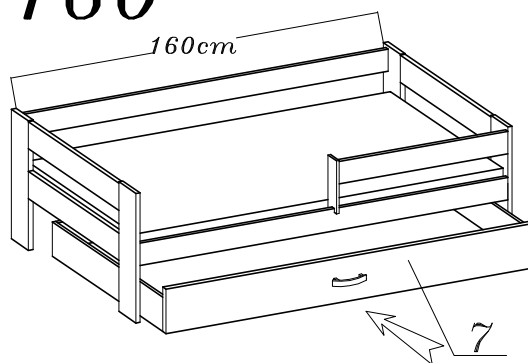


7



8

160



180

