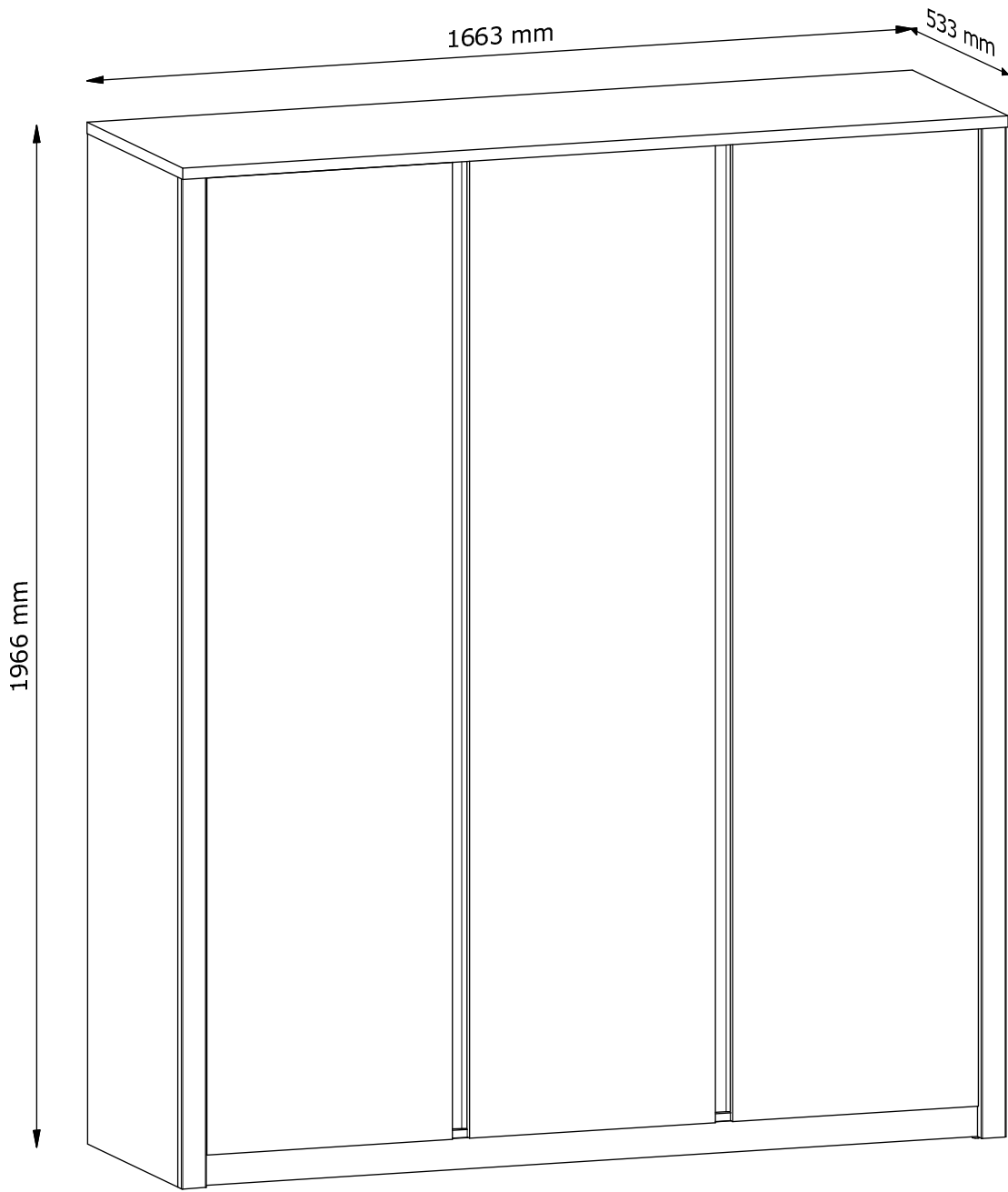
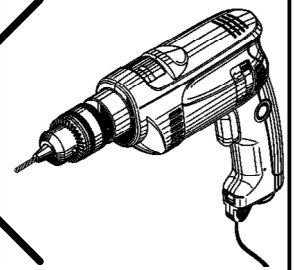
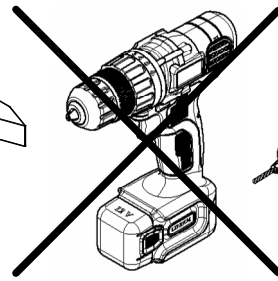
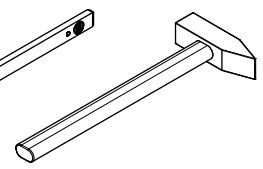
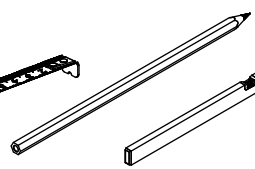
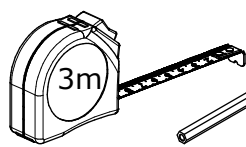
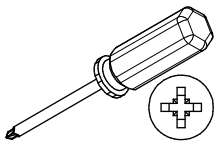
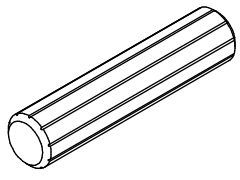
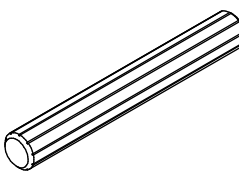
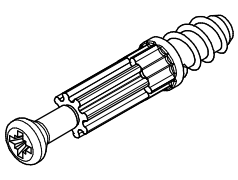
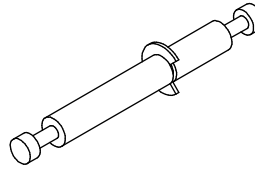
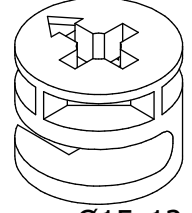
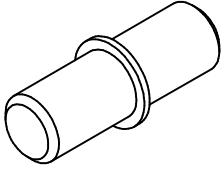
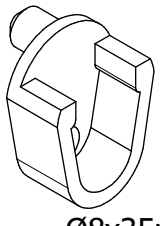
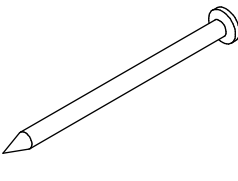
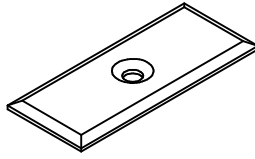
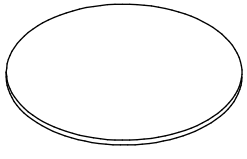
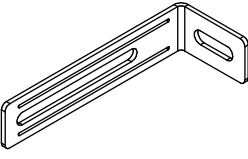
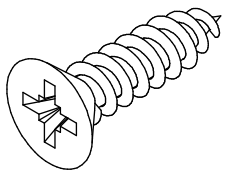
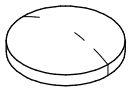
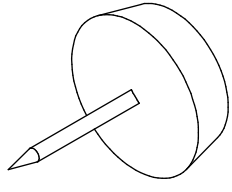
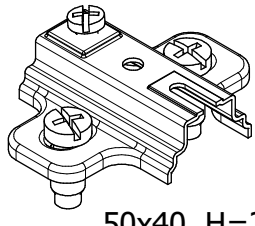
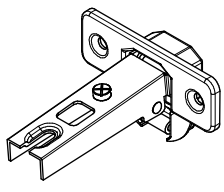
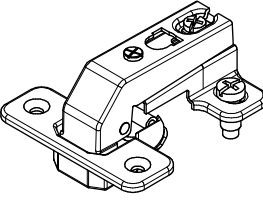
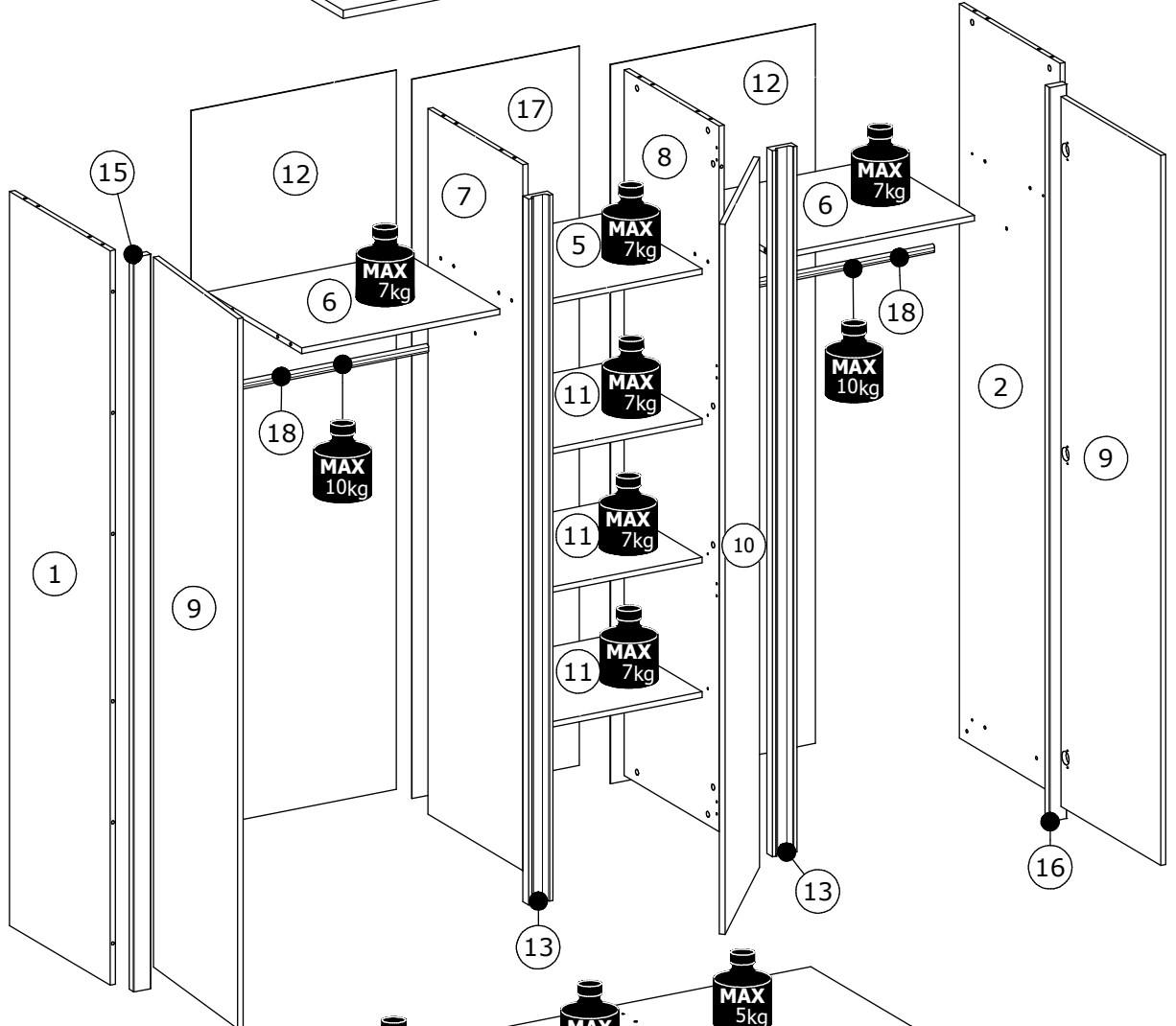
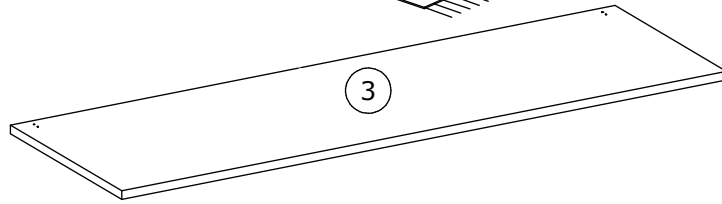
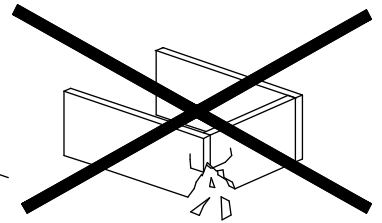
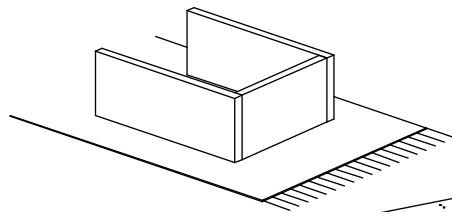
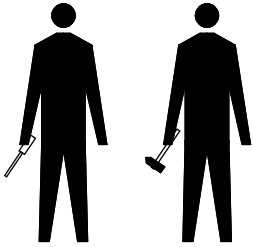


S3D

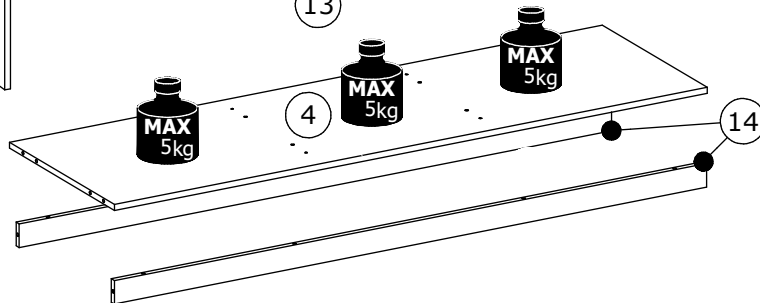




<p>A1 x40</p>  <p>Ø8x35mm</p>	<p>A2 x4</p>  <p>Ø8x60mm</p>	<p>B1 x36</p>  <p>Ø5x38mm</p>	<p>B2 x4</p>  <p>Ø7x70mm</p>	<p>C1 x44</p>  <p>Ø15x12mm</p>
<p>E1 x12</p>  <p>Ø5x16mm</p>	<p>E7 x4</p>  <p>Ø8x35mm</p>	<p>G1 x92</p>  <p>26mm</p>	<p>G3 x32</p>  <p>22x10mm</p>	<p>J x40</p>  <p>Ø21mm</p>
<p>T4 x2</p>  <p>75x28x16 mm</p>	<p>W2 x28</p>  <p>Ø3,5x16mm</p>	<p>Y1 x6</p>  <p>Ø8x1,5mm</p>	<p>Y5 x12</p>  <p>Ø15x20mm</p>	<p>Z1 x4</p>  <p>50x40, H=2</p>
<p>Z3 x4</p>  <p>Ø35, ZK0</p>	<p>Z6 x6</p>  <p>Ø35mm, 90°</p>			

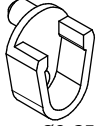


1	1940	500	15	1	1/3
2	1940	500	15	1	1/3
3	1663	530	22	1	2/3
4	1630	500	15	1	2/3
5	464	471	15	1	2/3
6	568	471	15	2	2/3
7	1865	471	15	1	1/3
8	1865	471	15	1	1/3
9	495	1876	15	2	3/3
10	495	1876	15	1	3/3
11	464	471	15	3	2/3
12	588	1900	2,5	2	3/3
13	1865	70	28	2	3/3
14	1629	60	15	2	2/3
15	1940	50	22	1	1/3
16	1940	50	22	1	1/3
17	480	1900	2,5	1	3/3
18	560	23	15	2	2/3



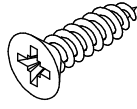
1

E7 x 2

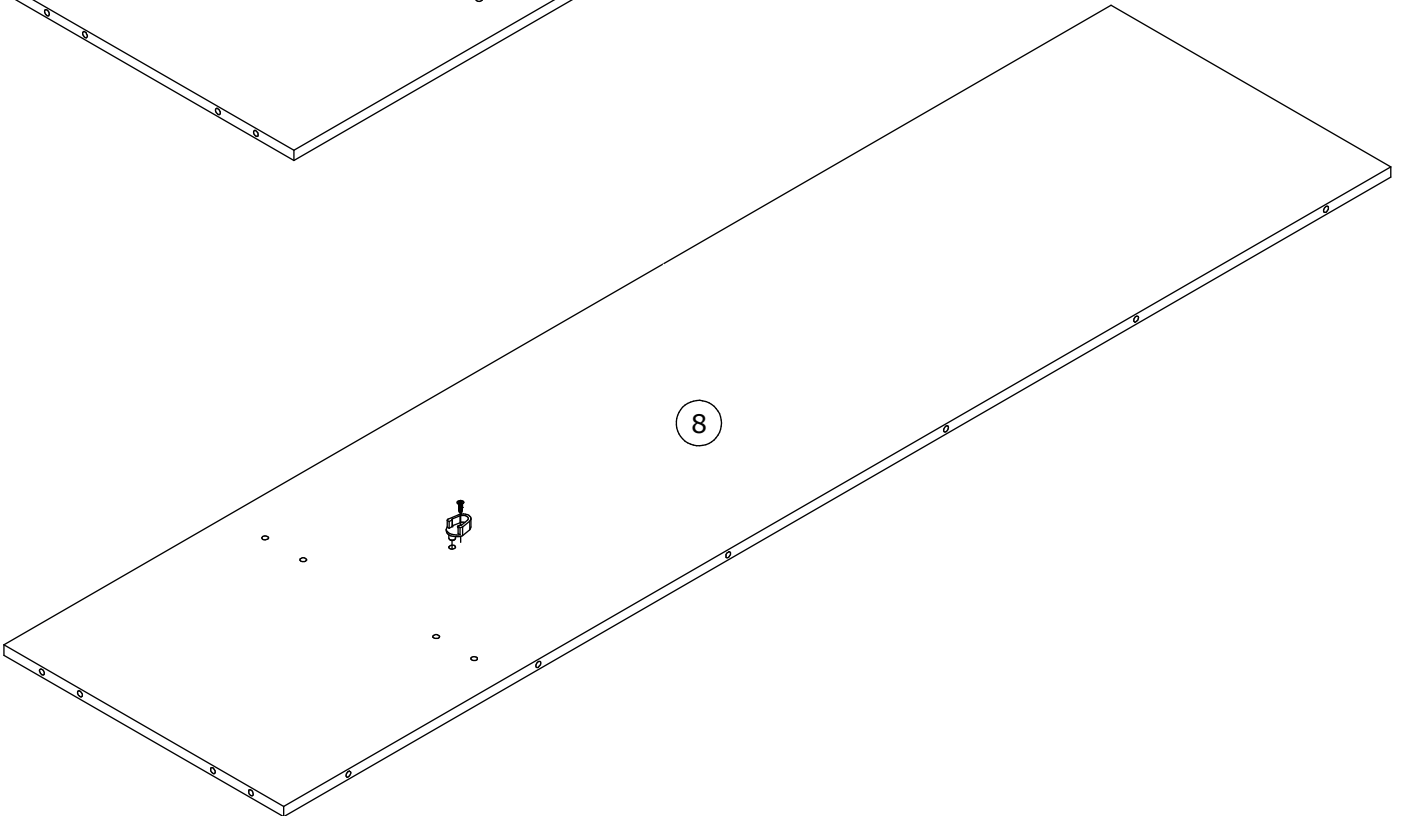
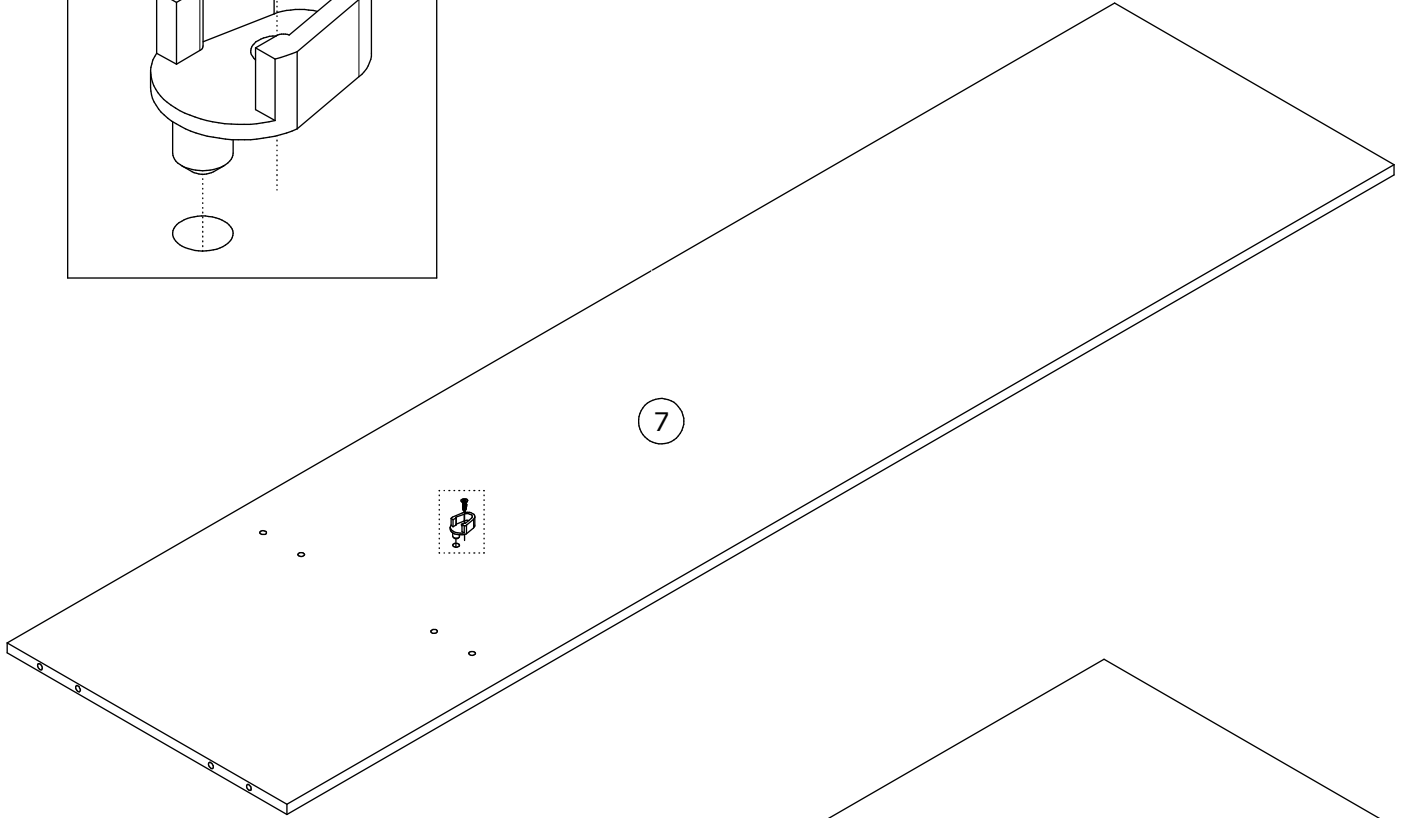
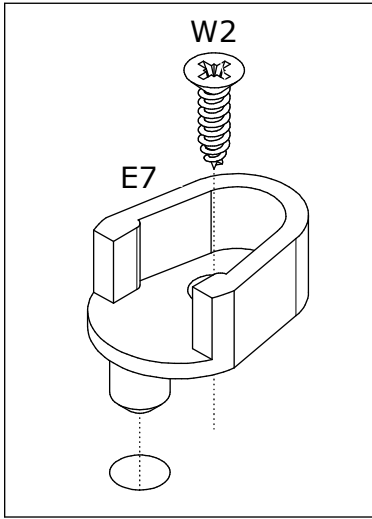
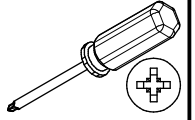


Ø8x35mm

W2 x 2

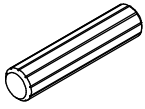


Ø3,5x16mm



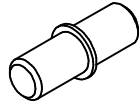
2

A1 x12

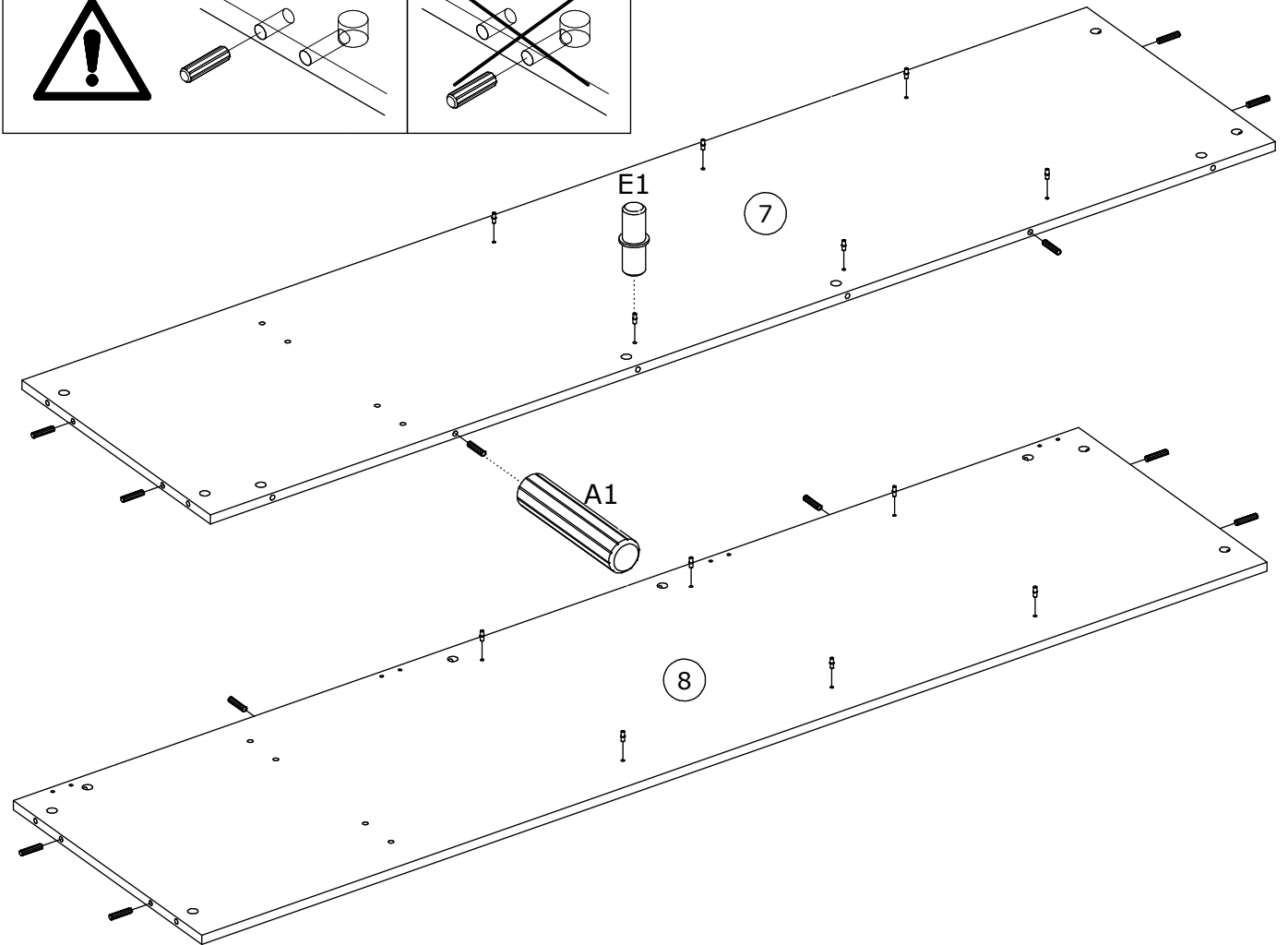
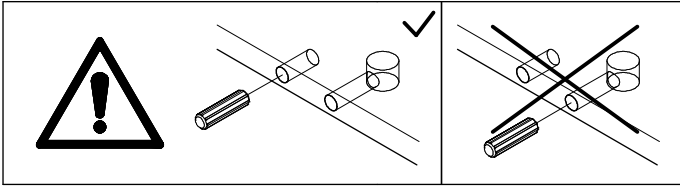
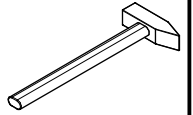


Ø8x35mm

E1 x12

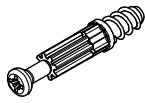


Ø5x16mm

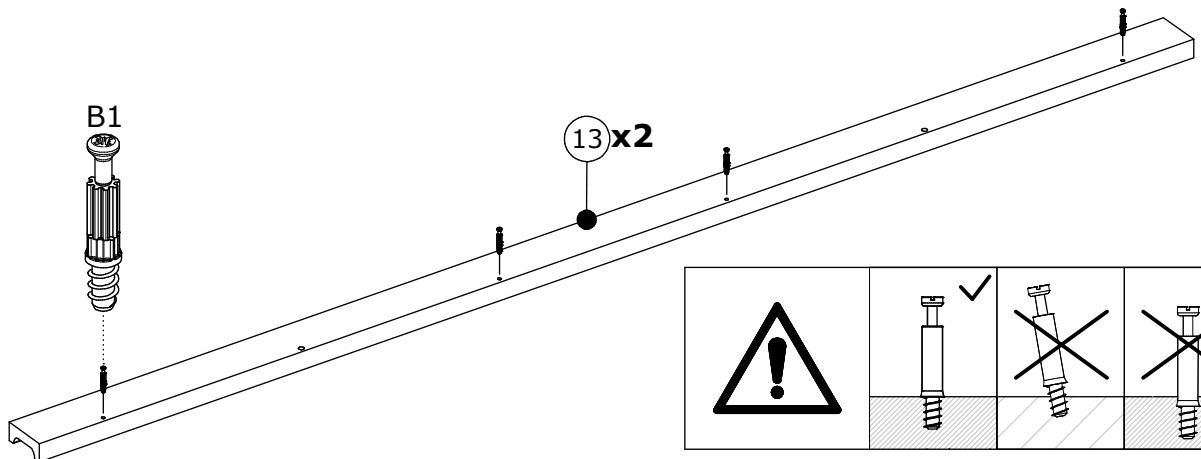
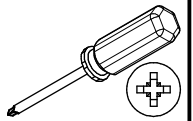


3

B1 x8

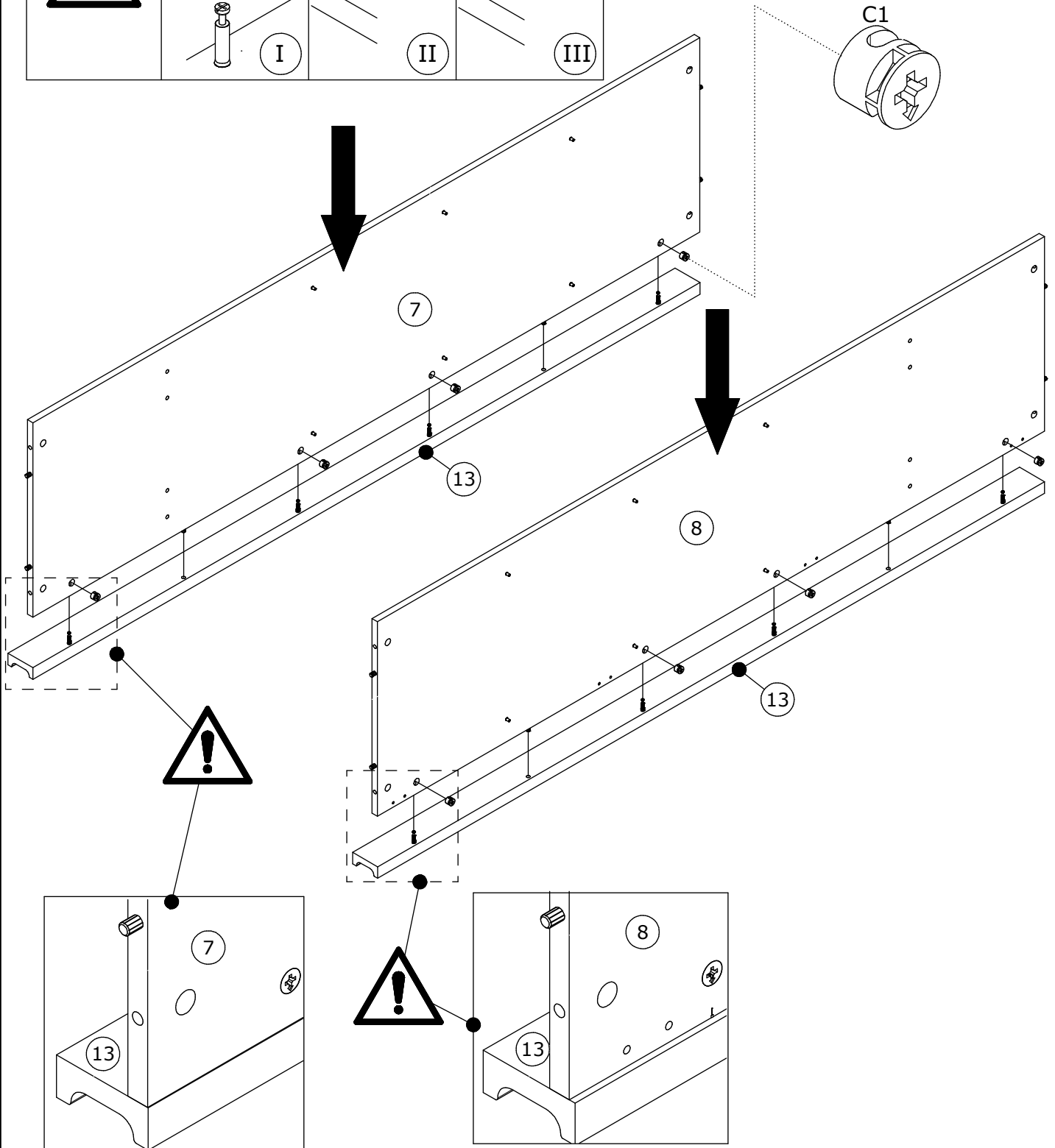
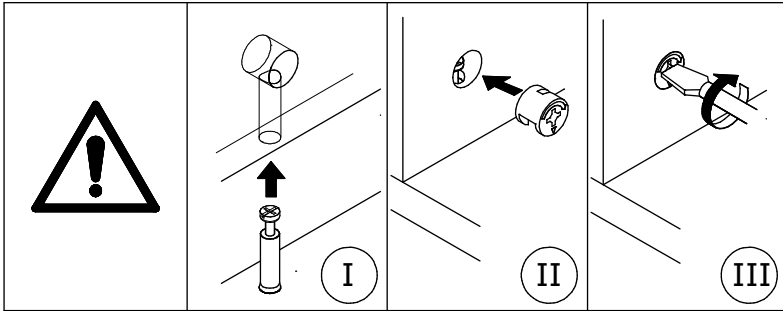
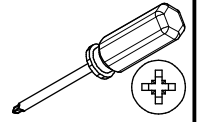


Ø5x38mm

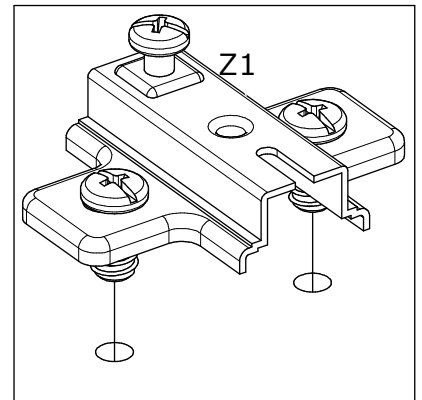
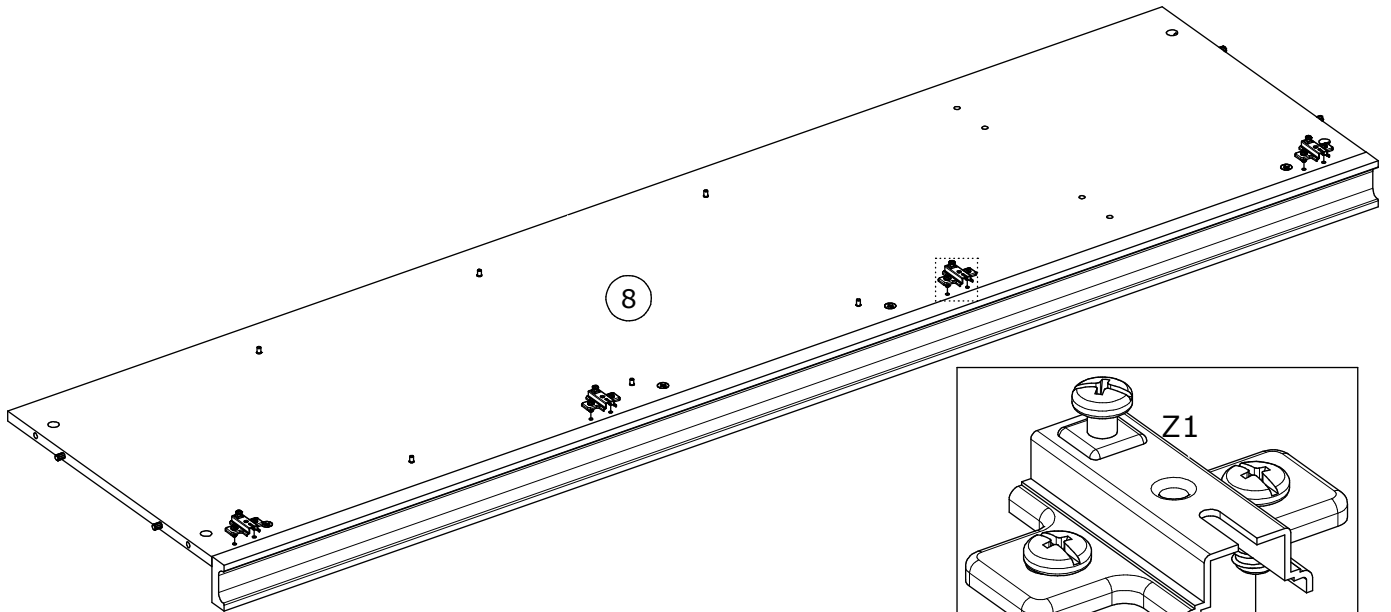
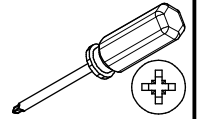
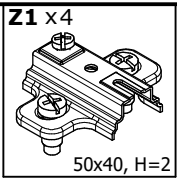


4

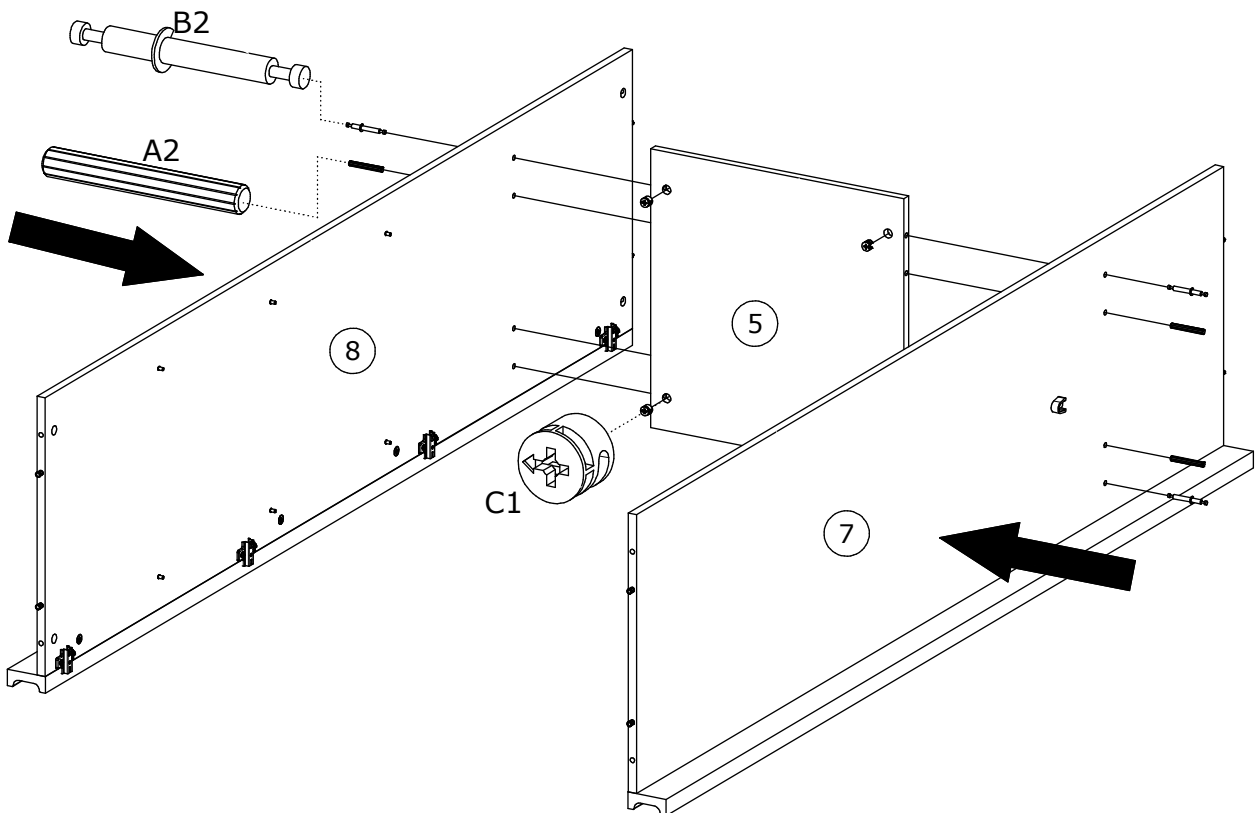
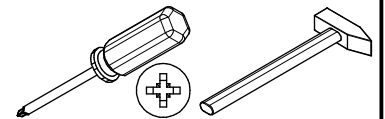
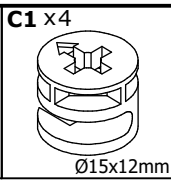
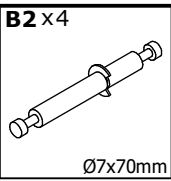
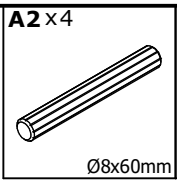
C1 x8
Ø15x12mm



5

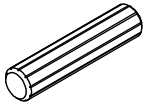


6



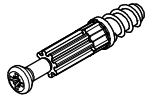
7

A1 x4

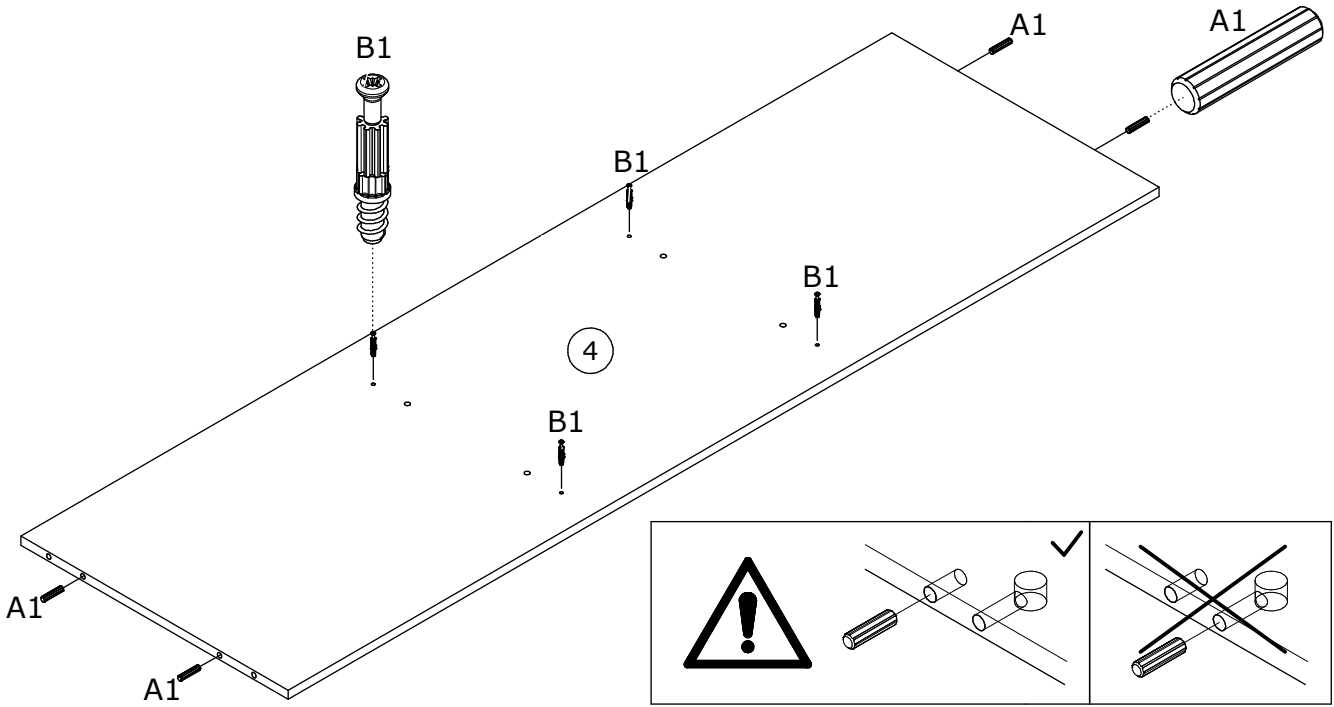
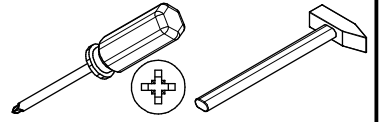


Ø8x35mm

B1 x4

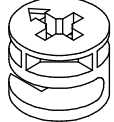


Ø5x38mm

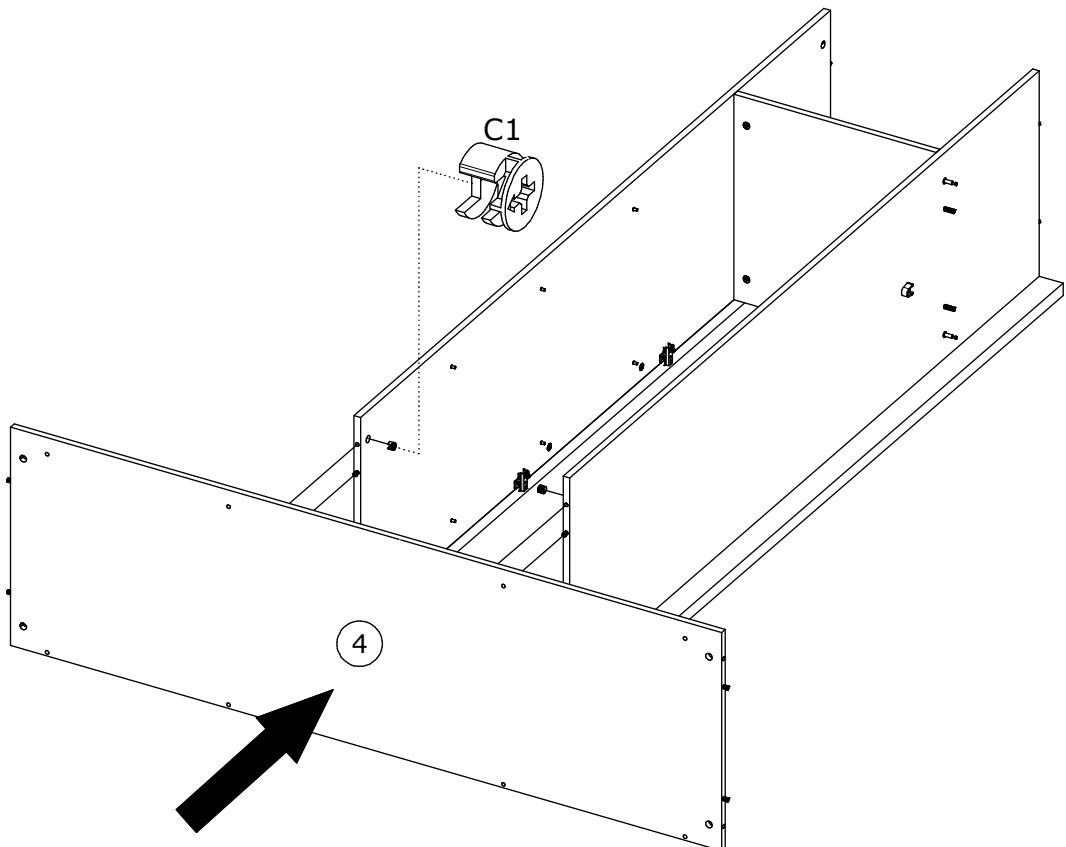
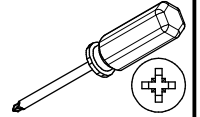


8

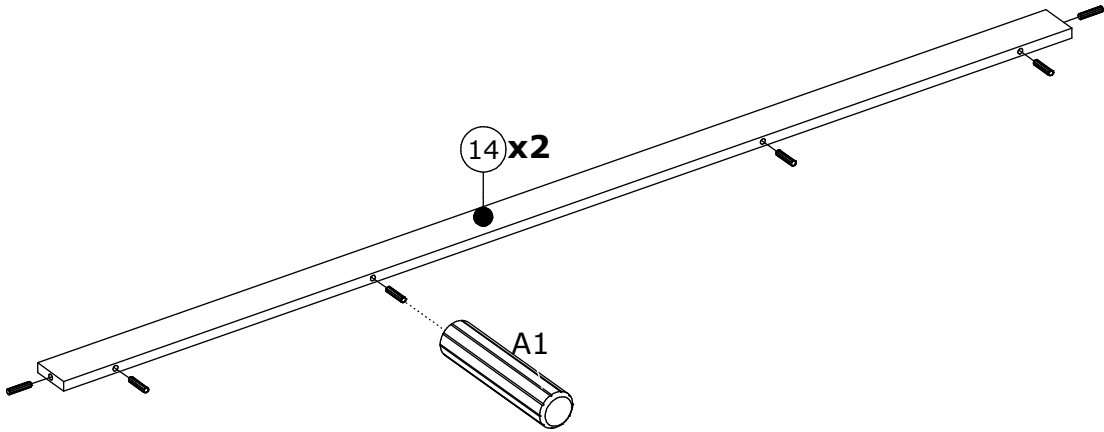
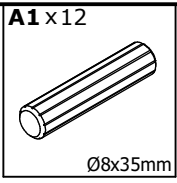
C1 x4



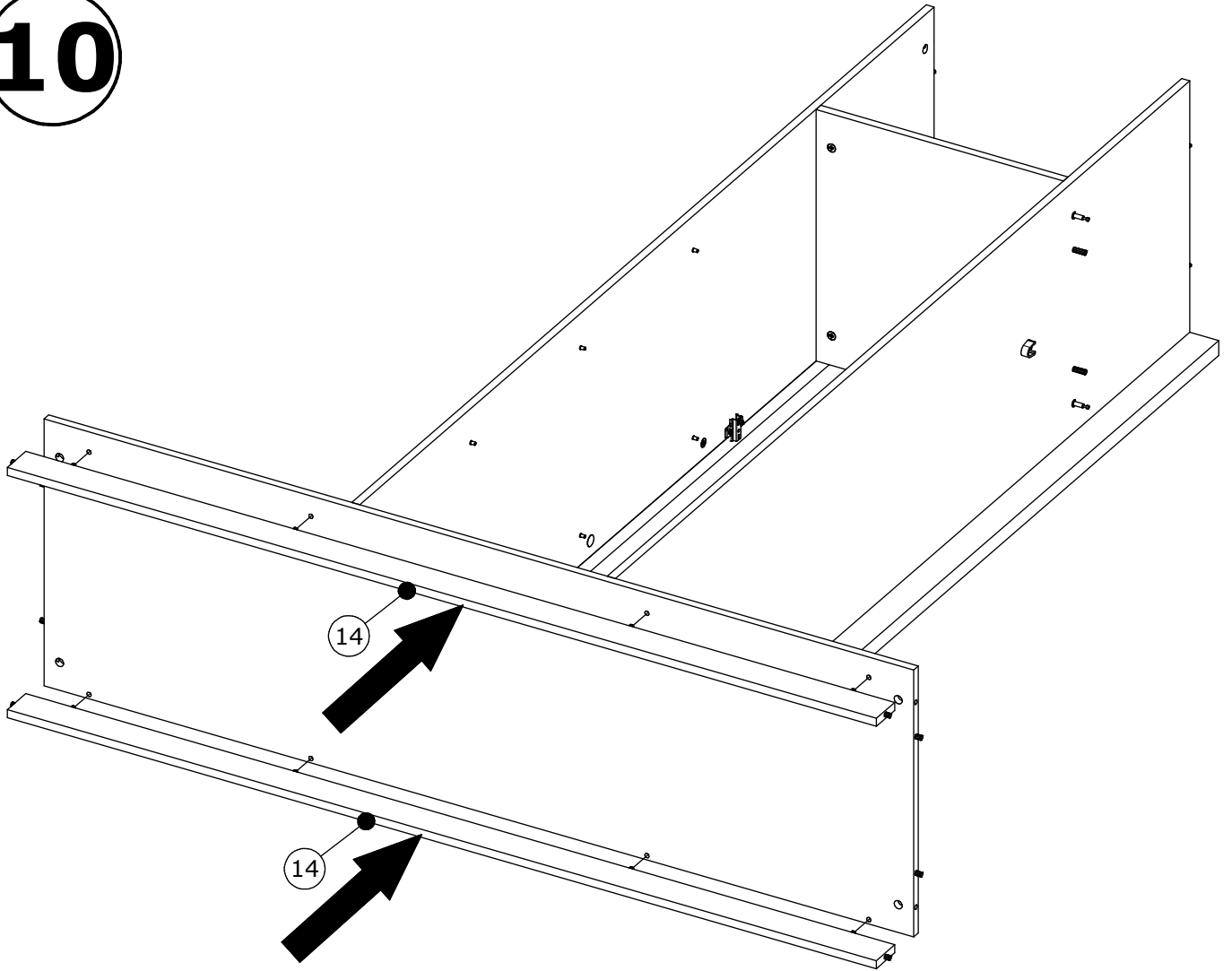
Ø15x12mm



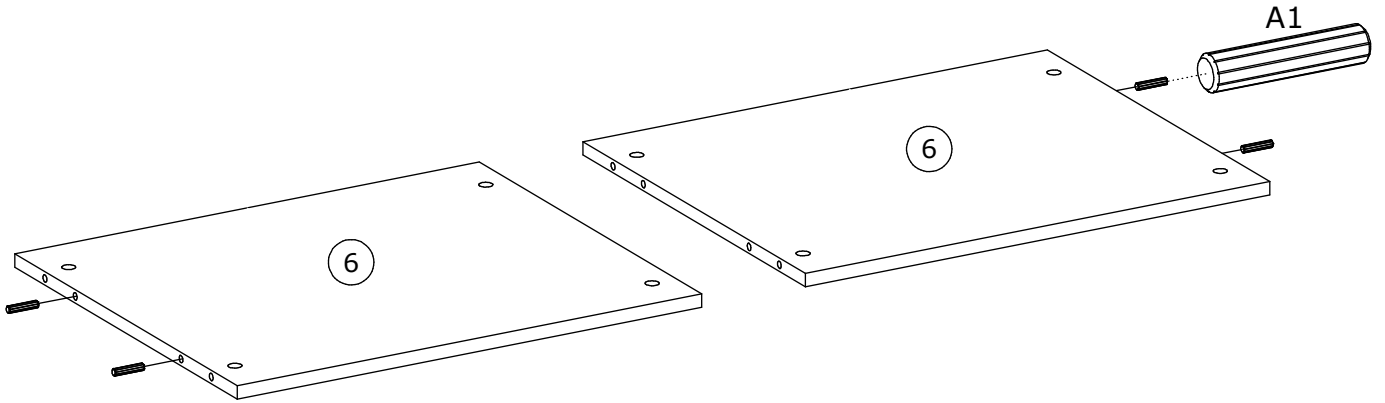
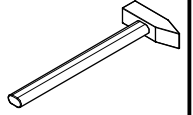
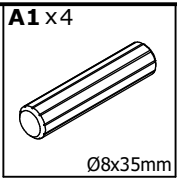
9



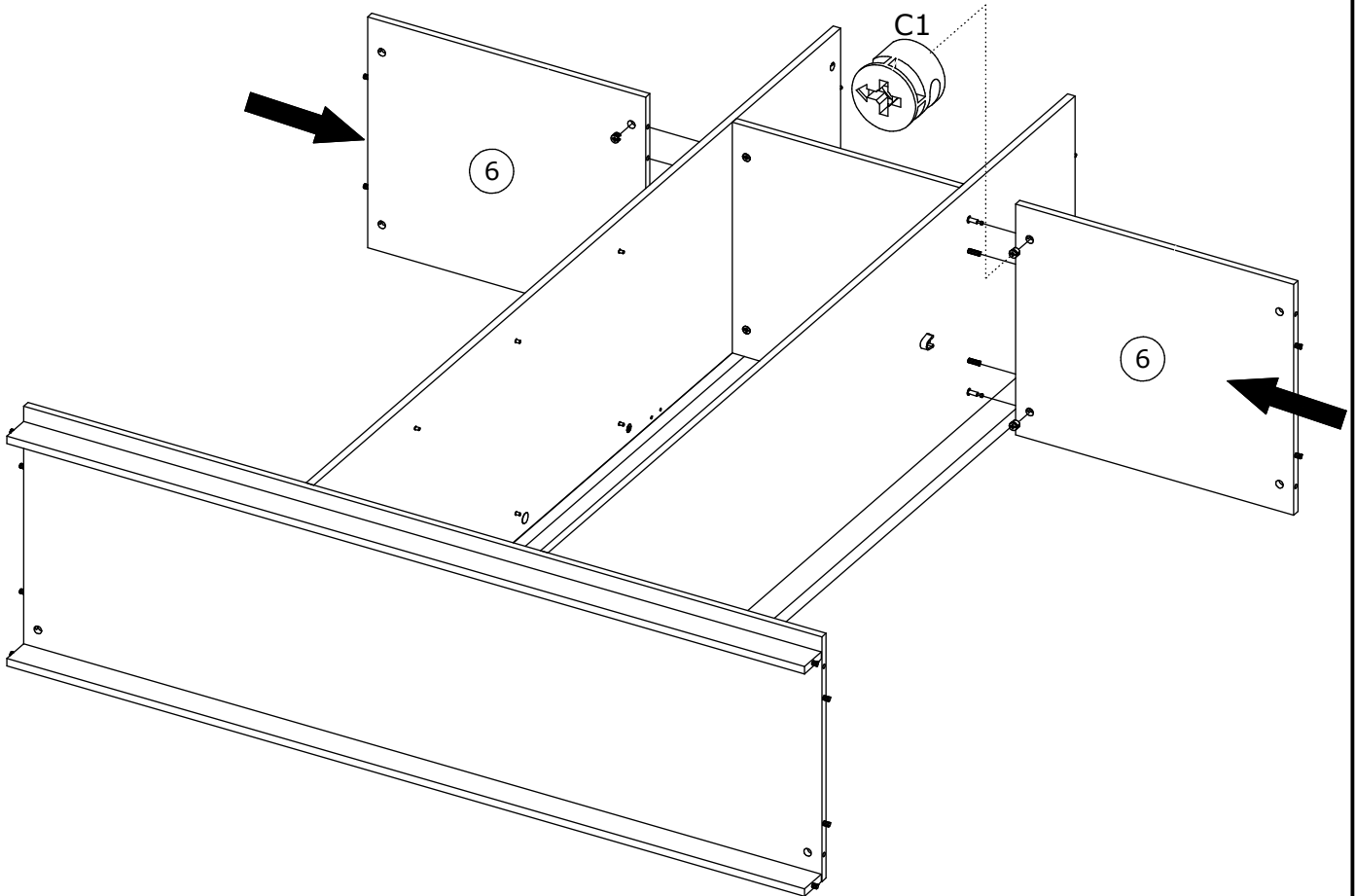
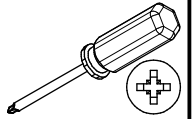
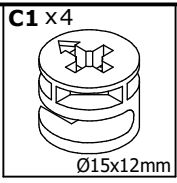
10



11

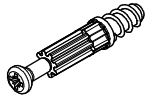


12



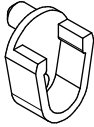
13

B1 x8



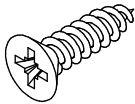
Ø5x38mm

E7 x2

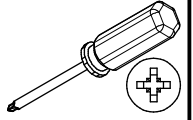


Ø8x35mm

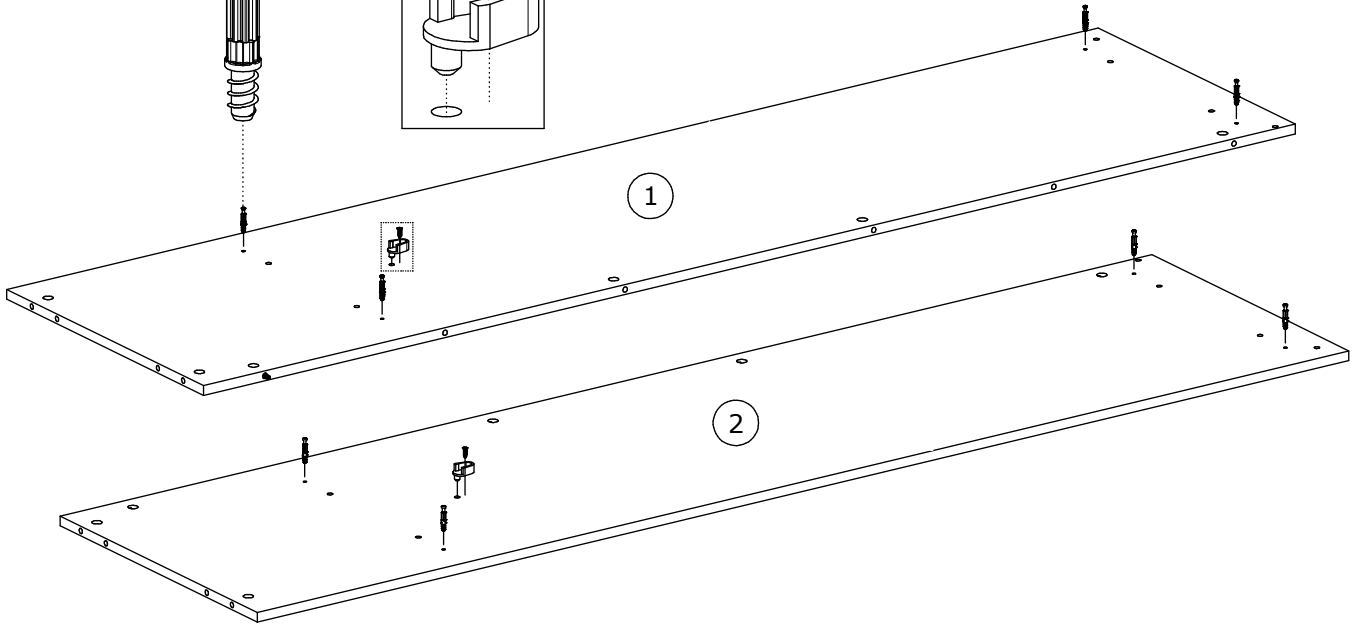
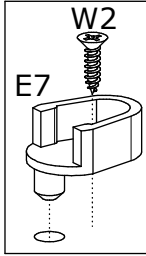
W2 x2



Ø3,5x16mm

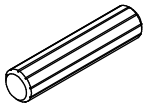


B1

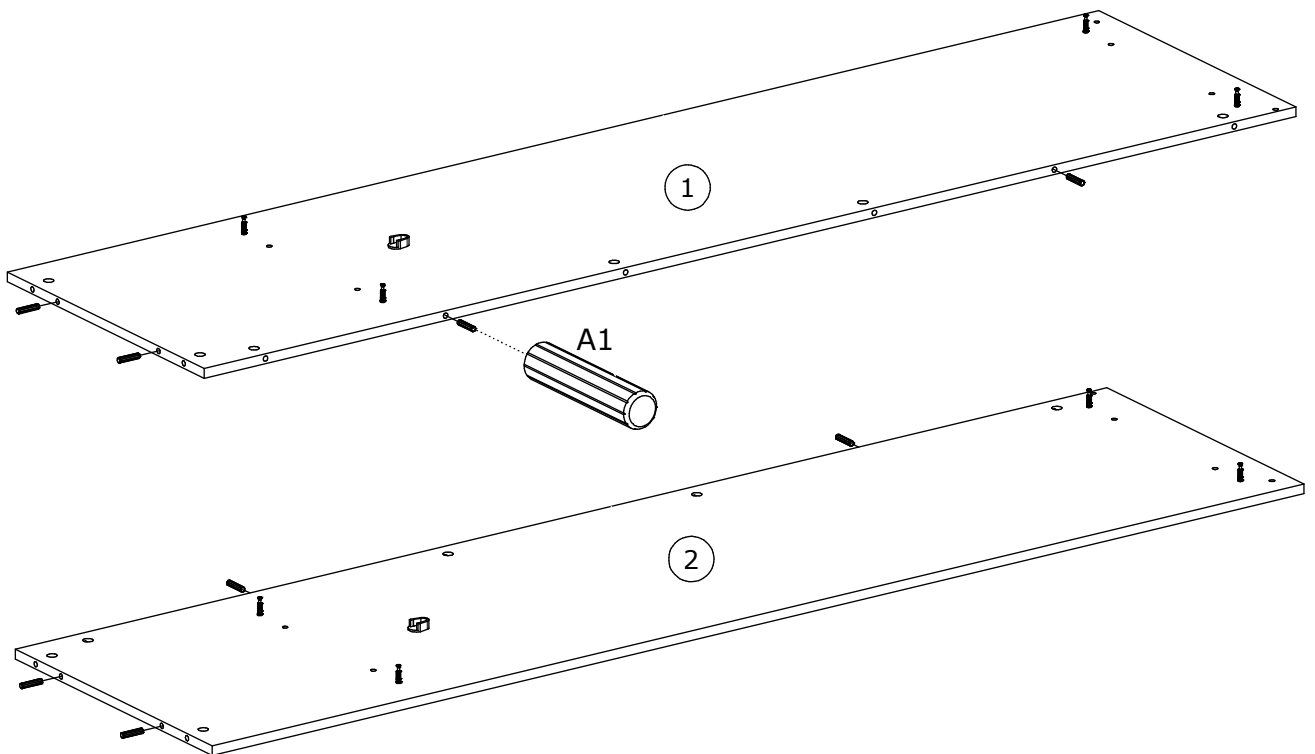
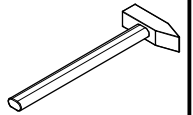


14

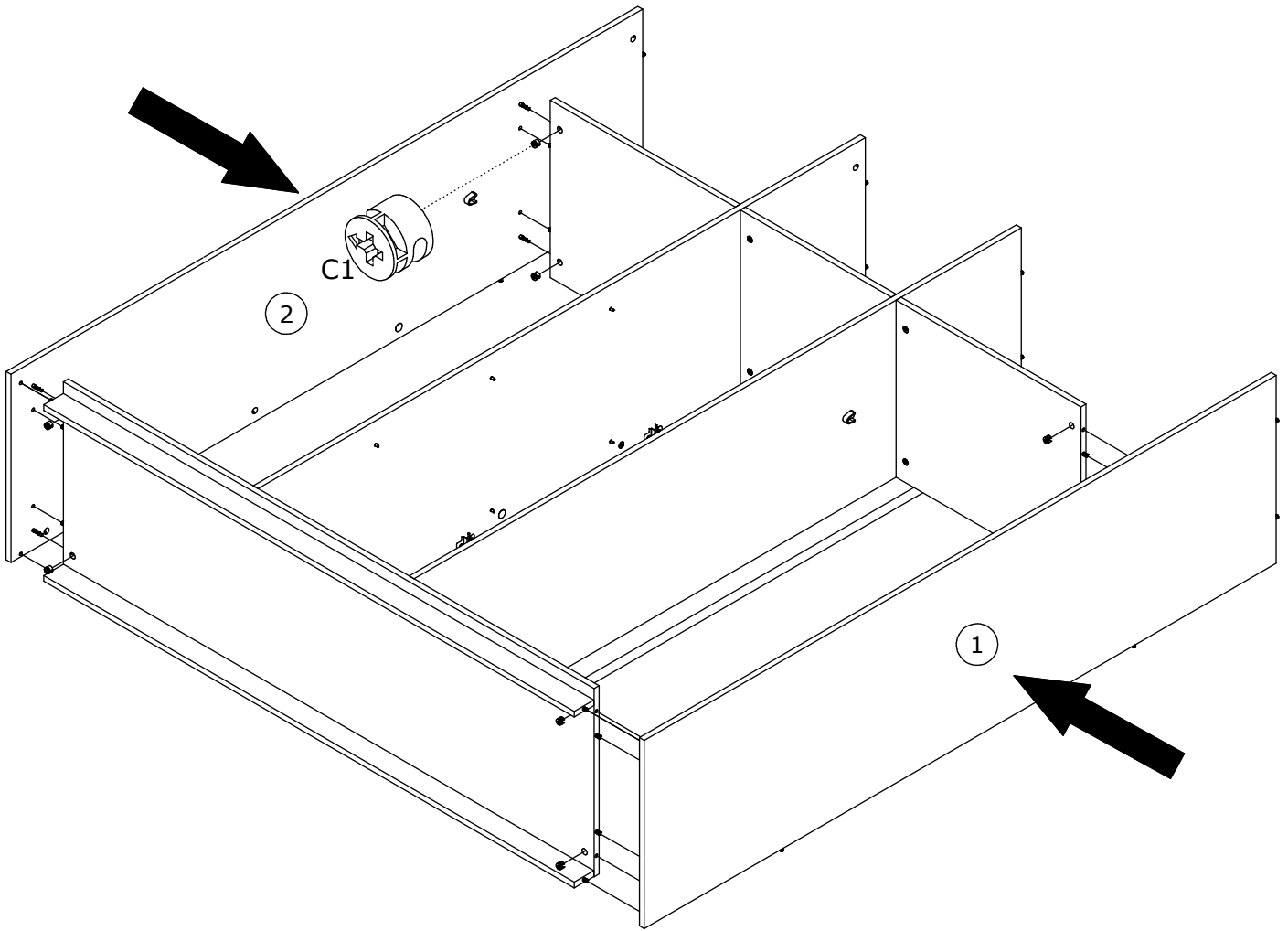
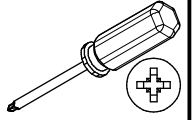
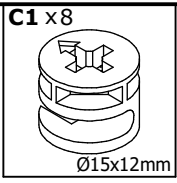
A1 x8



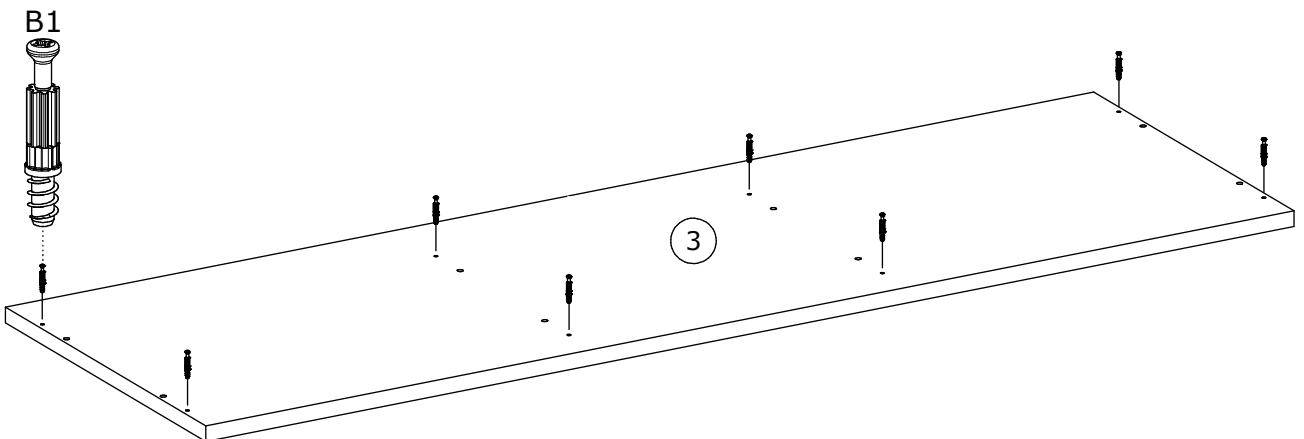
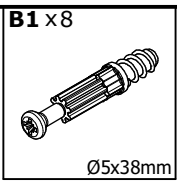
Ø8x35mm



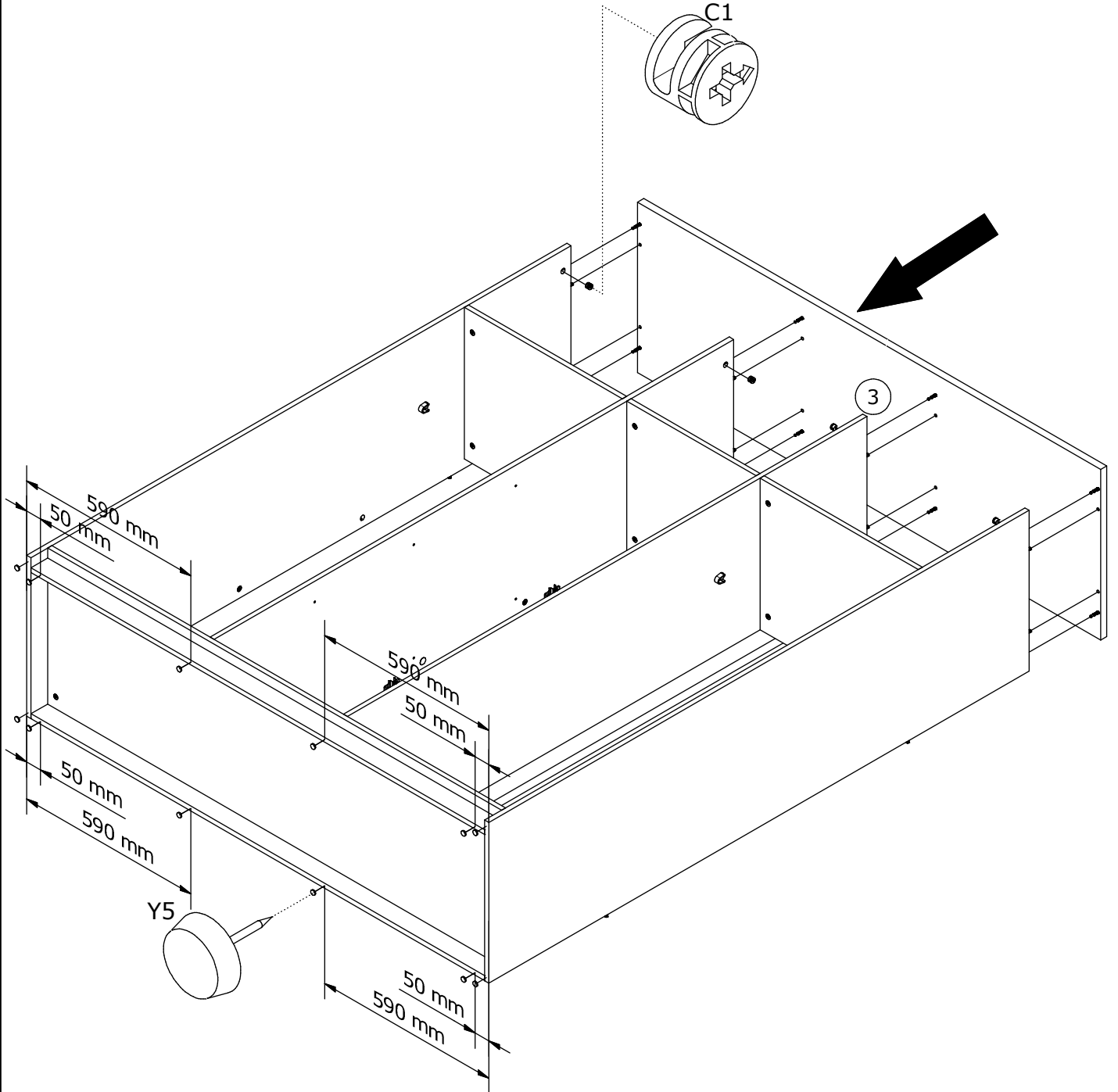
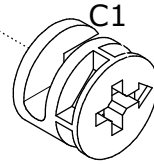
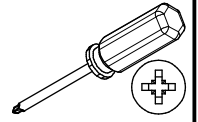
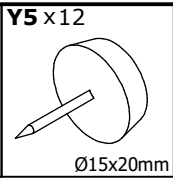
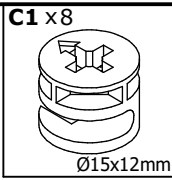
15



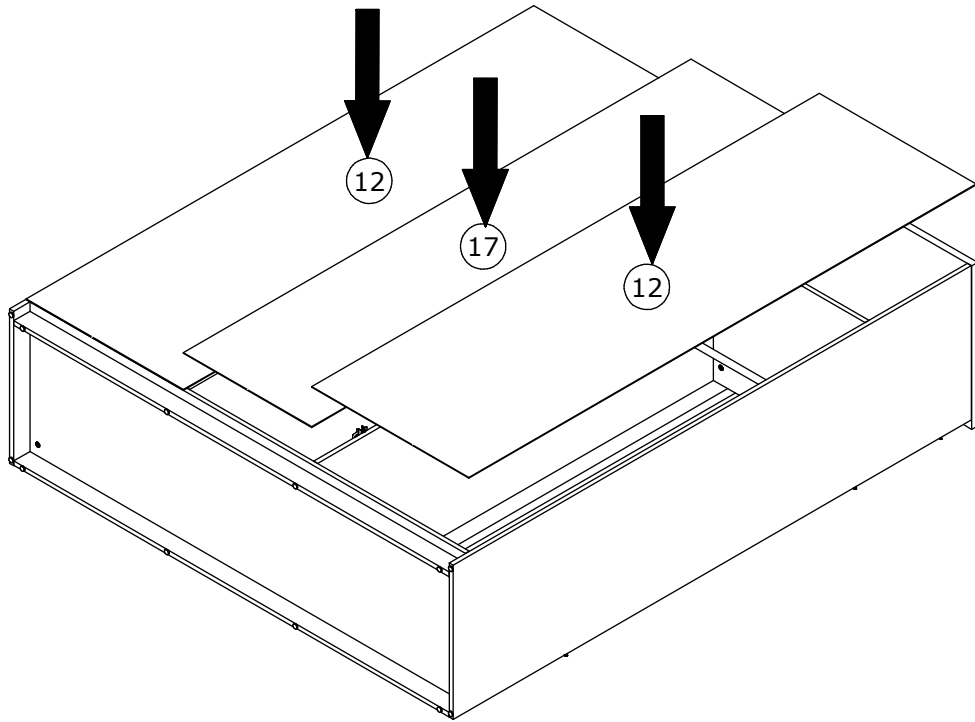
16



17

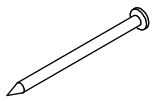


18

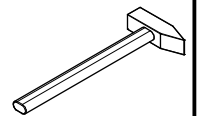
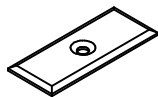


19

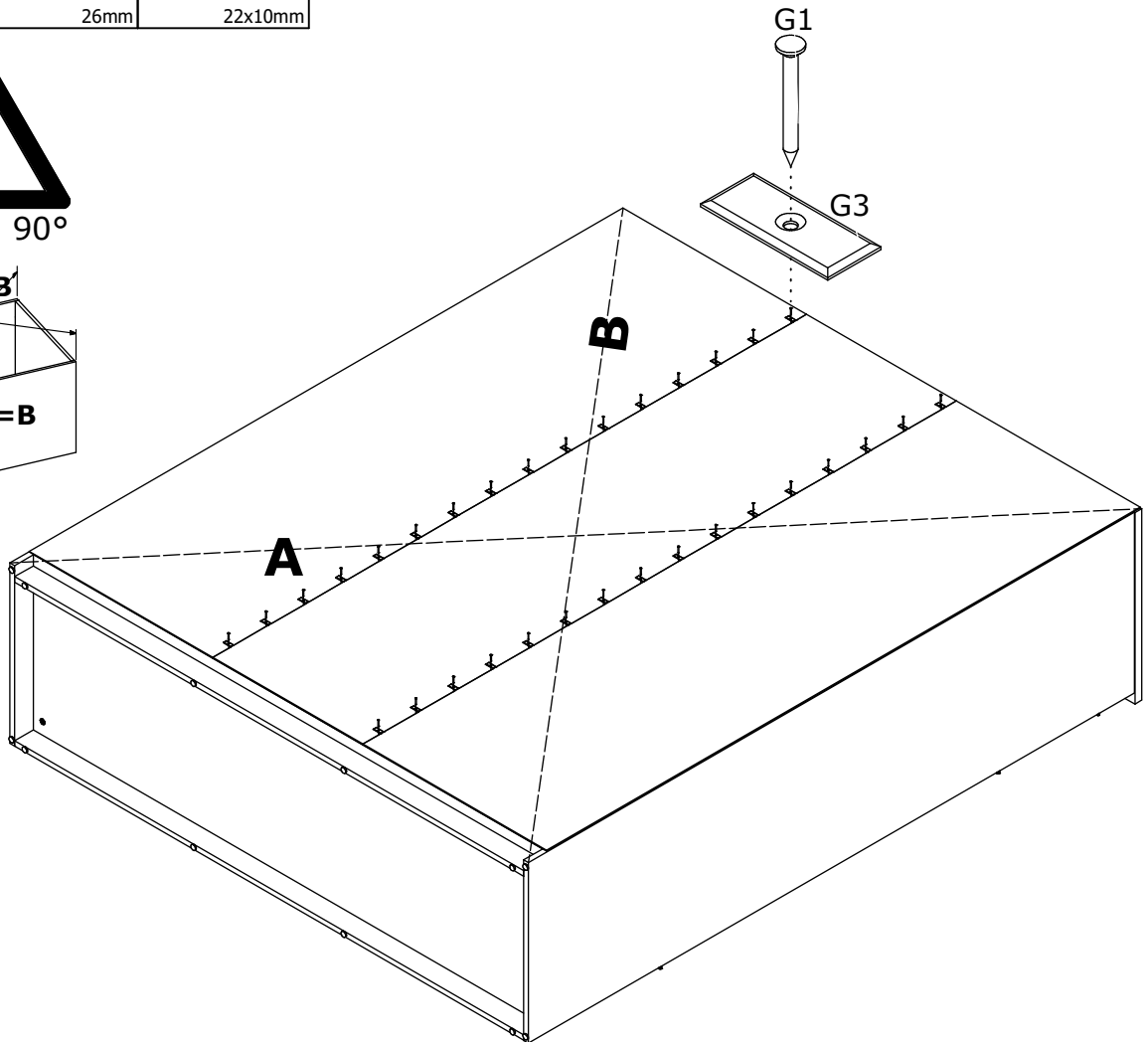
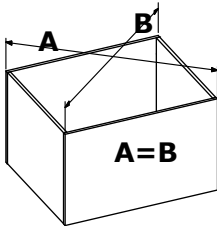
G1 x 32



G3 x 32

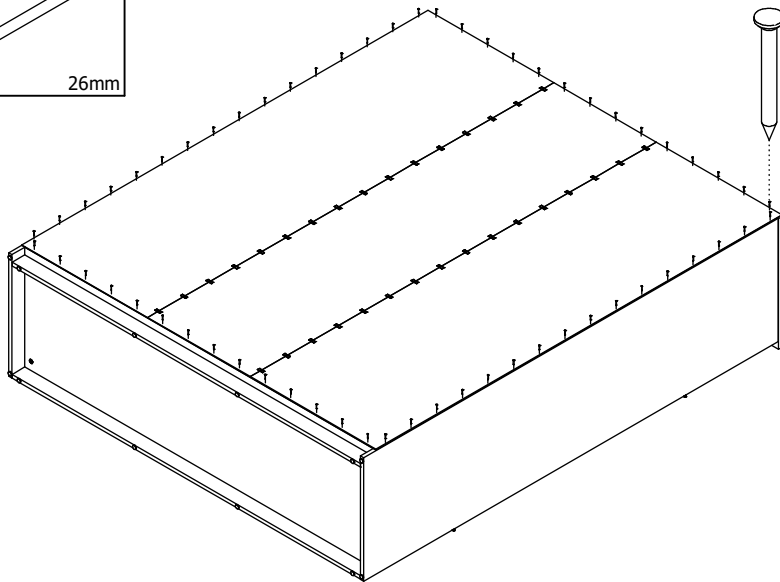
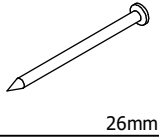


$A=B \equiv 90^\circ$

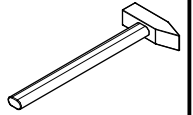


20

G1 x 60

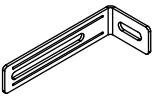


G1



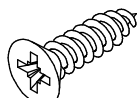
21

T4 x 2

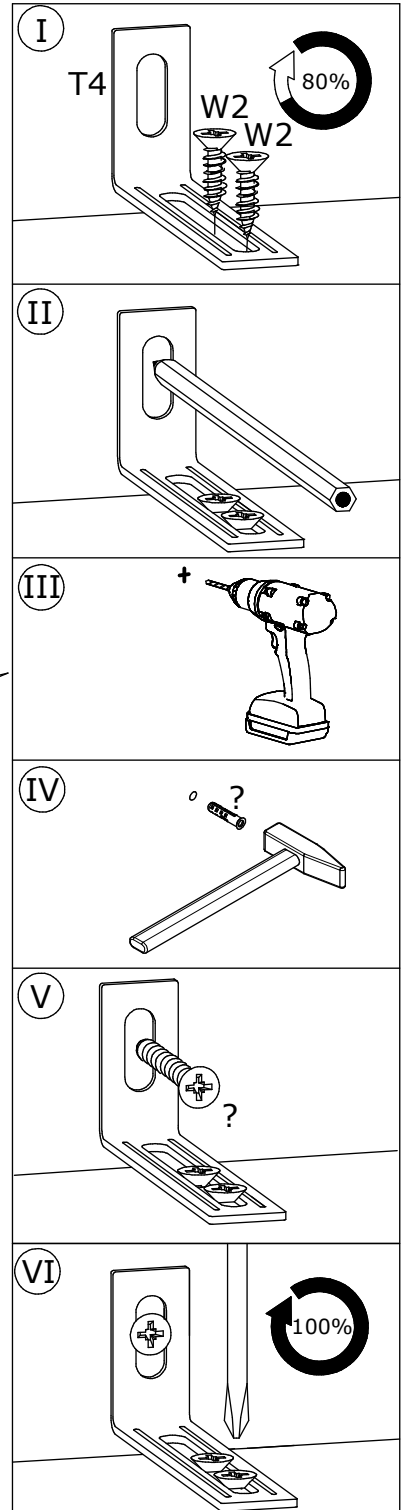
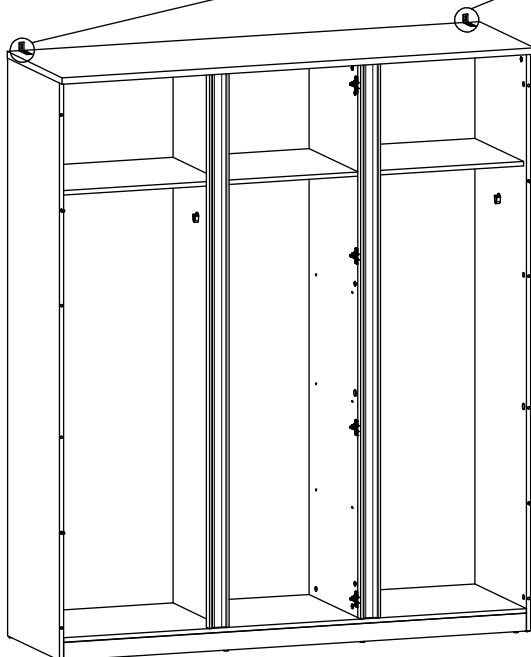
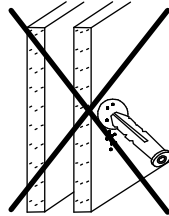
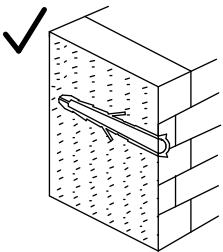
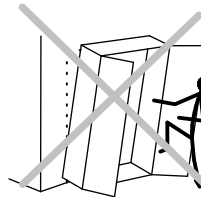
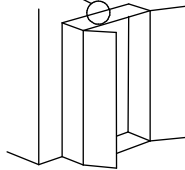
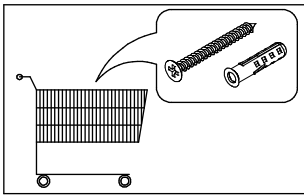
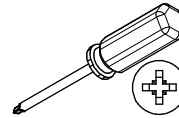


75x28x16 mm

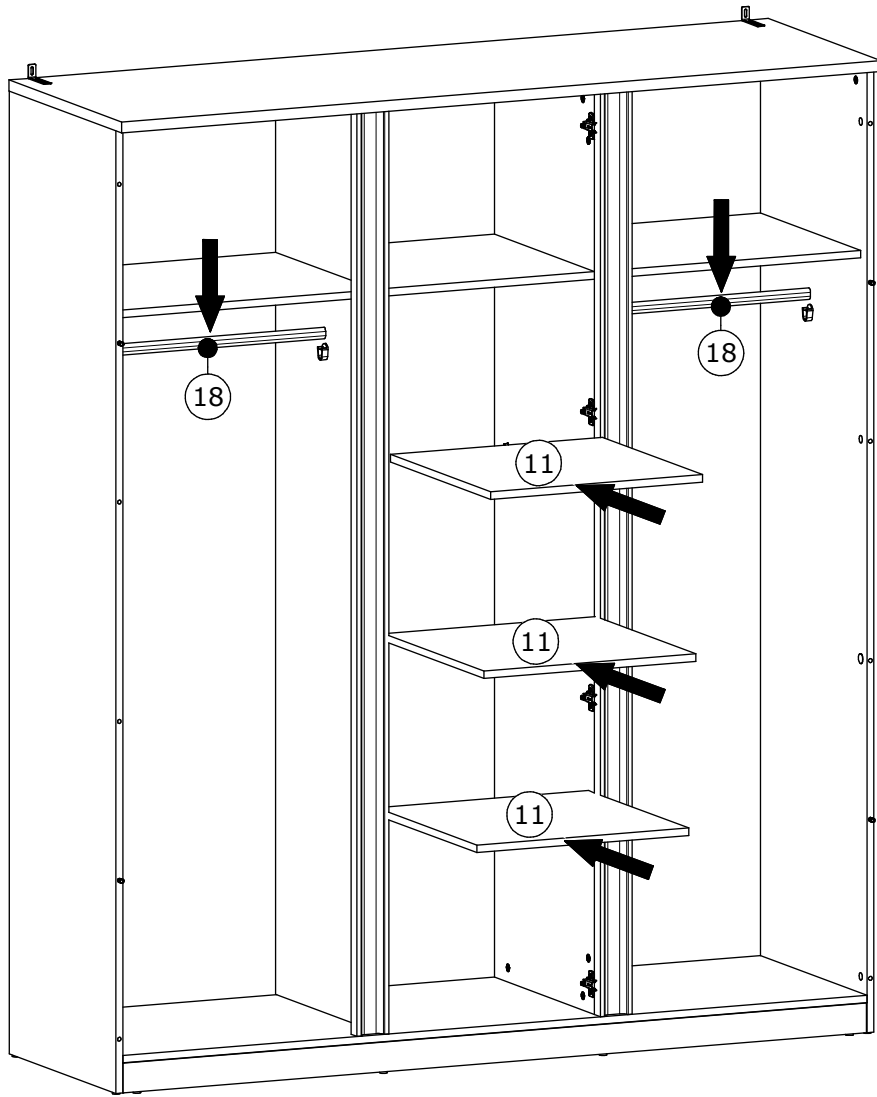
W2 x 4



Ø3,5x16mm

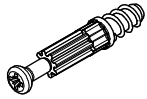


22

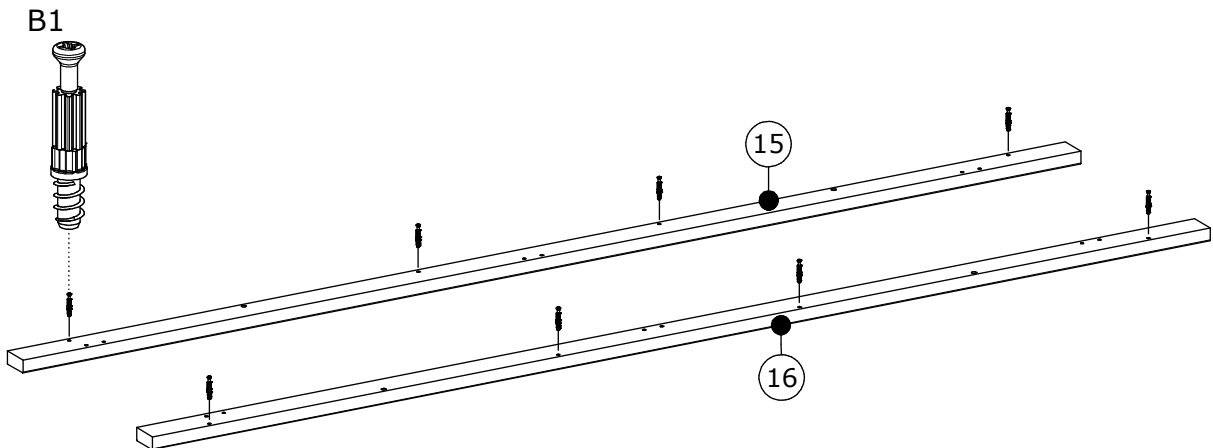
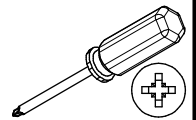


23

B1 x 8

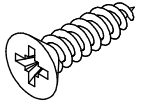


Ø5x38mm



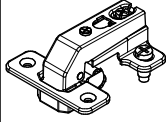
24

W2x12

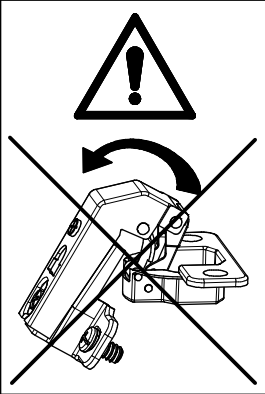
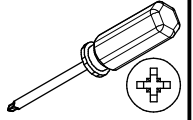


Ø3,5x16mm

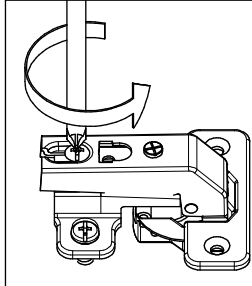
Z6 x6



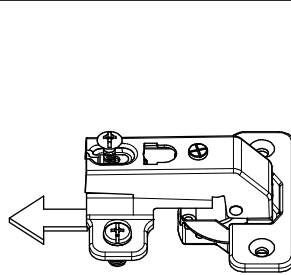
Ø35mm, 90°



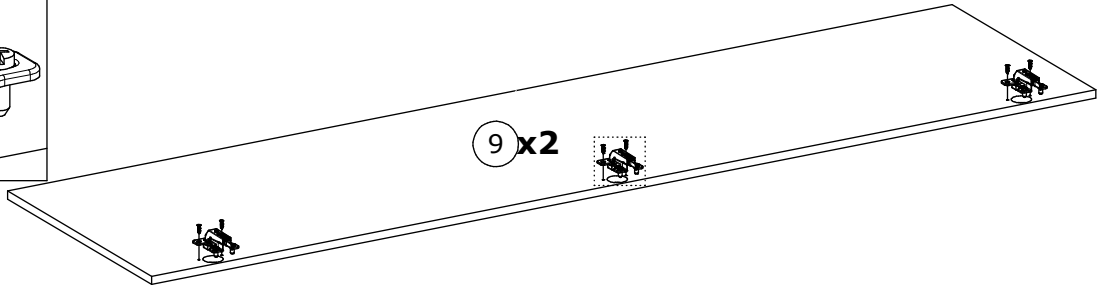
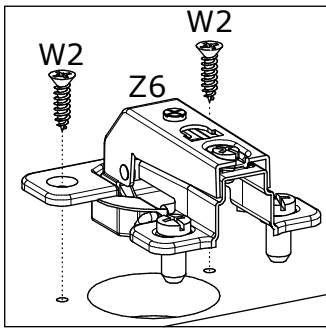
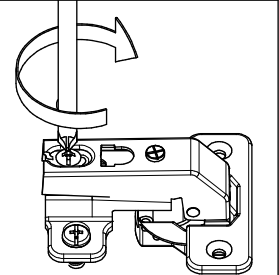
I



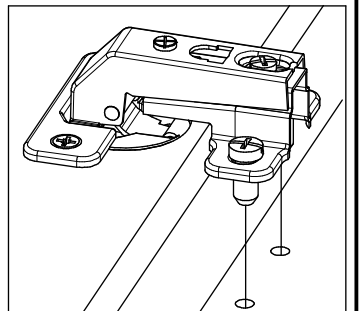
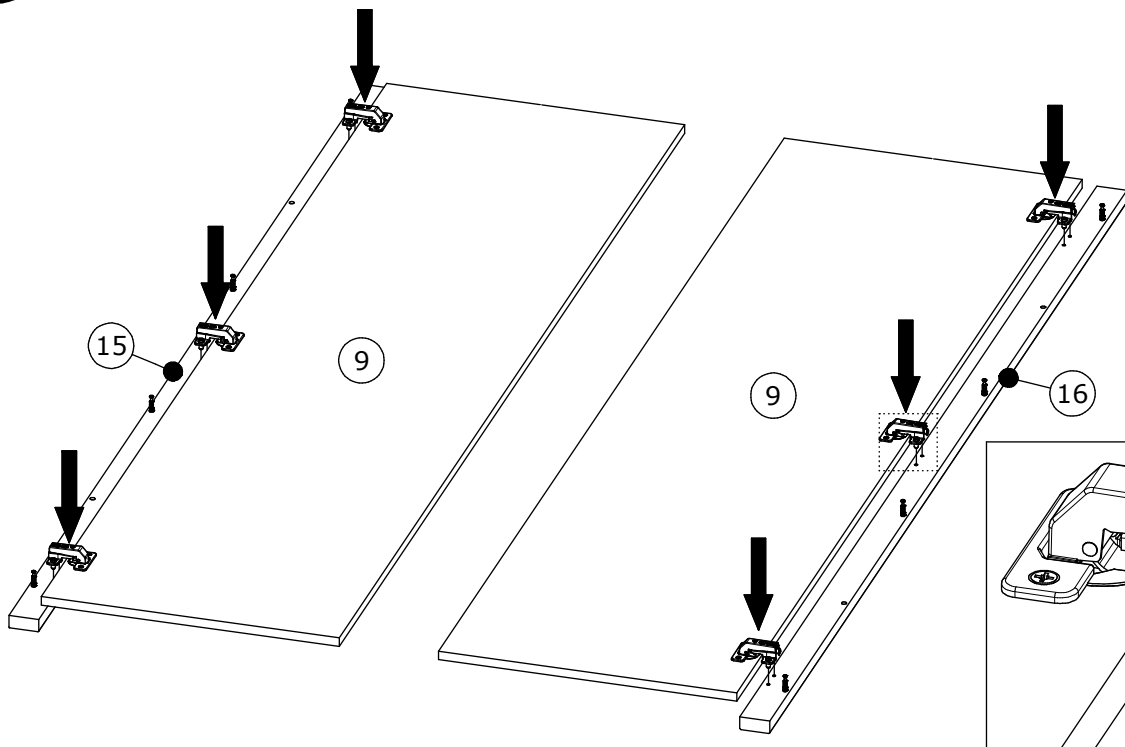
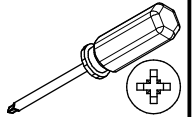
II



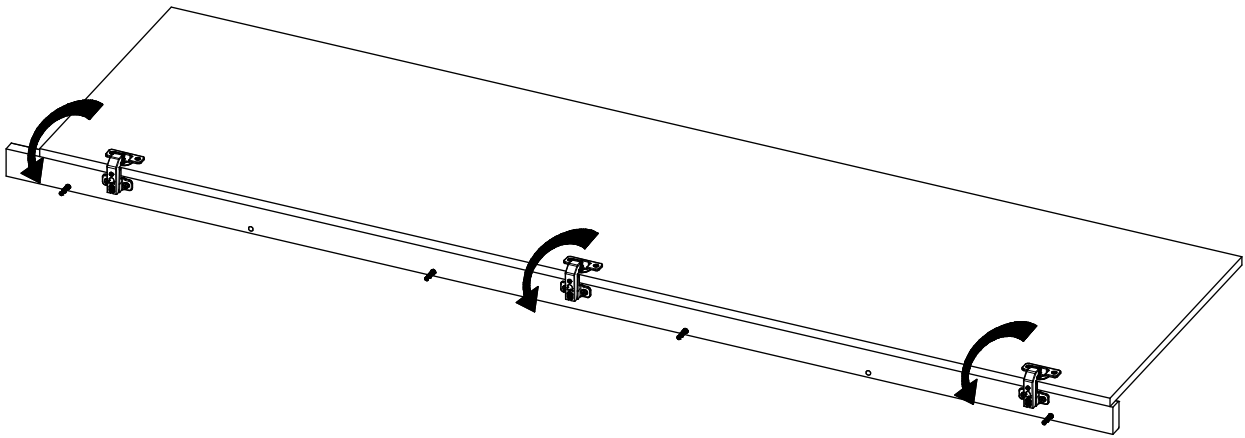
III



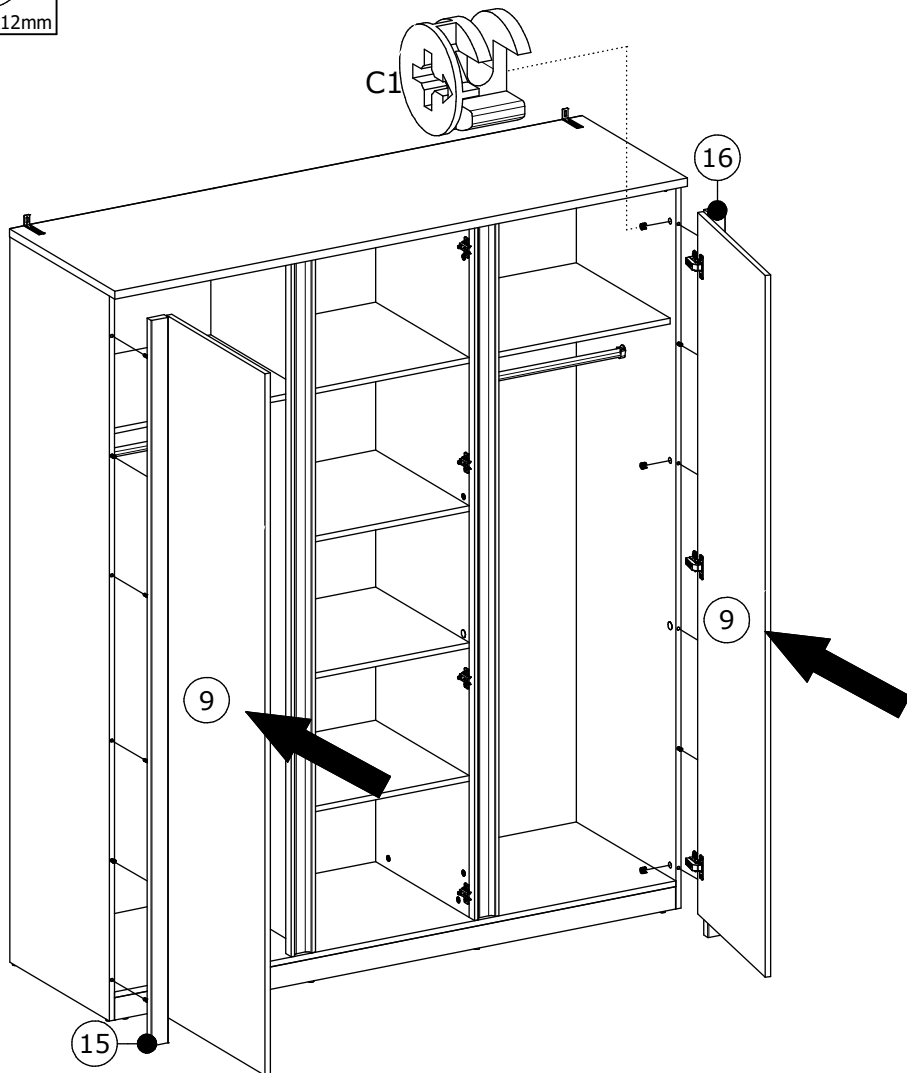
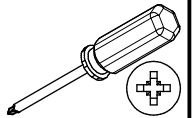
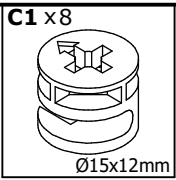
25



26

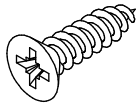


27



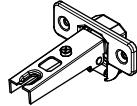
28

W2x8

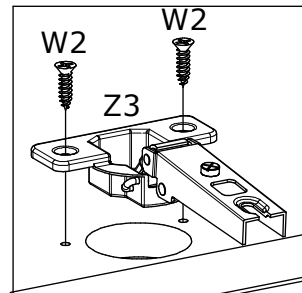
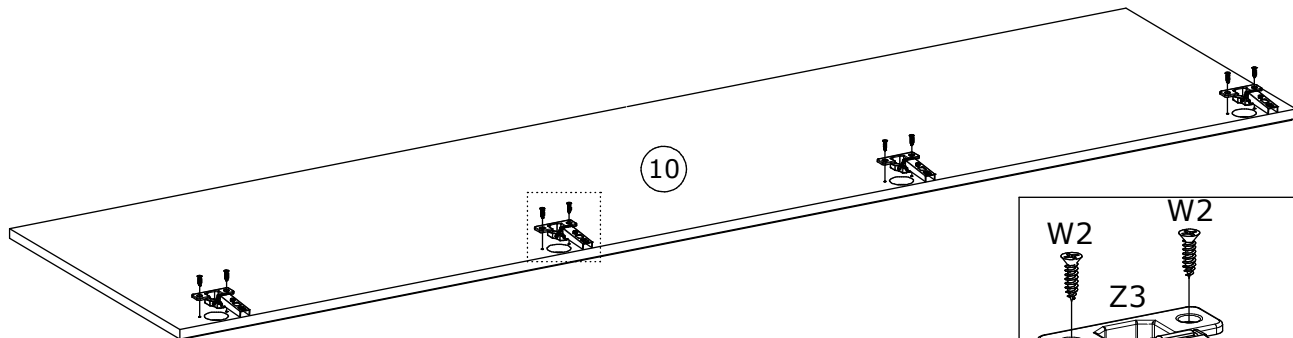
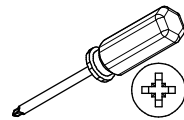


Ø3,5x16mm

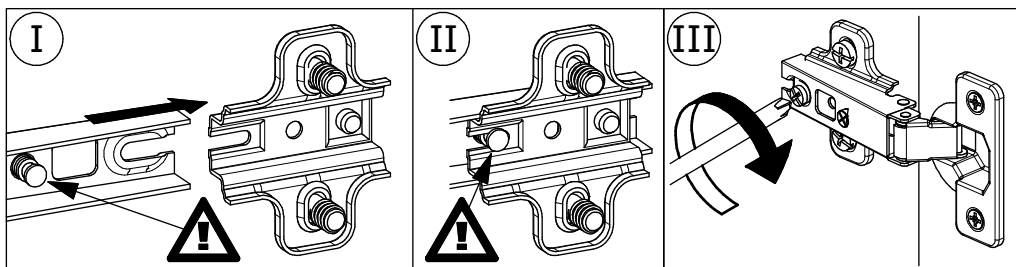
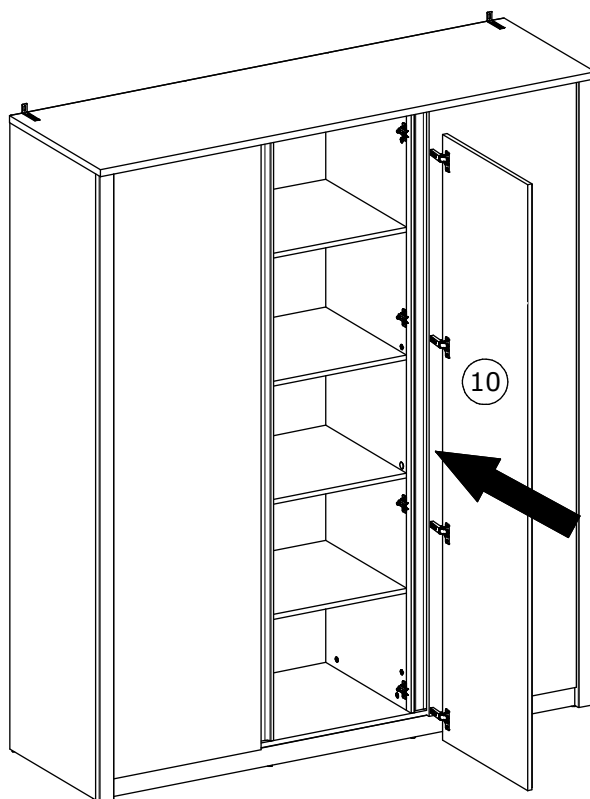
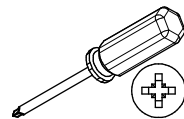
Z3 x4



Ø35, ZK0

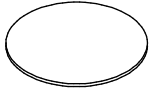


29



30

J x 40

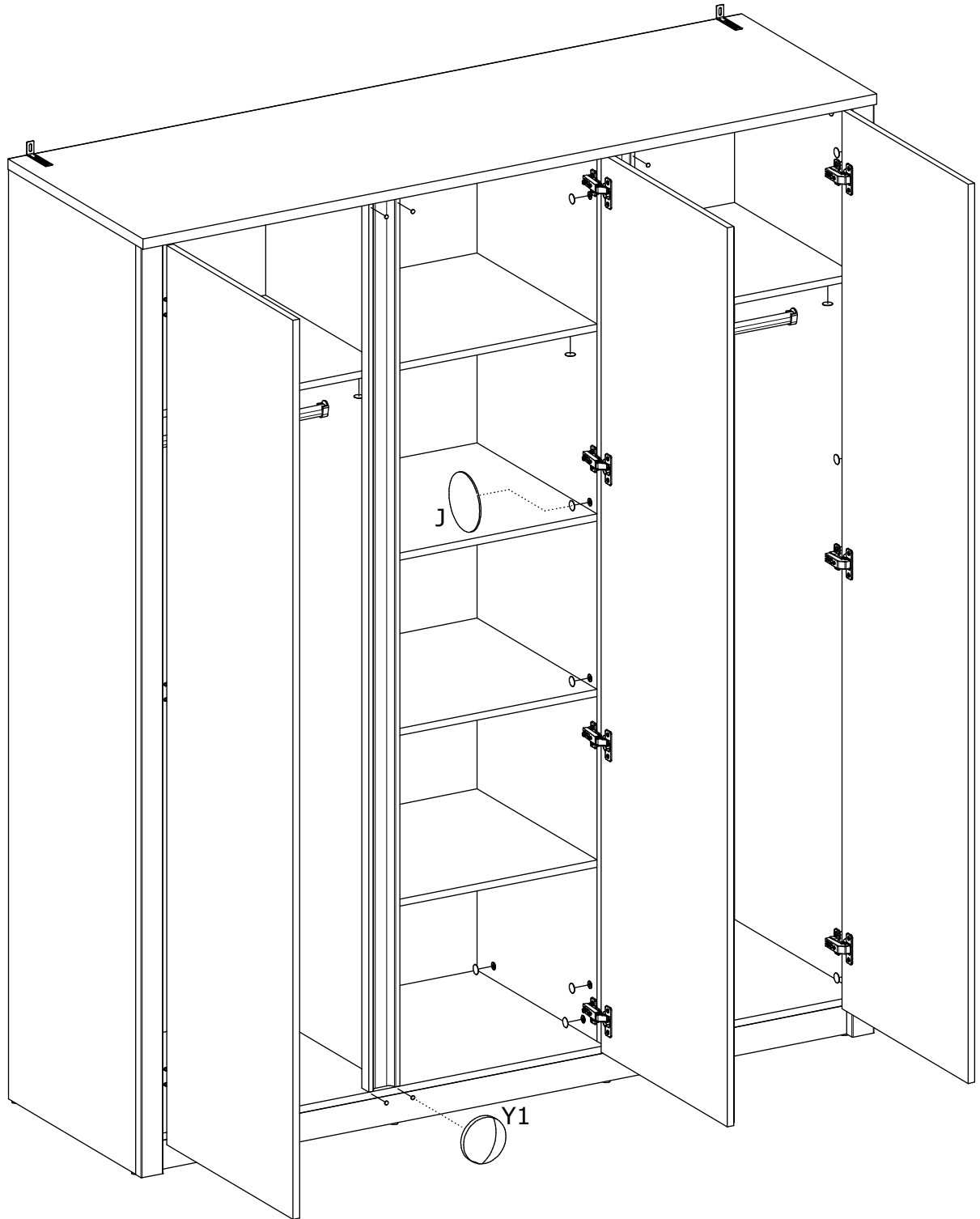


Ø21mm

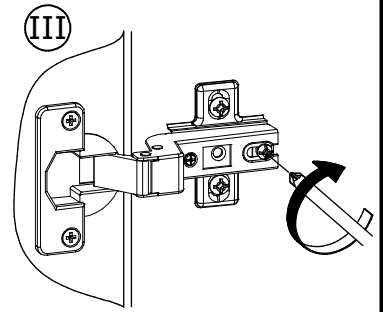
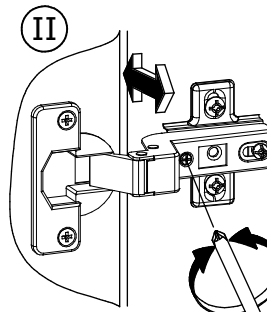
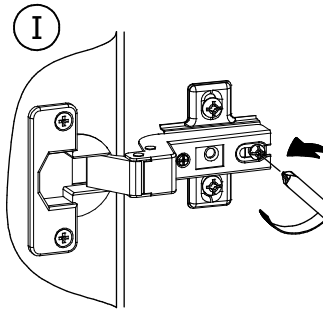
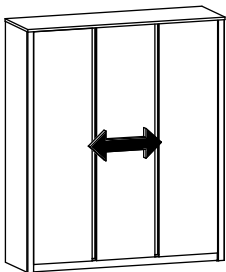
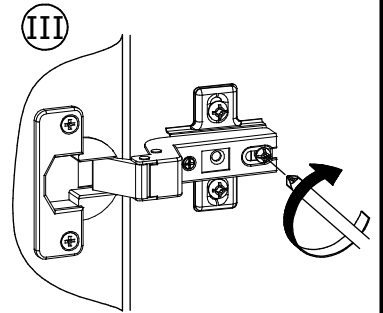
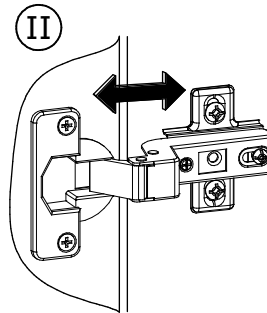
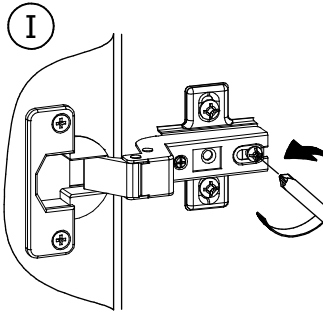
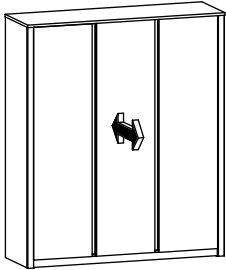
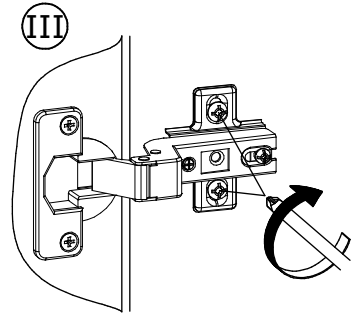
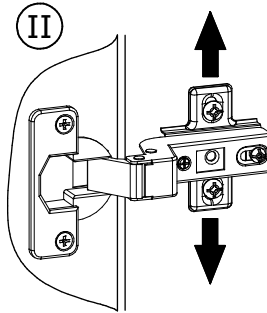
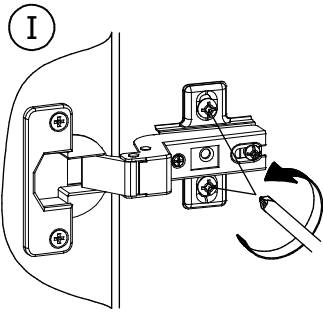
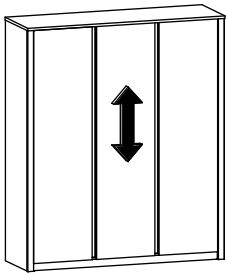
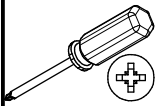
Y1 x 6



Ø8x1,5mm



31



32

