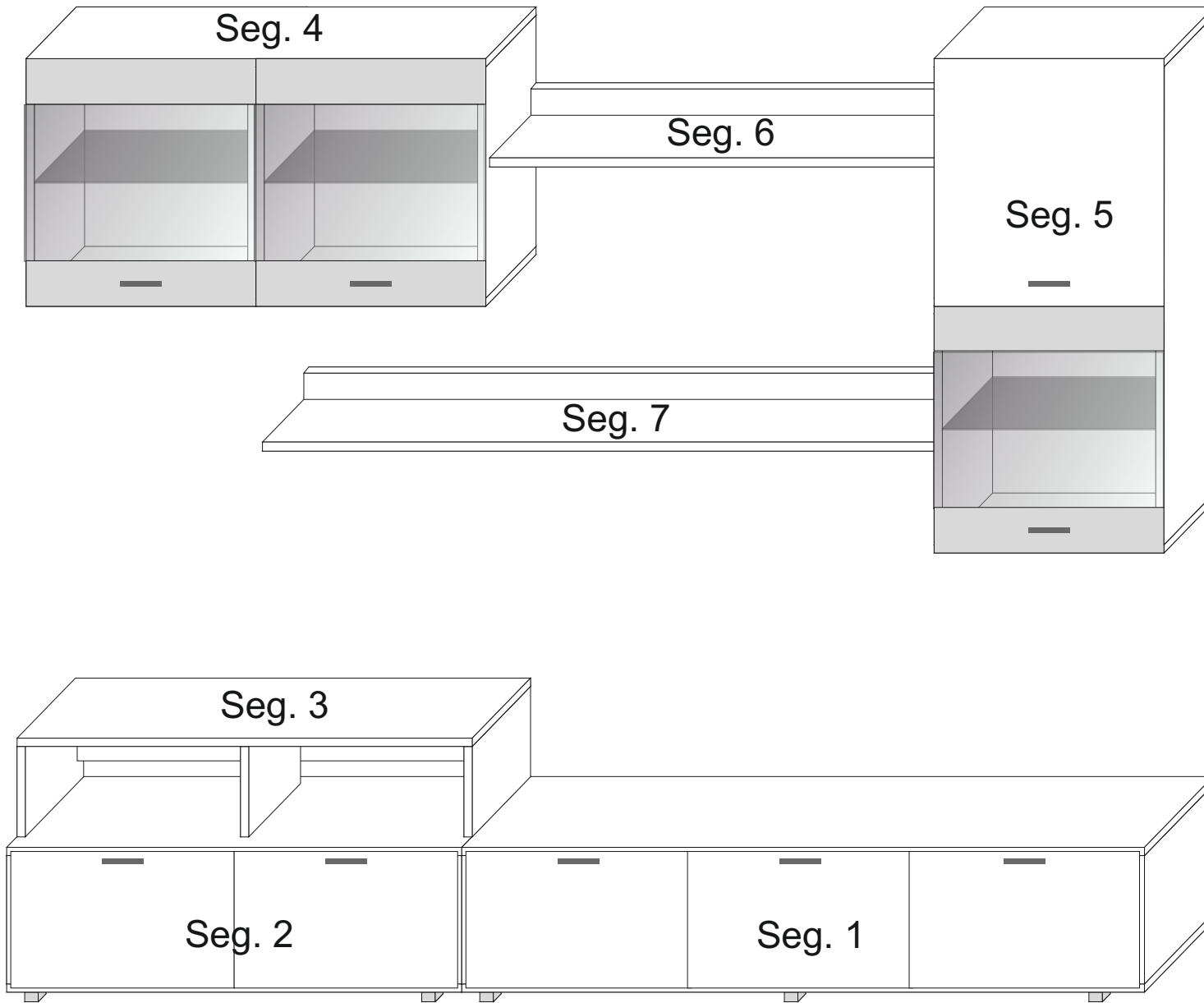
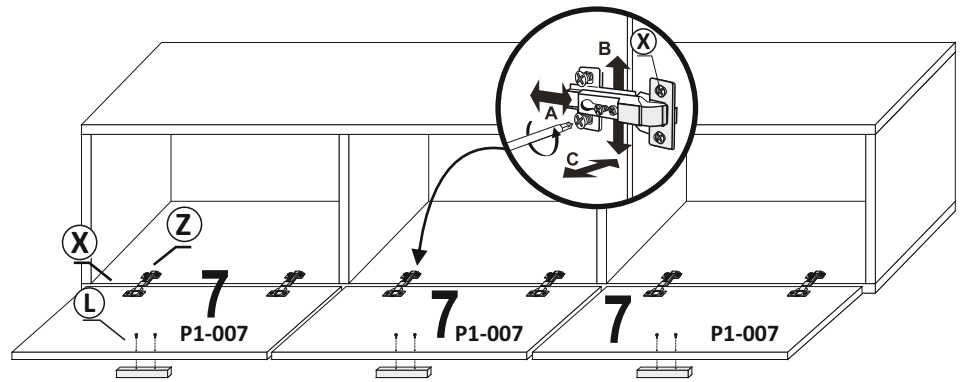
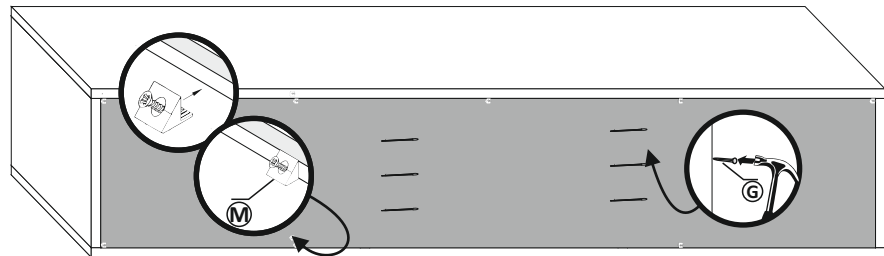
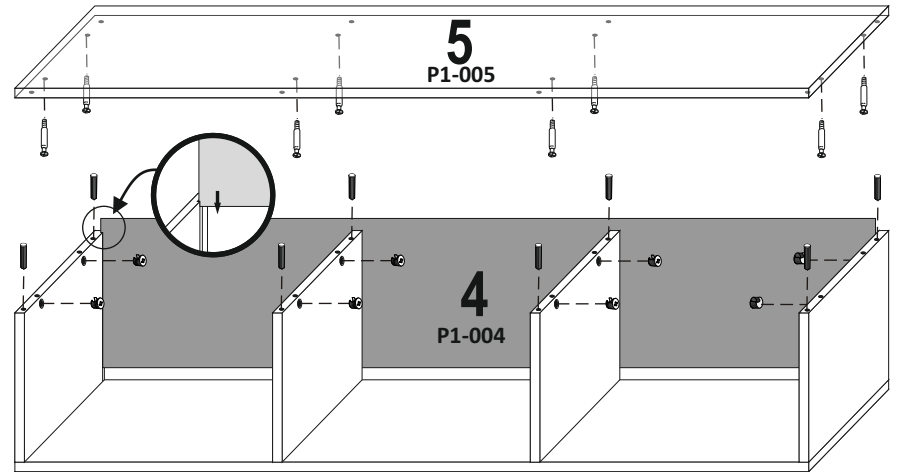
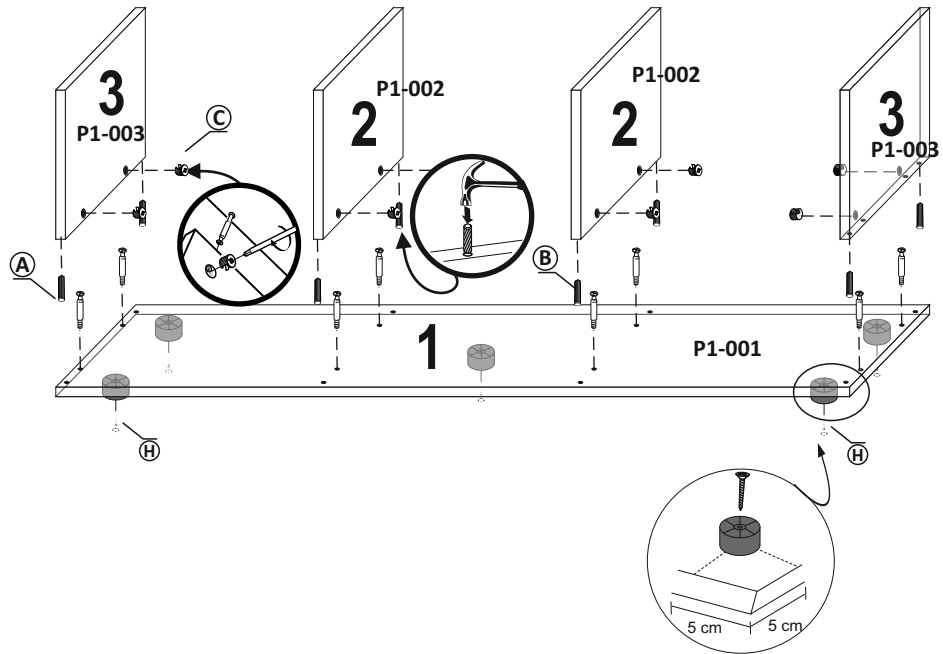





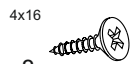

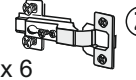

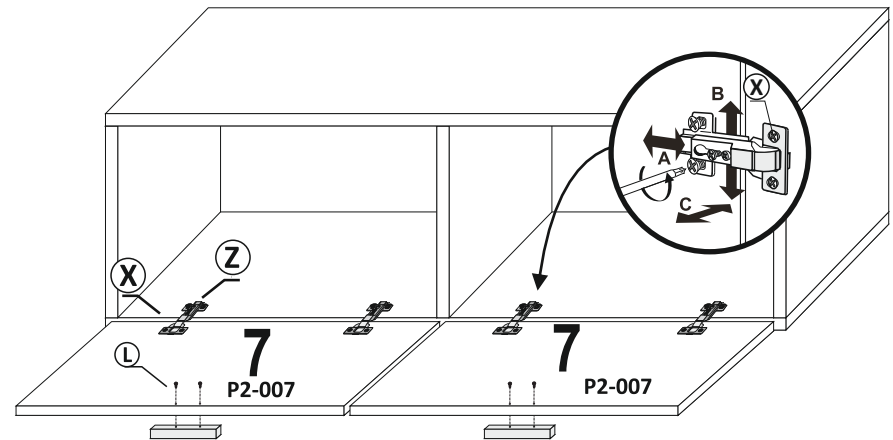
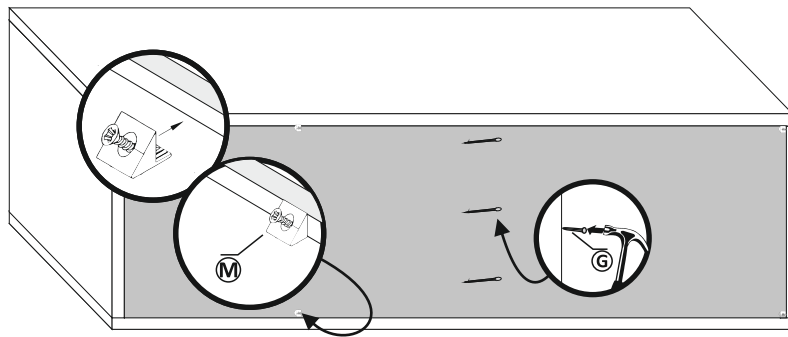
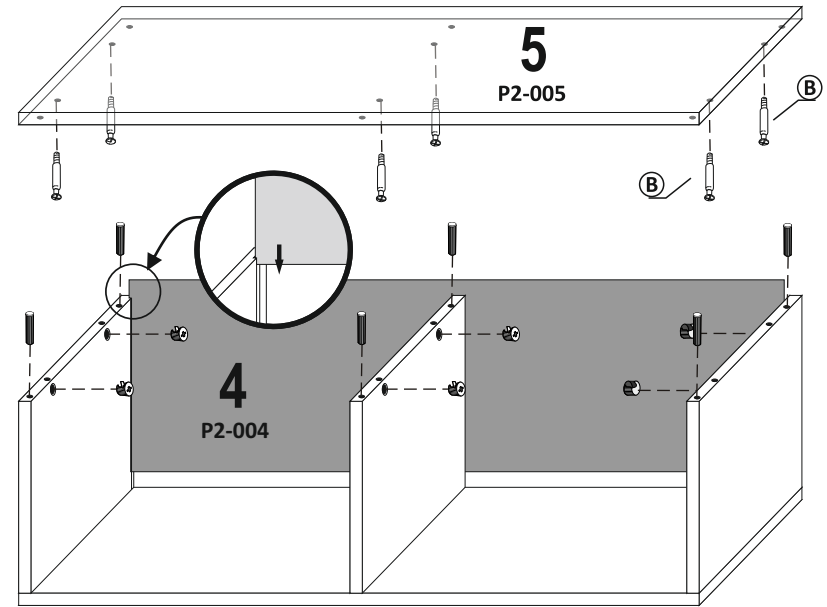
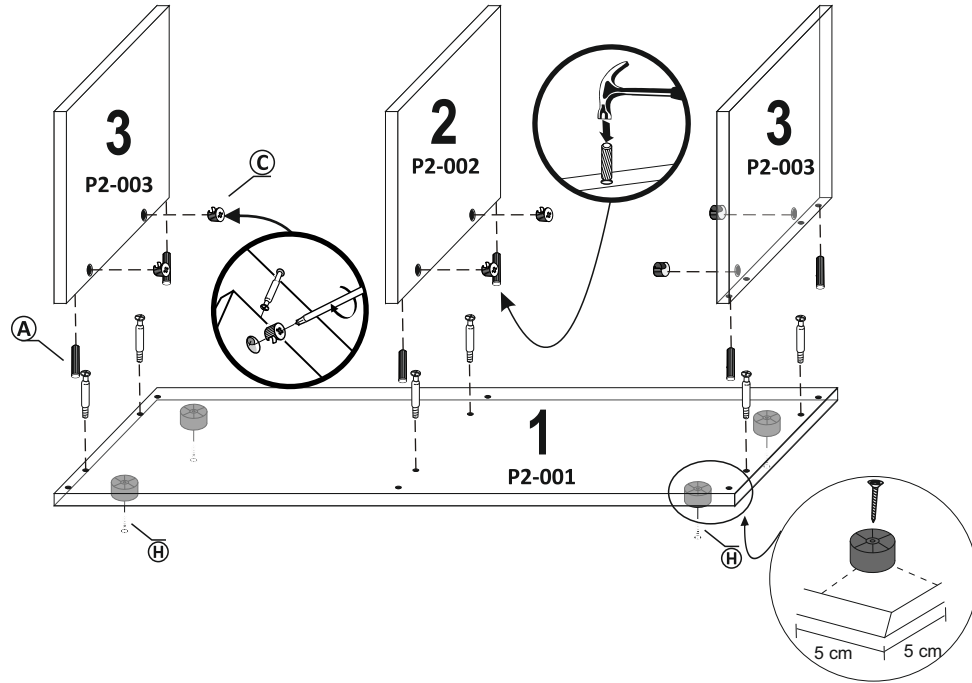




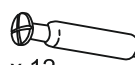





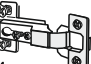

System BETA

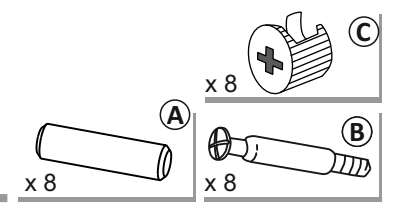
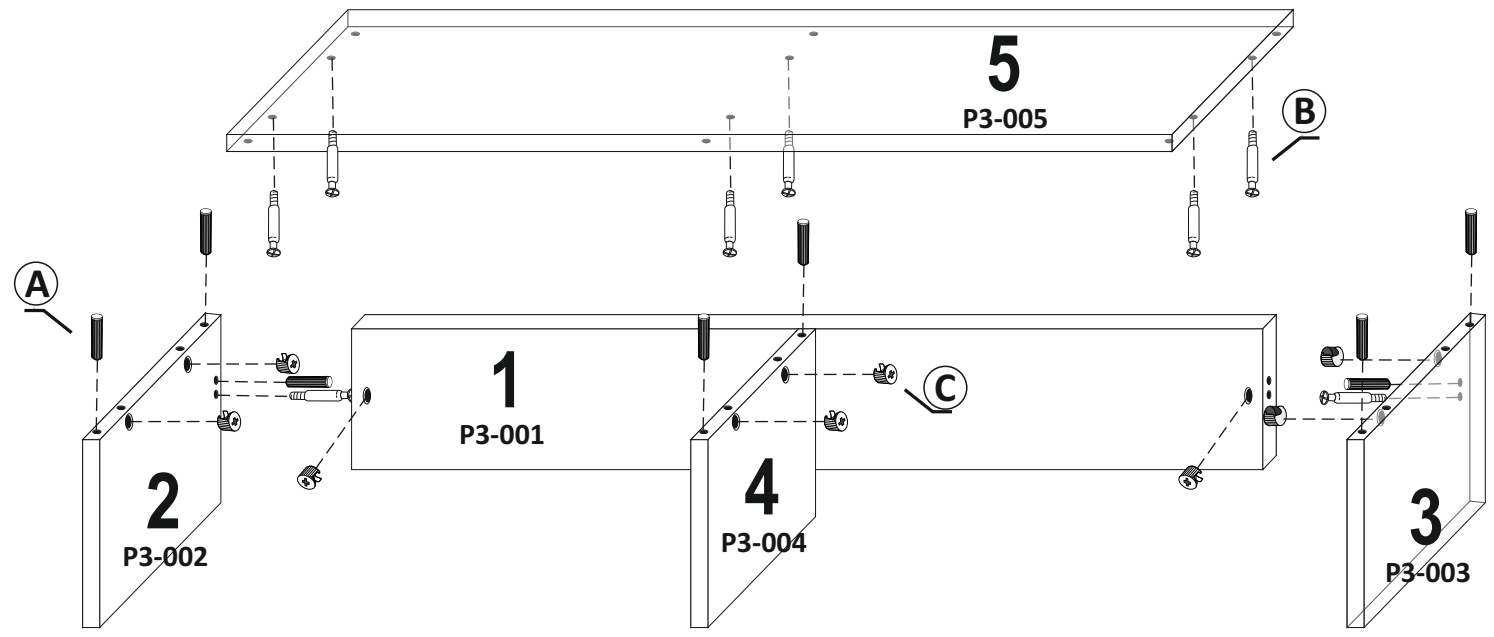


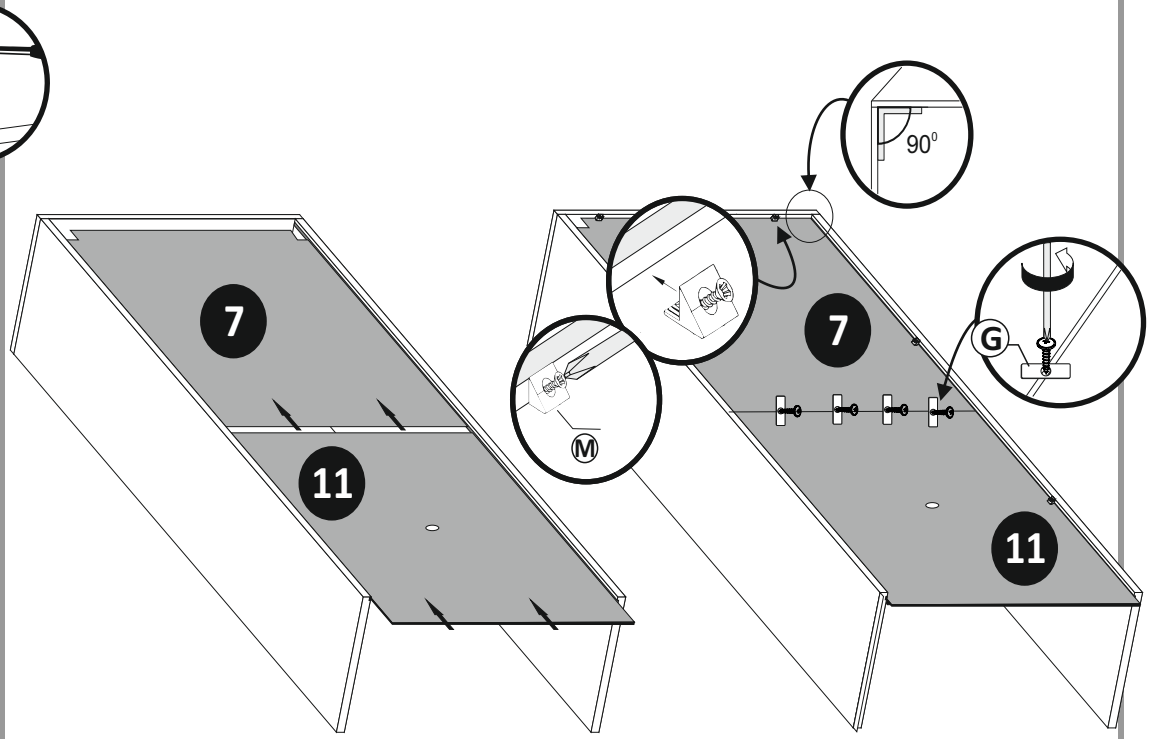
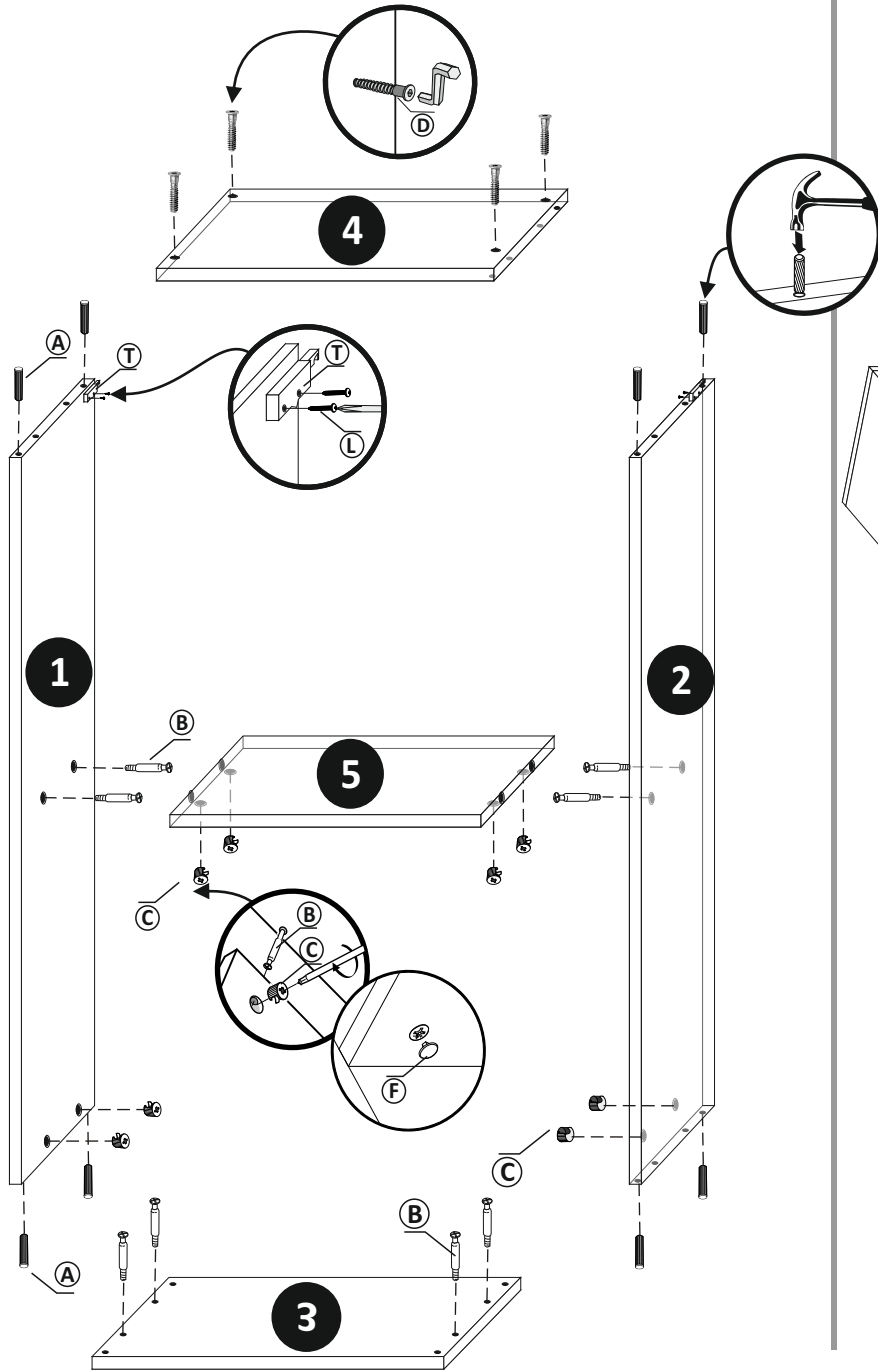


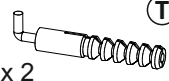

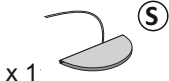
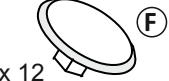
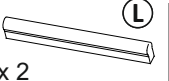
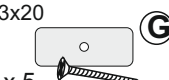



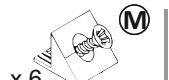

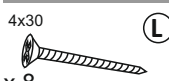
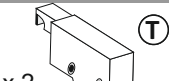
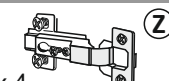

- | | | | |
|--------------------------------------------------------------------------------------------|------------------------------------------------------------------------------------------------|------------------------------------------------------------------------------------------------|--------------------------------------------------------------------------------------------|
|  x 16 |  x 16 |  4x30 x 6 |  x 16 |
|  x 4 |  4x16 x 8 |  x 8 |  x 6 |
| | |  x 5 | |

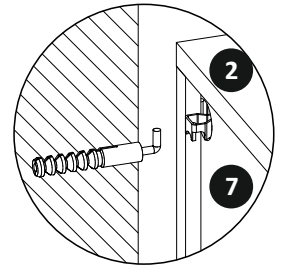
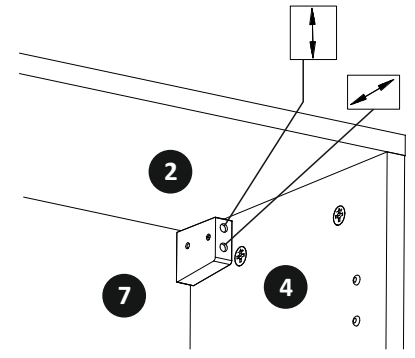
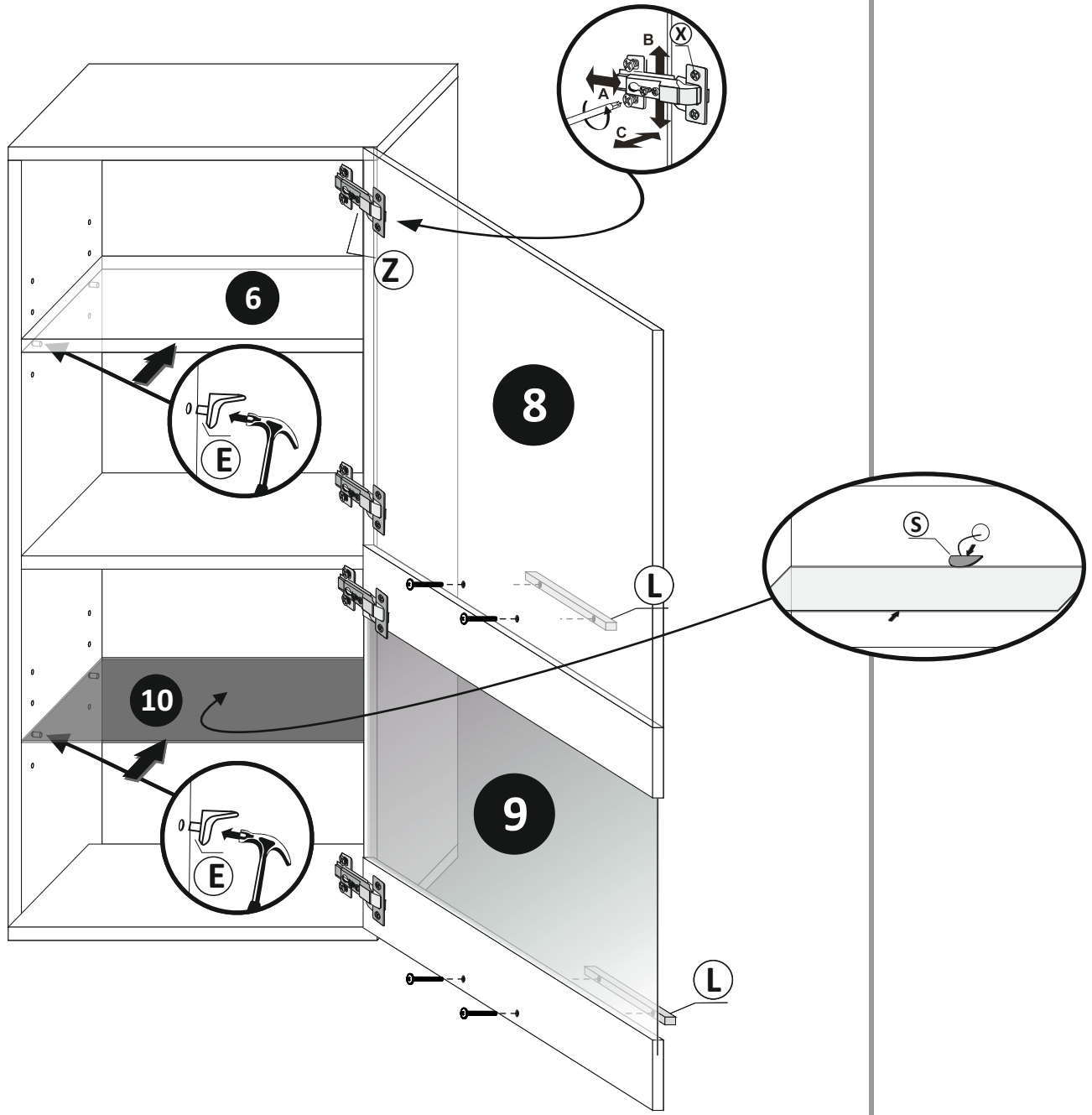


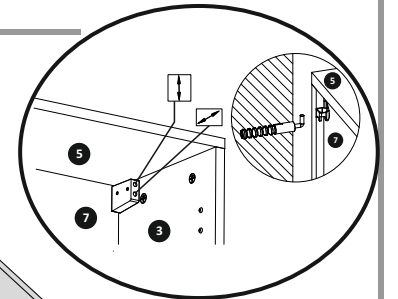
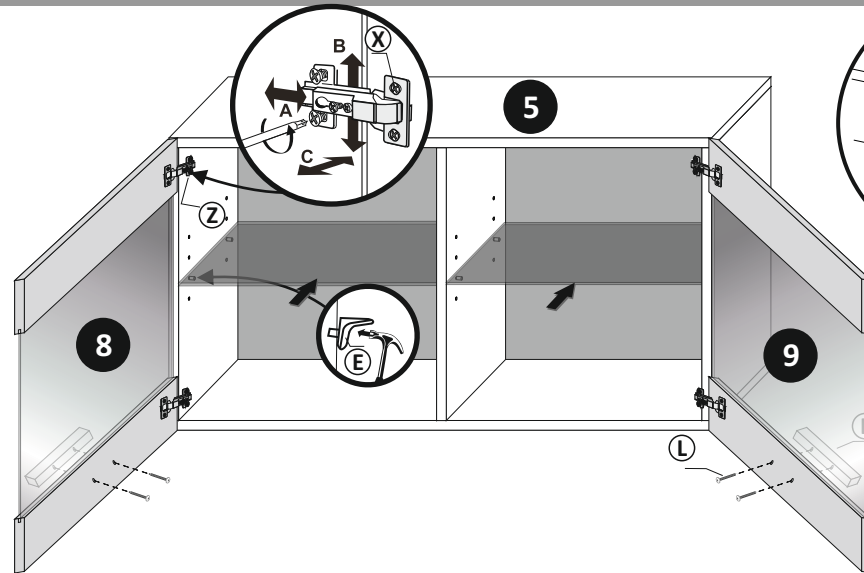
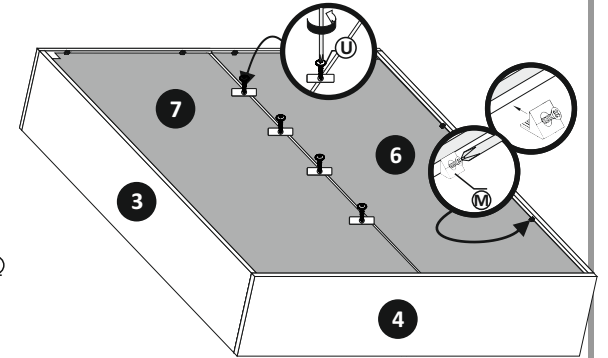
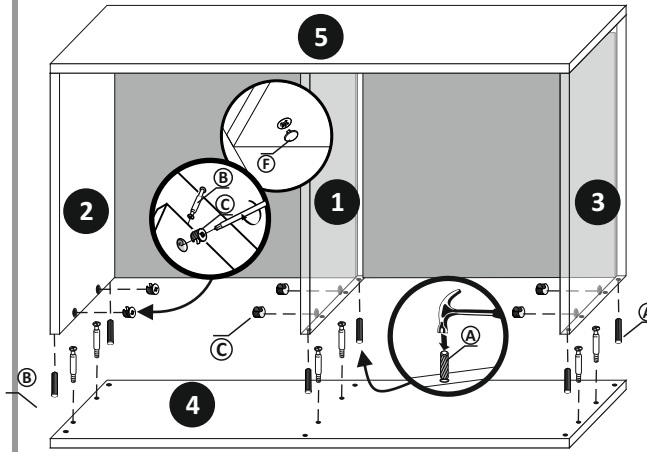
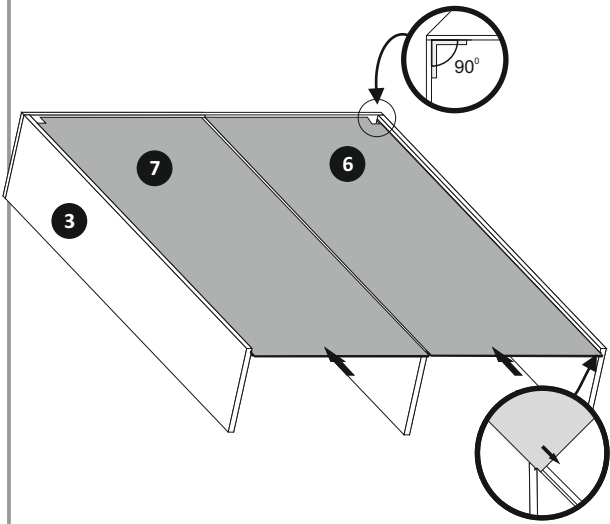
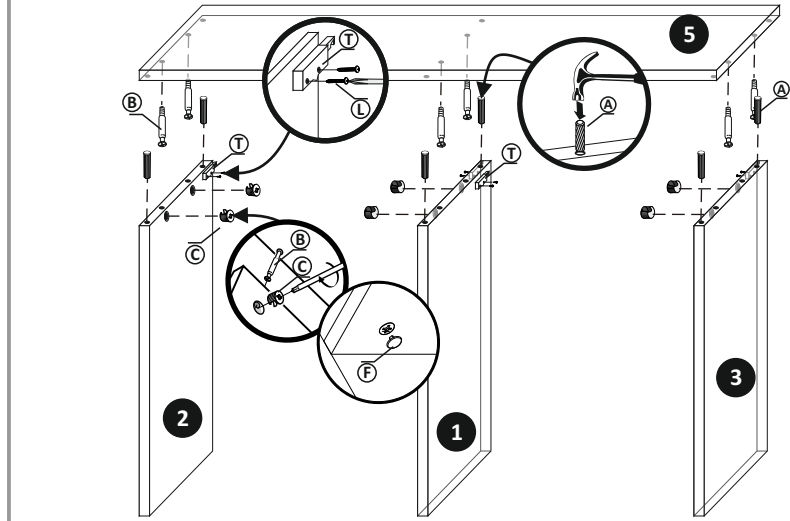
- | | | | | |
|--------------------------------------------------------------------------------------------|------------------------------------------------------------------------------------------------|--------------------------------------------------------------------------------------------|--------------------------------------------------------------------------------------------|--------------------------------------------------------------------------------------------|
|  x 12 |  4x30 x 4 |  x 12 |  x 12 |  x 12 |
|  x 10 |  4x16 x 8 |  x 6 |  x 4 |  x 4 |



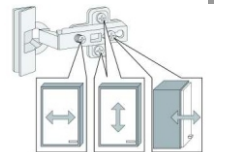


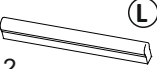
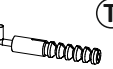


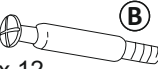



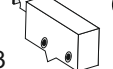



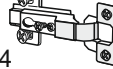

- | | | | | |
|------------------------------------------------------------------------------------------------------|------------------------------------------------------------------------------------------------------|----------------------------------------------------------------------------------------------|-----------------------------------------------------------------------------------------------|----------------------------------------------------------------------------------------------|
| 
x 2 | 
x 4 | 
x 1 | 
x 12 | 
x 2 |
| 
3x20
x 5 | 
x 12 | 
x 8 | 
x 8 | 
x 6 |
| 
x 8 | 
4x30
x 8 | 
x 2 | 
x 4 | 
x 8 |





Türen einstellen (Scharniere justieren)
 Adjusting the doors (adjusting the hinges)
 Deuren instellen (scharniere afstellen)
 Nastawić drzwi (wyrównać zawiasy)
 Капірляр аярацца (ментэгалін сярэіе аяраць)
 Регуліровка дверей (регуліровка шарніра)



- | | | | | | | |
|---------------------------------------------------------------------------------------------|----------------------------------------------------------------------------------------------|-----------------------------------------------------------------------------------------------|-----------------------------------------------------------------------------------------------|-----------------------------------------------------------------------------------------------|-----------------------------------------------------------------------------------------------|----------------------------------------------------------------------------------------------|
| 
x 2 | 
x 3 | 
x 12 | 
x 12 | 
x 12 | 
x 12 | 
x 6 |
| 
x 1 | 
x 3 | 
x 8 | 
x 10 | 
x 5 | 
x 4 | 
x 8 |

