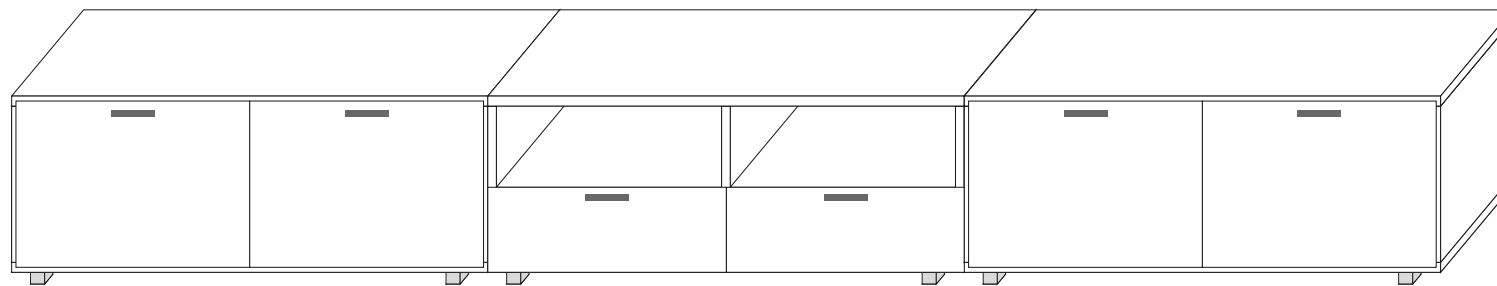
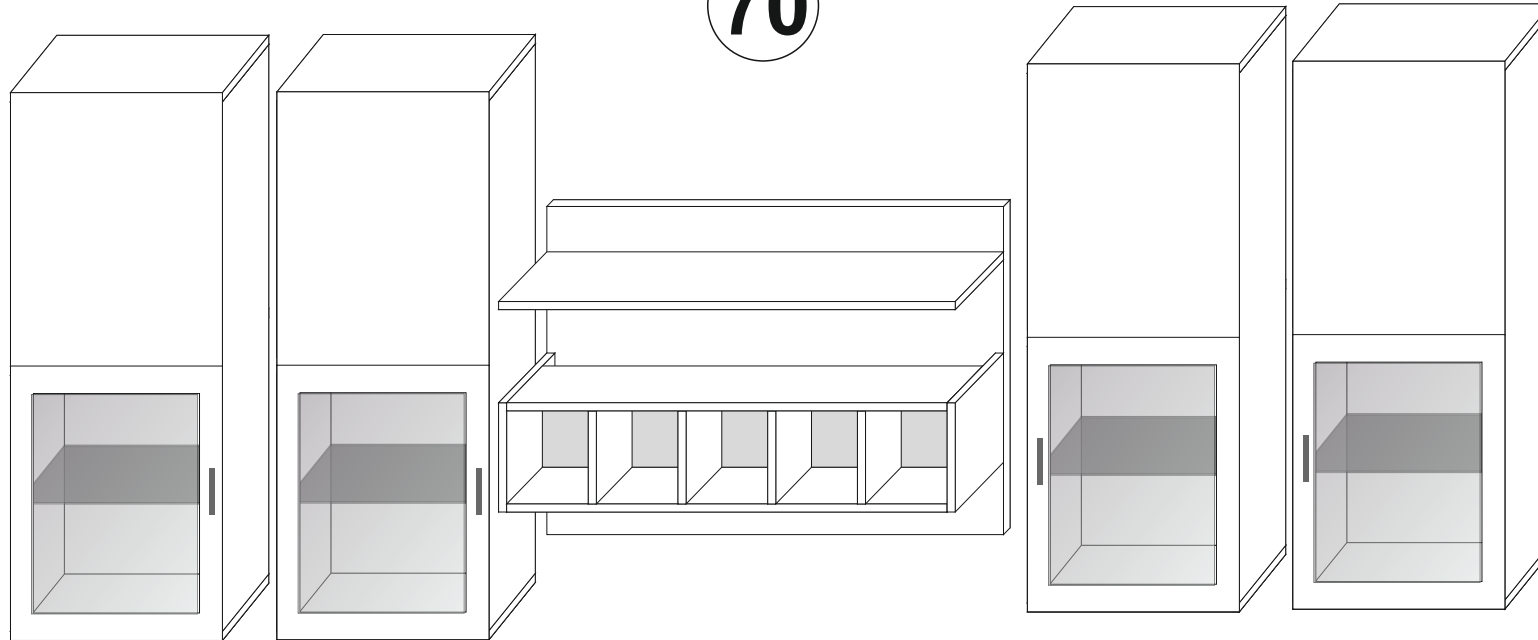


20L 20L

20R 20R

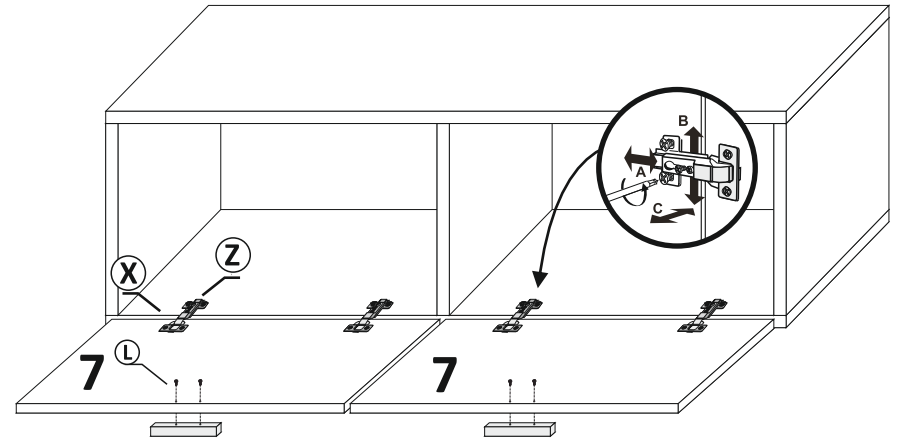
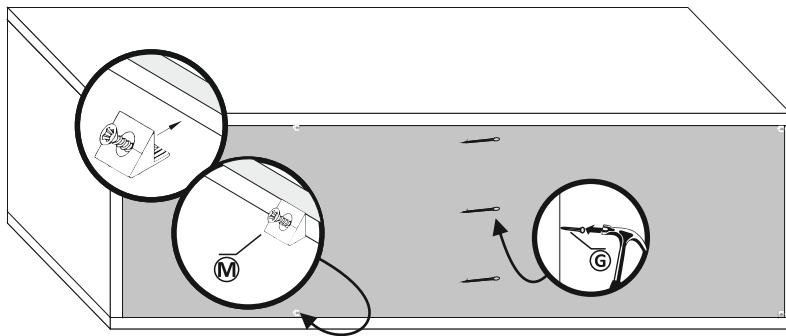
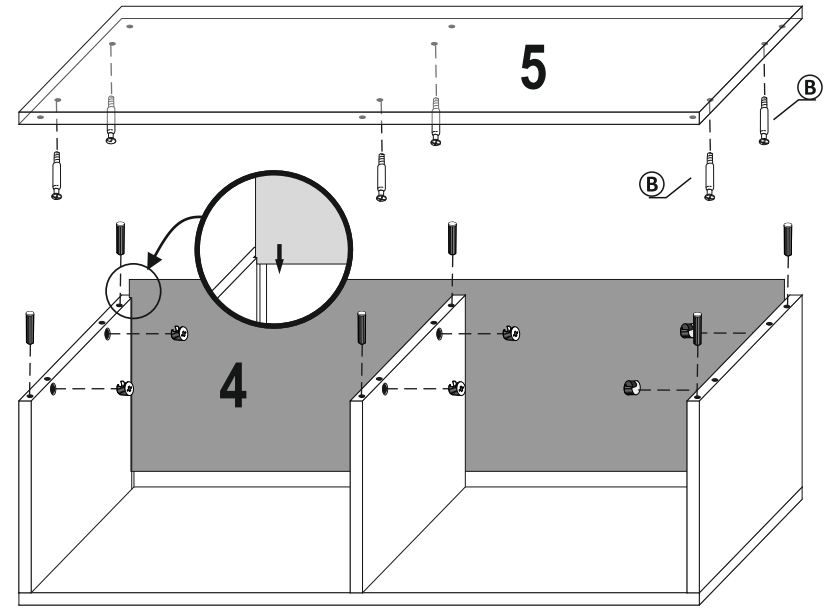
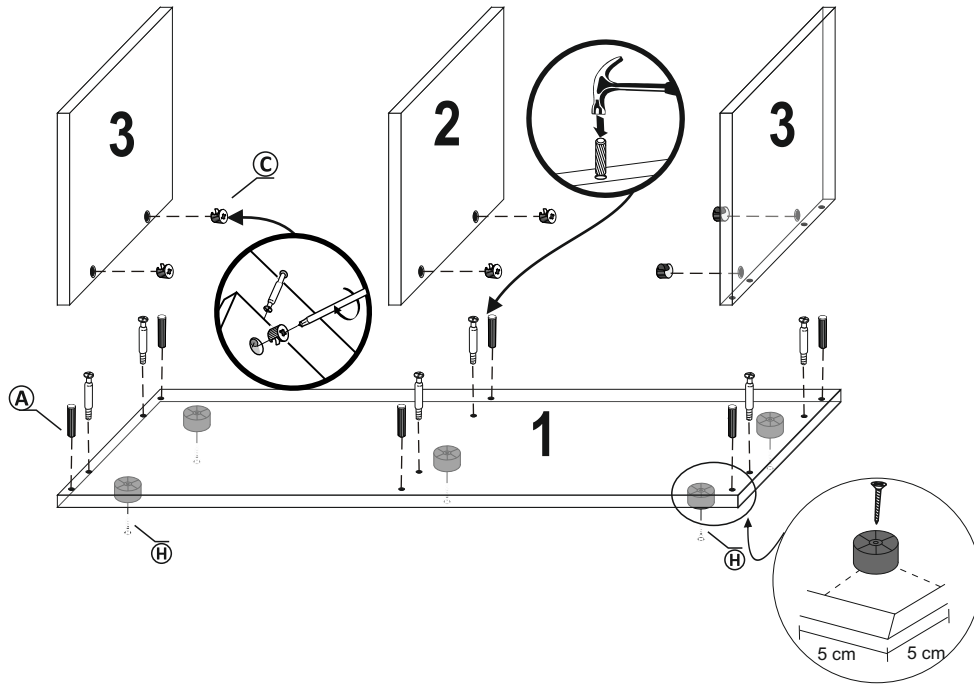
70



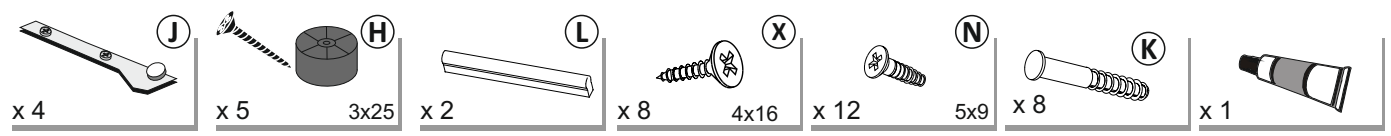
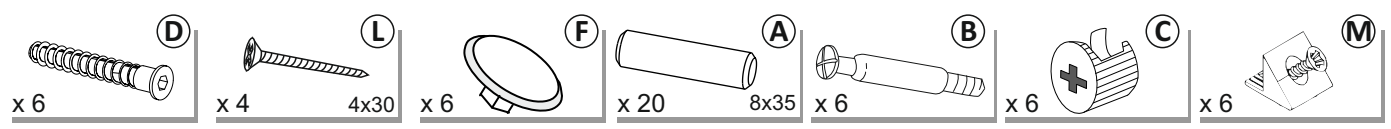
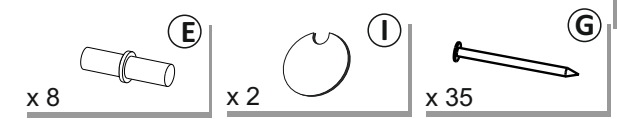
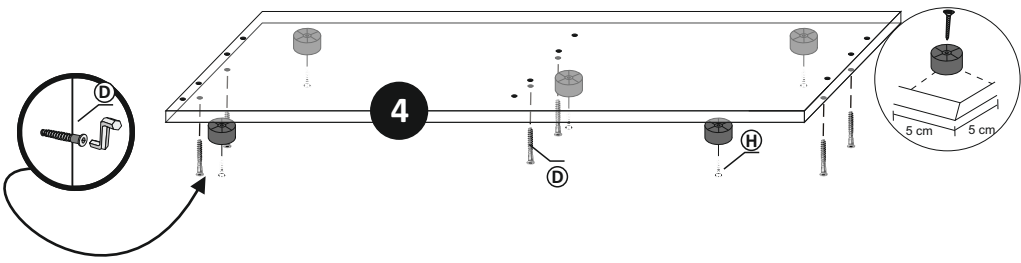
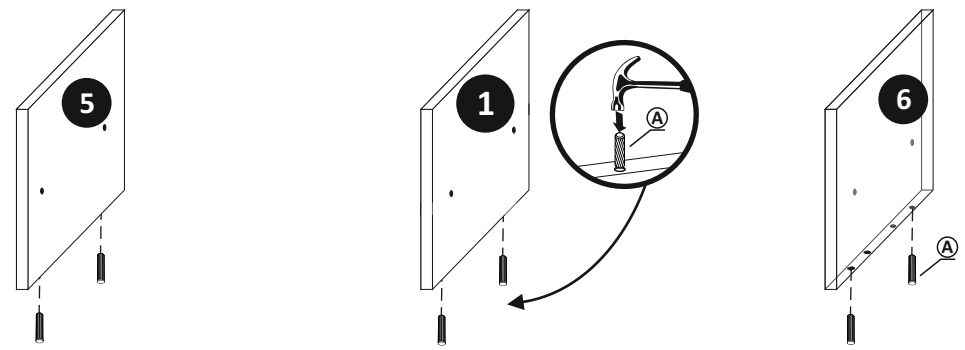
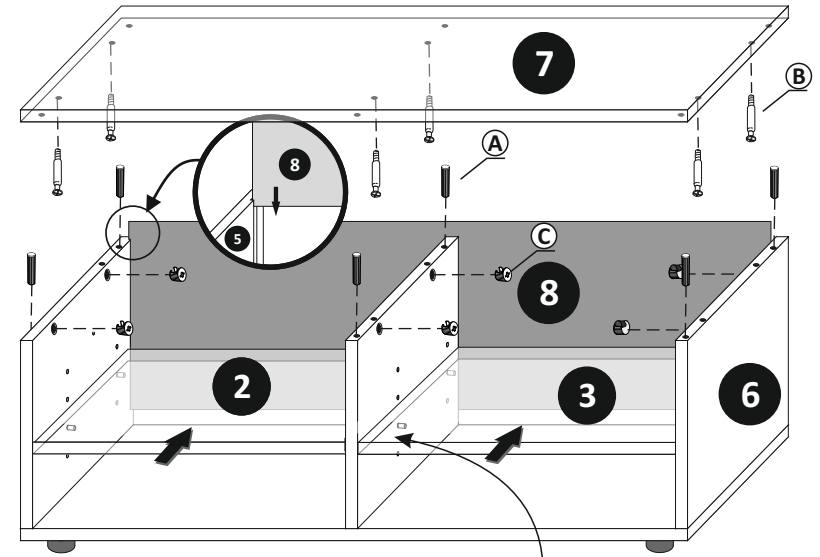
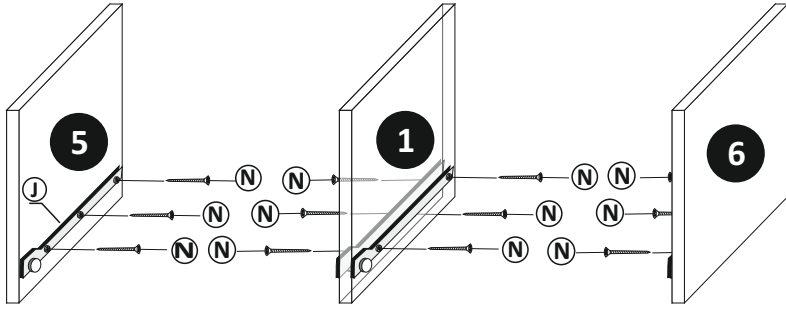
30

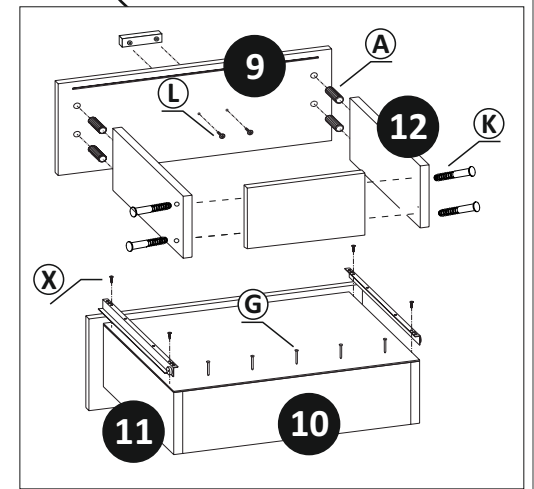
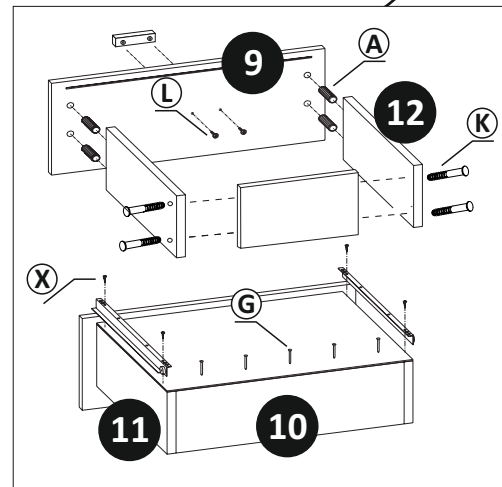
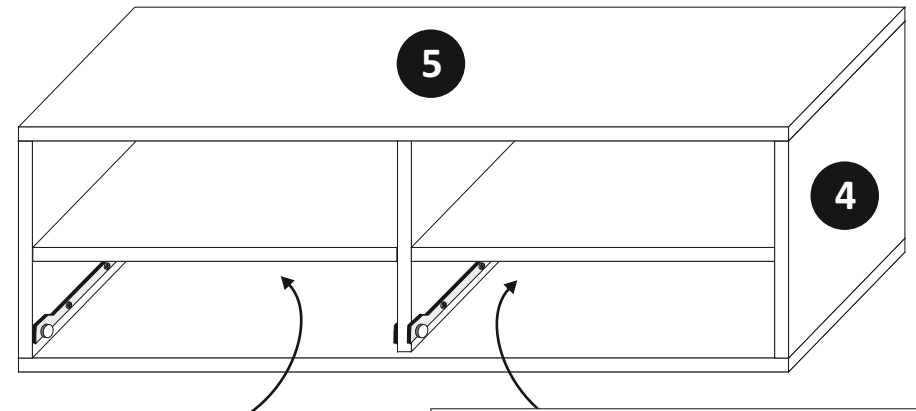
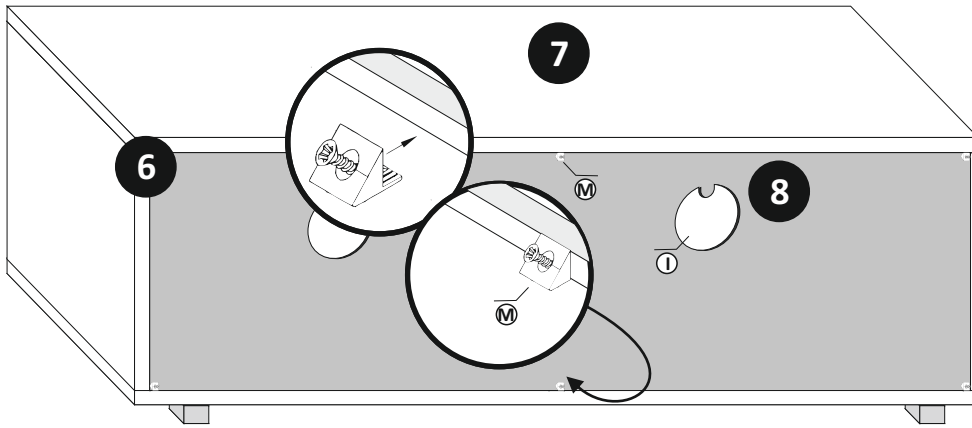
31

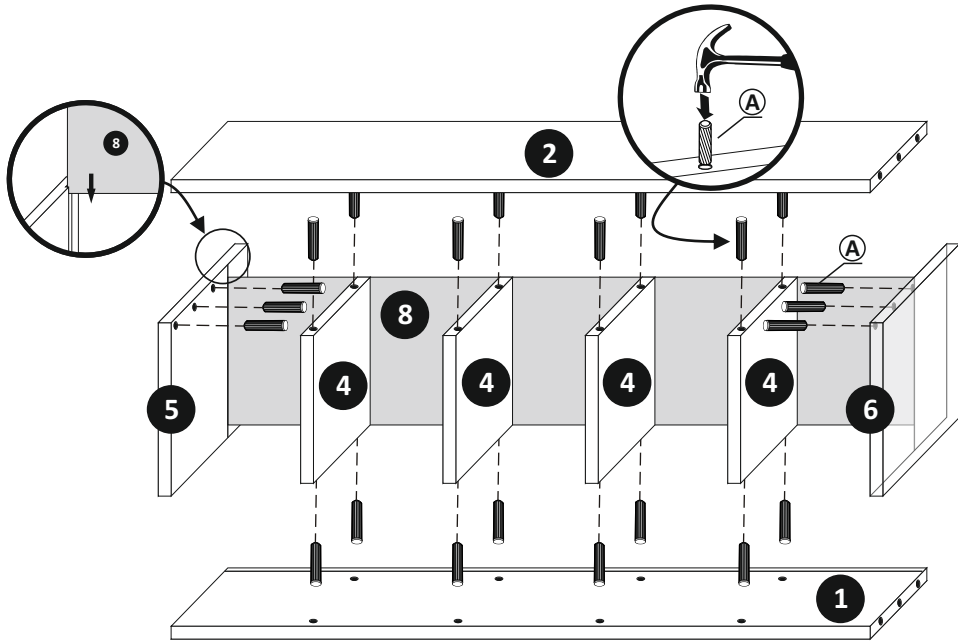
30



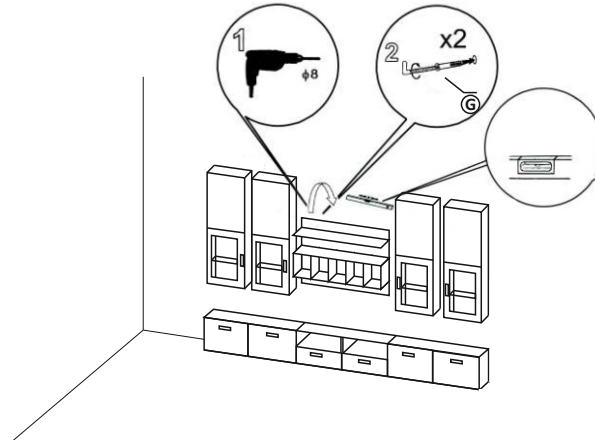
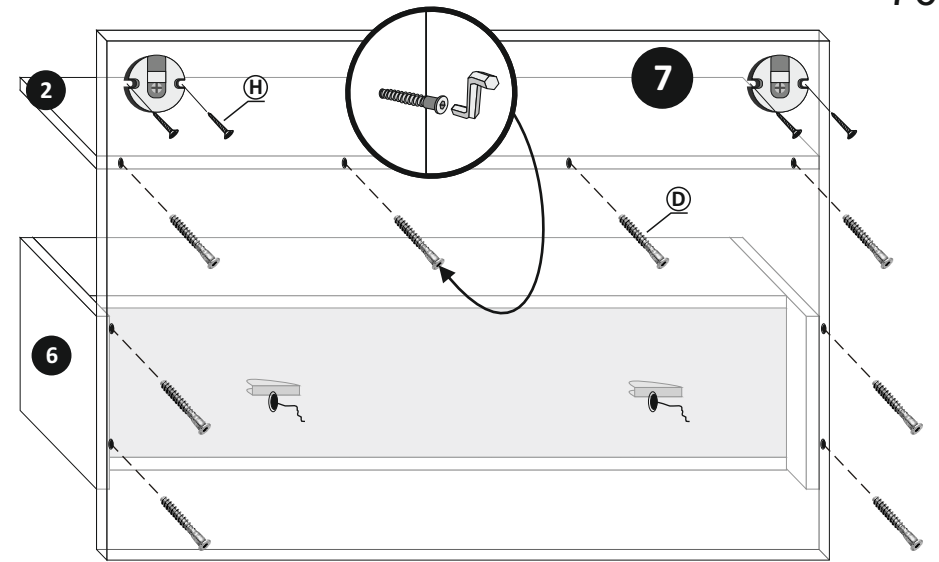
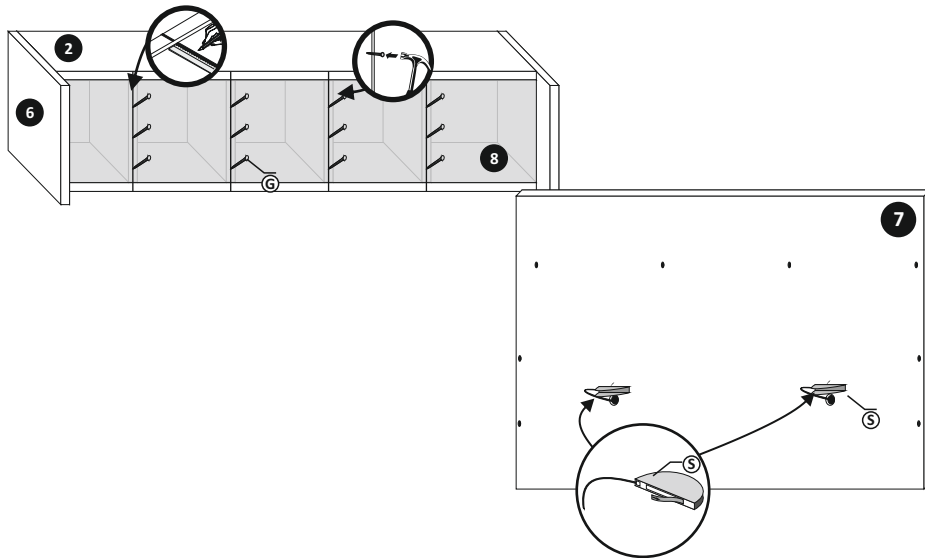
- | | | | | |
|------|----------|------|------|------------|
| x 12 | 4x30 x 4 | x 12 | x 12 | x 12 |
| x 10 | 4x16 x 8 | x 6 | x 4 | 3.5x25 x 4 |





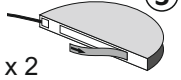



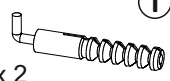
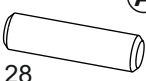


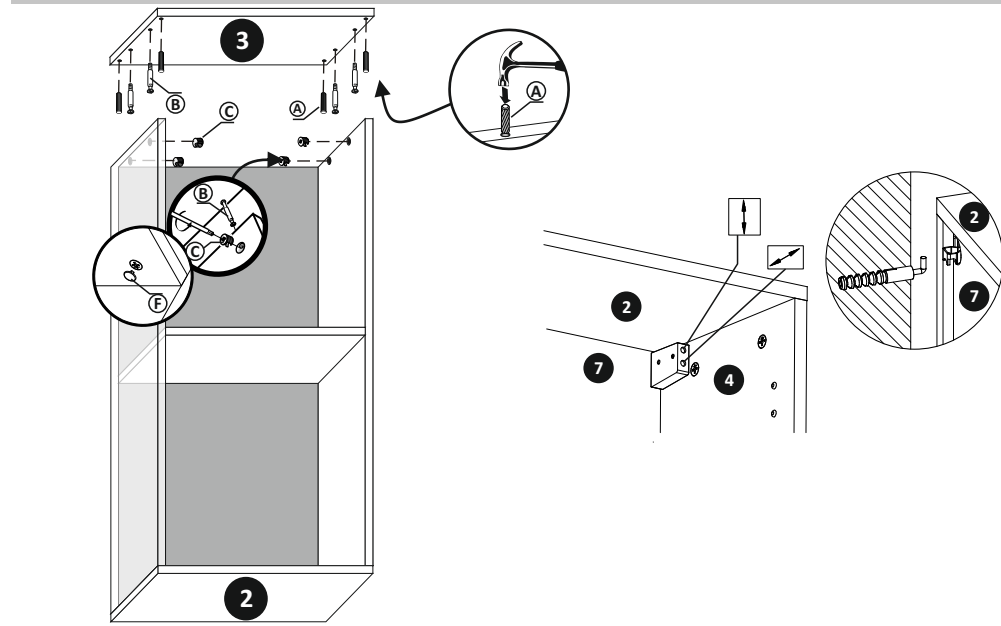
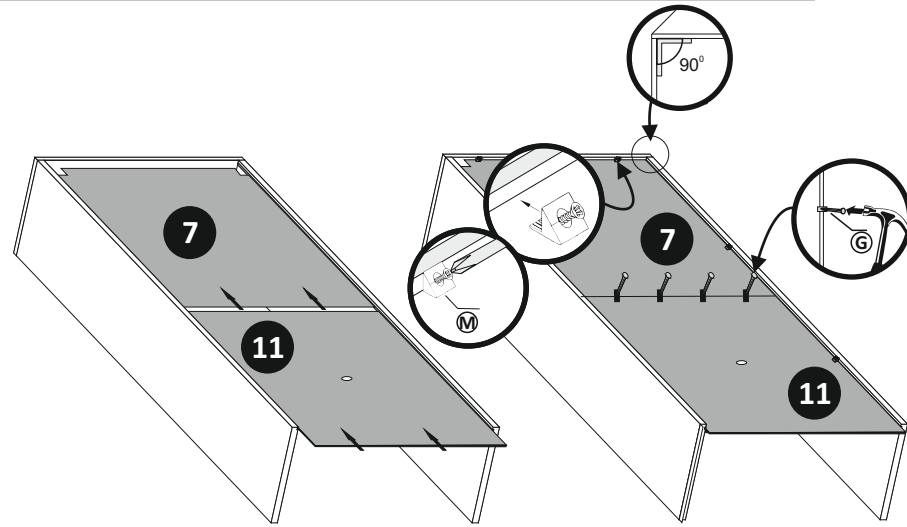
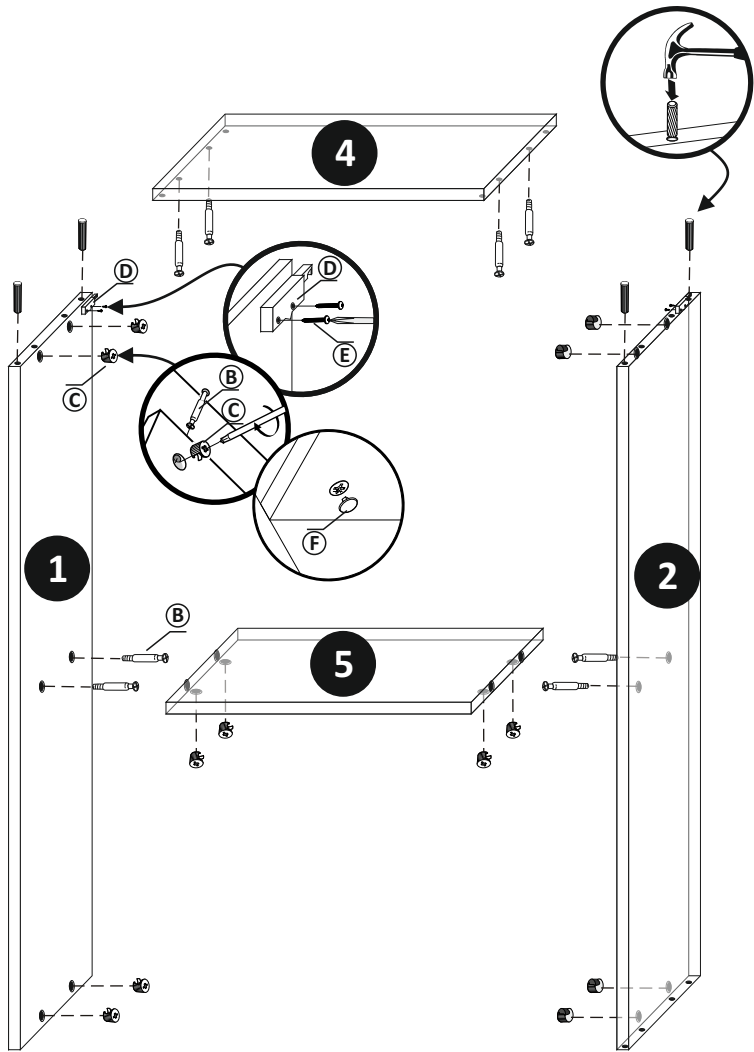



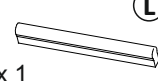
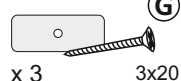
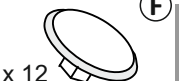



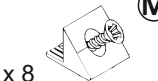
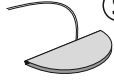
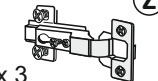
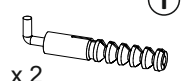
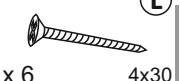
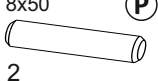
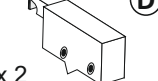

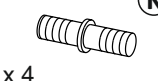
6



70

- | | | | |
|---|--|--|--|
| 
x 12 | 
x 8 | 
x 2 | 
x 4
3,5x13 |
| 
x 2 | 
x 1 | 
x 2 | 
x 28 |



- | | | | | | | | |
|---|---|--|--|--|--|--|---|
|  X
x 6 |  L
x 1 |  G
x 3 |  F
x 12 |  A
8x35
x 12 |  B
x 12 |  C
x 12 |  M
x 8 |
|  S
x 1 |  Z
x 3 |  T
x 2 |  L
x 6 |  P
8x50
x 2 |  D
x 2 |  E
x 8 |  K
x 4 |

