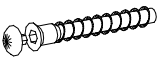
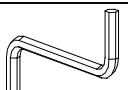





E 
 6,3 x 50 x16


W 
 x1

F 
 x4

A 
 8 x 30 x16

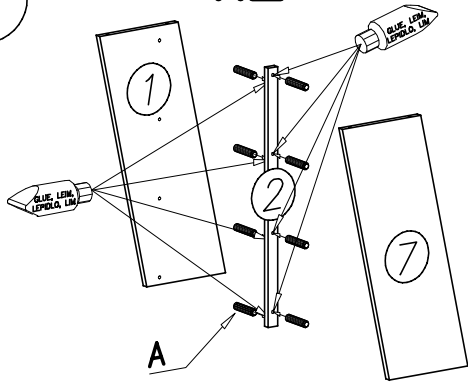
Z 
 GLUE, LEIM, LEPIDLO, LIM x1

K 
 6,3 x 30 x14

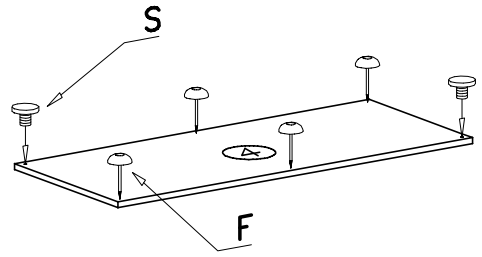
S 
 x2

I

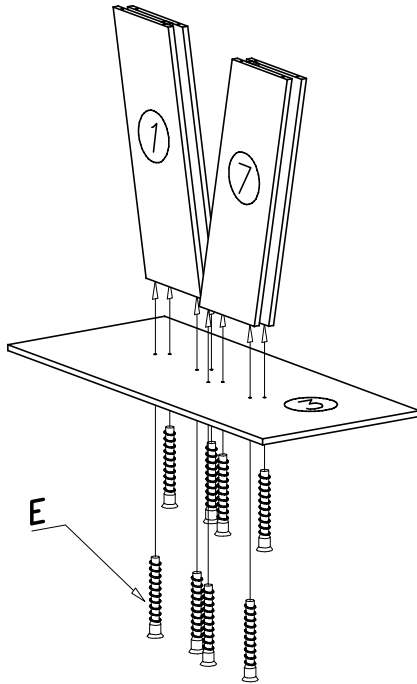
x2



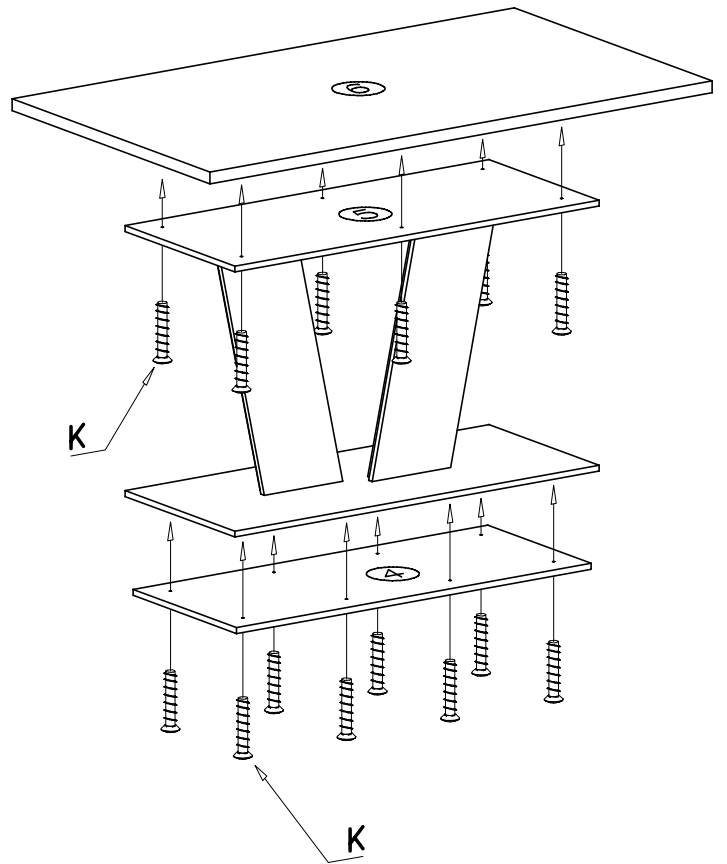
IV



II



V



III

